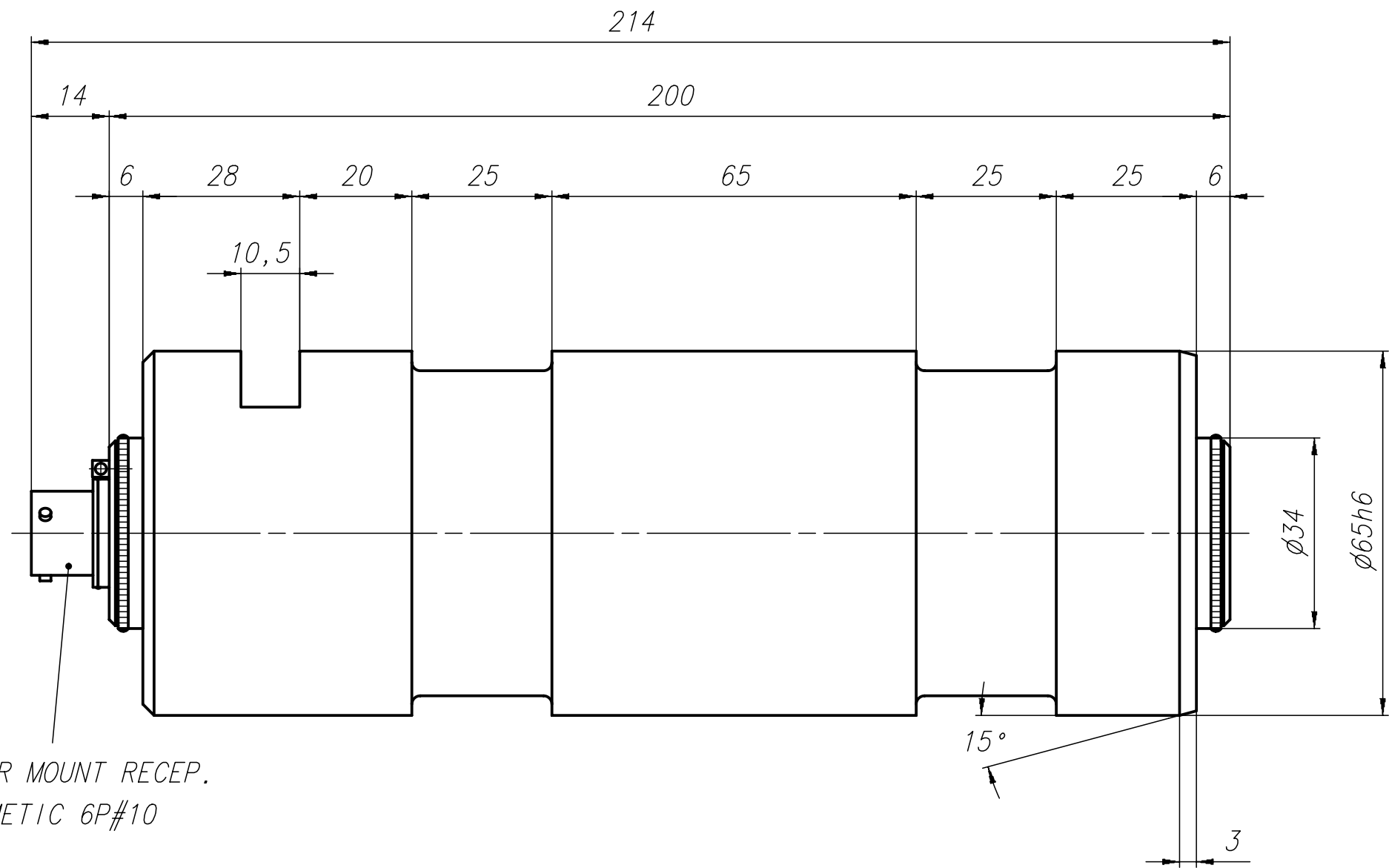
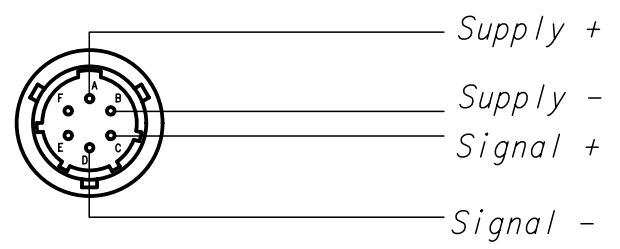
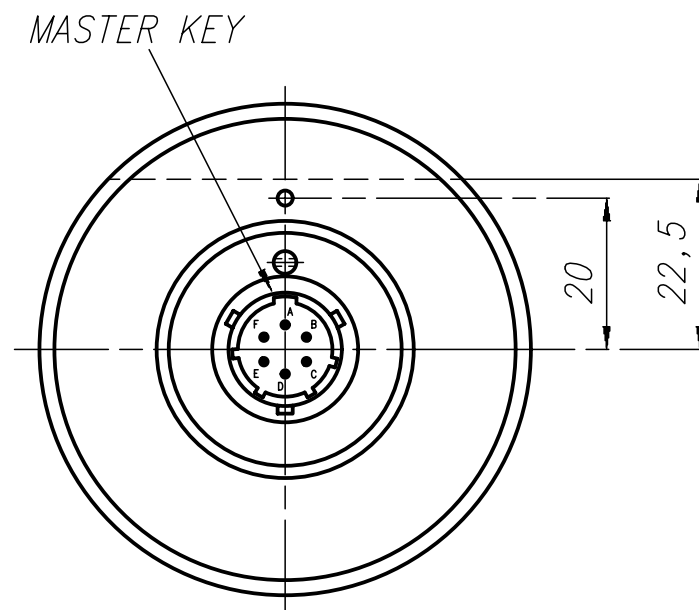


THE INFORMATION DISCLOSED HEREIN WAS ORIGINATED BY AND IS THE PROPERTY OF MAGTROL SA. MAGTROL SA RESERVES ALL PATENT, PROPRIETARY, DESIGN, USE, SALE, MANUFACTURING AND REPRODUCTION RIGHTS THERETO.



SOLDER MOUNT RECEPT.
HERMETIC 6P#10



Weight: ~5 Kg

6									
5									
4									
3									
2									
1	11.10.95	95454	C.B.	N.Buri	Updated				
Rev.	Date	PM	Drawn	Appr.	Repl. by :				
					Repl. for:				
Tolerances: ± mm to 50 mm; ± mm over 50 mm									
Material: 1.4057						Scale		Drawn 7.3.94 J-M K. Checked 14.3.94 Db Approved 14.3.94 Db	
Finish :						1:1		DRAWING N°	
LOAD MEASURING PIN LB 237 200kN						122-237-000V021			
P/N: 122-237-000-021			TYPE: LB 237						