

KTF SERIES

DISC COUPLING FOR TF SENSORS

FEATURES

- For use with Magtrol TF 309 to TF 312 and TF 313 to TF 317 torque flange sensors
- Compensation for axial, angular and radial misalignments
- Torsionally stiff
- Wear and maintenance-free
- Double-element
- Compact design
- High speed (up to 25000 rpm)
- Minimization of reaction forces
- G2.5 balancing according to ISO 1940
- Stainless steel



Fig. 1: KTF-25-28 | Coupling for Torque Flange sensors TF 215

INFORMATIONS

Customer side flange is not included, but can be supplied on request.

Couplings of size 17 to 110 are delivered with shipping / mounting bolts, which must be removed after installation.

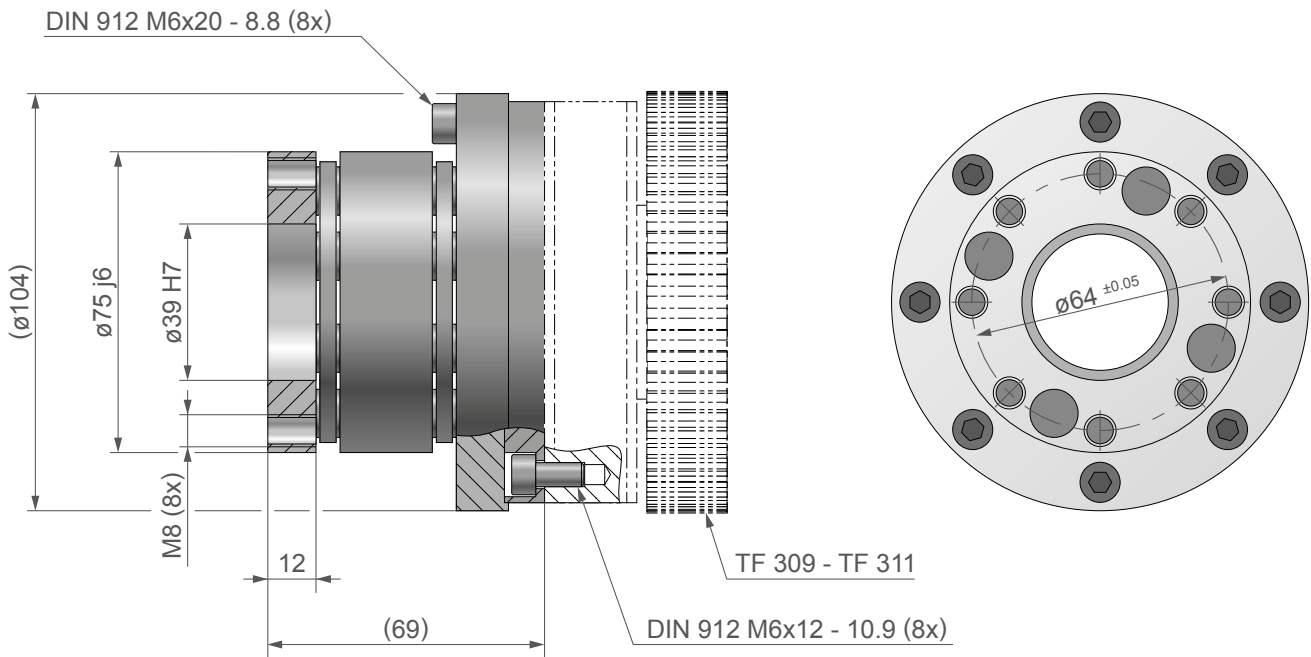
TECHNICAL FEATURES

MODEL	TORQUE FLANGE SENSOR	NOMINAL COUPLING TORQUE ^{a)}	MAX. COUPLING TORQUE ^{a)}	MAX. COUPLING SPEED ^{a) b)}	MISALIGNMENT			TORSIONAL STIFFNESS	MOMENT OF INERTIA	WEIGHT
					AXIAL	RADIAL	ANGULAR			
		N·m	N·m	rpm	mm	mm	°	N·m / rad	kg·m ²	kg
KTF-25-2.8	TF 309-311	280	500	25000	±2.0	±0.38	0.75° per disk pack	0.055 x 10 ⁶	0.003	2.16
KTF-25-4.5	TF 312	450	800		±2.4	±0.42		0.08 x 10 ⁶	0.006	3.55
KTF-25-17	TF 313-314	1700	3150	15000	±3.0	±0.42		0.65 x 10 ⁶	0.018	5.39
KTF-25-28	TF 215	2800	5000		±3.2	±0.45		1.10 x 10 ⁶	0.032	7.20
KTF-25-64	TF 216	6400	12500	10000	±4.2	±0.65		2.31 x 10 ⁶	0.136	17.60
KTF-25-110	TF 317	11000	20000		±5.0	±0.76		3.26 x 10 ⁶	0.251	26.00

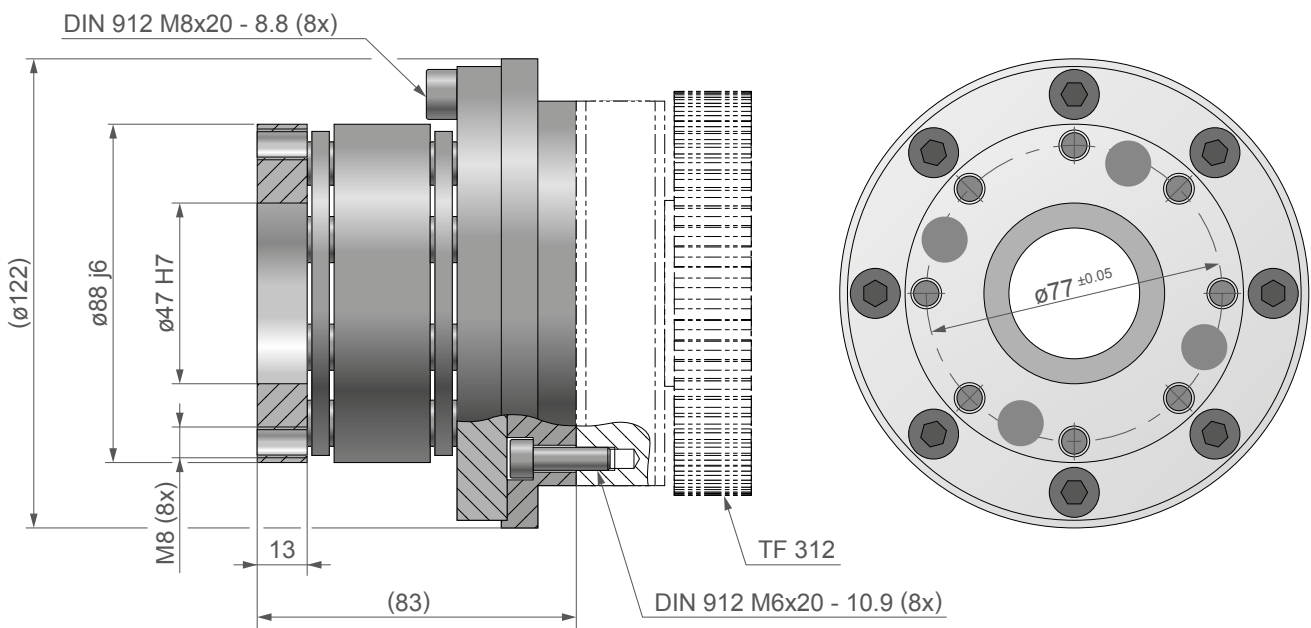
a) This values only refer to the coupling and not to the TF torque flange sensor. For this one, please refer to the corresponding datasheet

b) Versions with a higher speed range available on request

KTF-25-2.8 DIMENSIONS (FOR TF 309 - 311)

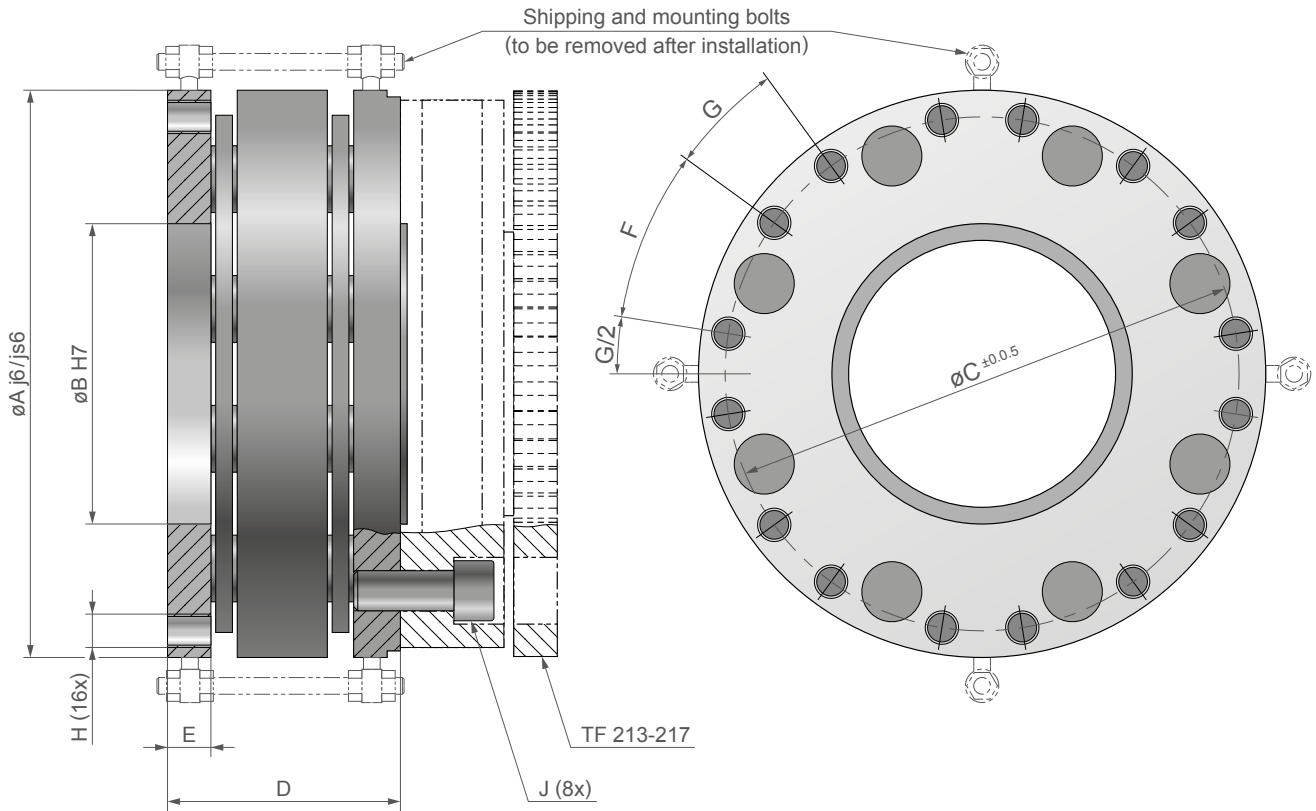


KTF-25-4.5 DIMENSIONS (FOR TF 312)



NOTE : 3D STEP files of most of our products are available on our website: www.magtrol.com ; other files are available on request.

KTF-25-17 - 110 DIMENSIONS (FOR TF 313 - 317)



NOTE: All values are in metric units. Dimensions are in millimeters.

MODEL	$\varnothing A$	$\varnothing B$	$\varnothing C$	D	E	F	G	H	J
KTF-25-17	$\varnothing 146_{j6}$	$\varnothing 82_{H7}$	$\varnothing 134$	74.8	12.5	27°	18°	M8 (16x)	DIN 912 M10x25 - 10.9 (8x)
KTF-25-28	$\varnothing 170_{js6}$	$\varnothing 90_{H7}$	$\varnothing 154$	69.8	13.0	27°	18°	M10 (16x)	DIN 912 M12x25 - 10.9 (8x)
KTF-25-64	$\varnothing 222_{j6}$	$\varnothing 118_{H7}$	$\varnothing 200$	99.8	19.1	30°	15°	M16 (16x)	DIN 912 M14x35 - 10.9 (8x)
KTF-25-110	$\varnothing 248_{js6}$	$\varnothing 135_{H7}$	$\varnothing 224$	116.0	22.8	30°	15°	M16 (16x)	DIN 912 M16x40 - 10.9 (8x)

NOTE: 3D STEP files of most of our products are available on our website: www.magtrol.com ; other files are available on request.

ORDERING INFORMATIONS

ORDERING NUMBER	KTF - 25 -	---
2.8	: for TF 309 - 311	
4.5	: for TF 312	
17	: for TF 313	
28	: for TF 215	
64	: for TF 216	
110	: for TF 317	

Example: coupling for a TF 312 torque flange sensor would be ordered as follows: **KTF-25-4.5**