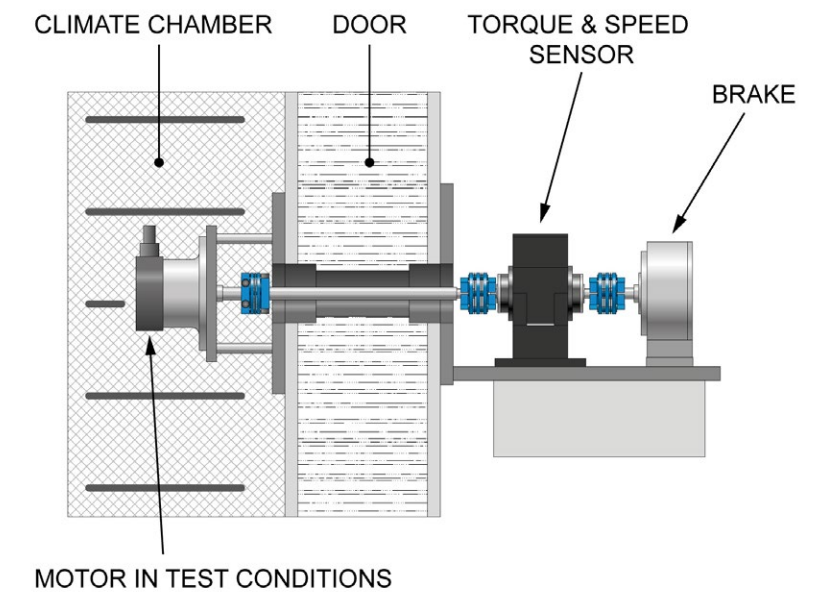




# MAGTROL

CUSTOM MOTOR TEST SYSTEM



## INNOVATIVE MOTOR TESTING IN CLIMATE CHAMBER

**NOW TESTING YOUR DEVICES IN REAL CONDITIONS WITH THE INNOVATIVE CLIMATE CHAMBER FOR MOTOR TESTING APPLICATIONS BY MAGTROL**

Magtrol provides motor testing components and turnkey solutions for all your motor testing needs. Typical test benches include: dynamometers, 4-quadrant dynamometers, tables, fixtures, control racks, power supplies, power analyzers, ohmmeters, and dedicated M-Test software. Other sensors can be integrated upon request.

To comply with the ever changing market requirements in the field of thermal testing, Magtrol provides test systems that integrate a climate chamber to ensure real world simulations during testing. The system records motor performance in a temperature range from  $-40^{\circ}\text{C}$  up to  $150^{\circ}\text{C}$ . Test sequences are executed at defined and stabilized temperature levels.

An integral component of any Magtrol Motor Test System, M-TEST software performs ramp, curve, manual, pass/fail (Go/No Go), coast, locked rotor, running heating and temperature tests in a manner best suited to the overall efficiency of the test system. M-TEST has the flexibility to test a variety of motors in a multitude of configurations. The data generated from this user-friendly program can be stored, displayed and printed in tabular, graphical formats or universal data reports and is easily imported into a spreadsheet.

Need specific Motor Testing ? Do not hesitate to challenge us !