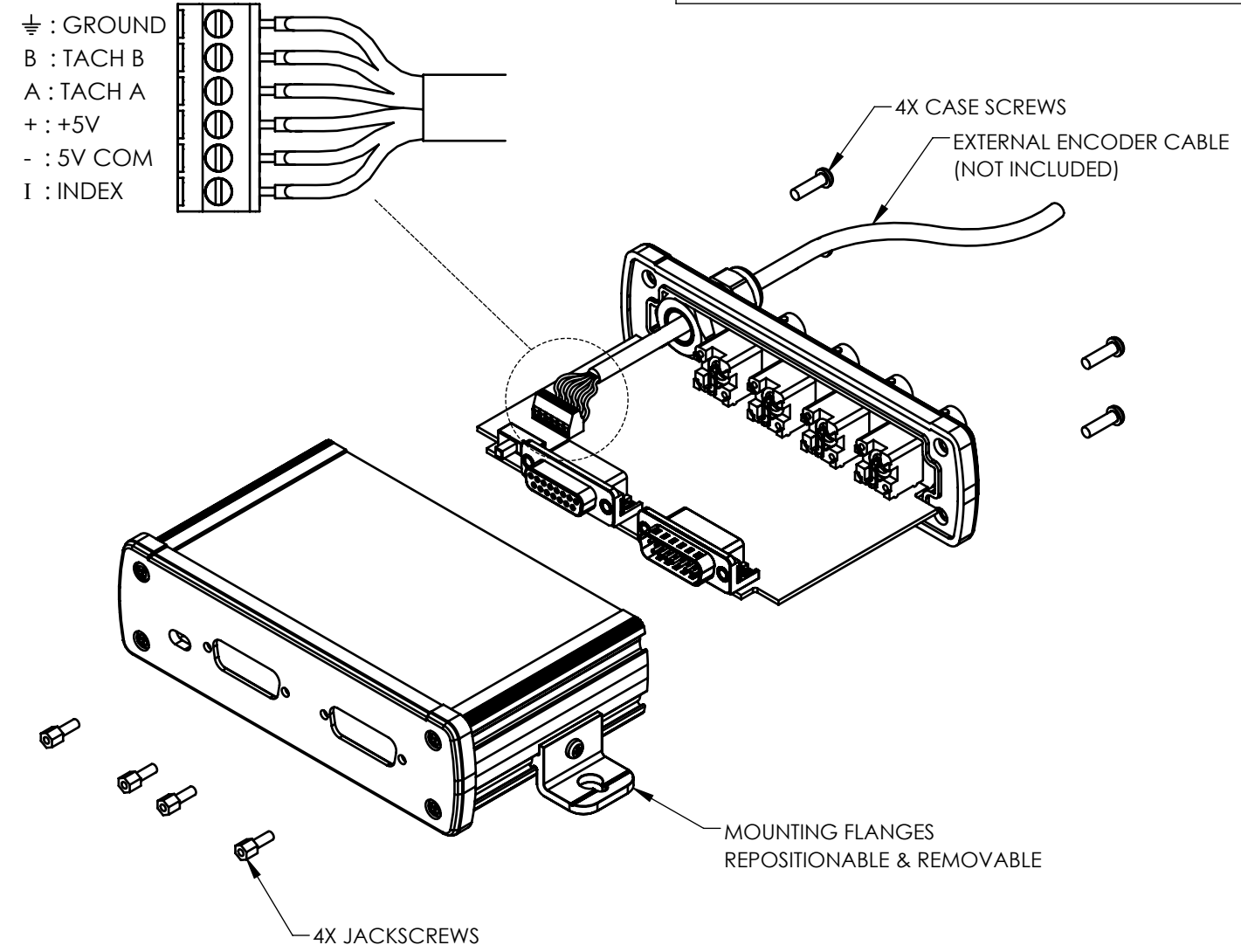


- TO CONNECT EXTERNAL ENCODER:
1. REMOVE 4X JACKSCREWS FROM D-SUB CONNECTORS
 2. REMOVE 4X CASE SCREWS FROM OPPOSITE END
 3. SLIDE BOARD OUT OF ENCLOSURE
 4. FEED CABLE THRU INLET AND CONNECT TO TERMINALS
 5. TIGHTEN CABLE GLAND
 6. REINSTALL BOARD INTO ENCLOSURE, REINSTALL HARDWARE



ENCODER SIGNAL SELECT SWITCH
(TRANSUCER/ EXT. ENCODER)

D-SUB 15F: TRANSUCER INPUT

LETTER	DATE	BY	ECO	DESCRIPTION
REVISIONS				

MATERIAL:	DESIGN	GD	06/01/2022
	DRAWN	MK	09/29/2022
FINISH:	CHECKED	GD	10/01/2022
THIRD ANGLE PROJECTION			
THIS DRAWING AND SPECIFICATION CONTAINS PROPRIETARY INFORMATION TO MAGTROL INC. ANY DISCLOSURE OR REPRODUCTION OF THIS DOCUMENT WITHOUT WRITTEN AUTHORIZATION FROM MAGTROL INC. IS EXPRESSLY PROHIBITED			

UNLESS OTHERWISE SPECIFIED:
 DIMENSIONS ARE IN MILLIMETERS
 DIAMETERS CONCENTRIC: .08 TIR
 FACES PERPENDICULAR: .08
 INTERPRETATION PER ASME Y14.5M-1994
 REMOVE ALL BURRS AND BREAK SHARP EDGES 0.13/0.25 X 45°
 INSIDE CORNERS TO BE R 0.5 MAX
 TOLERANCES:
 .X ± .25 X ± .4
 .XX ± .13 X° ± 1°
 SURFACE FINISH 3.2 µm MAX

MAGTROL INC. 70 GARDENVILLE PKWY, W. BUFFALO, NEW YORK 14224-1322		TITLE:	
		SBB15 SIGNAL BREAKOUT BOX	
USED ON: -	SIMILAR TO: -	DWG NO:	REV
		SBB15i	-
SIZE	SCALE	SHEET #	
B	1:2	1 OF 1	