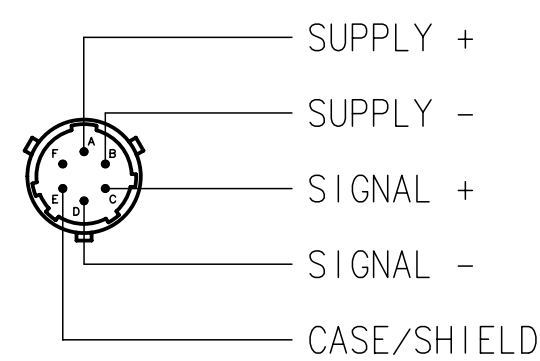
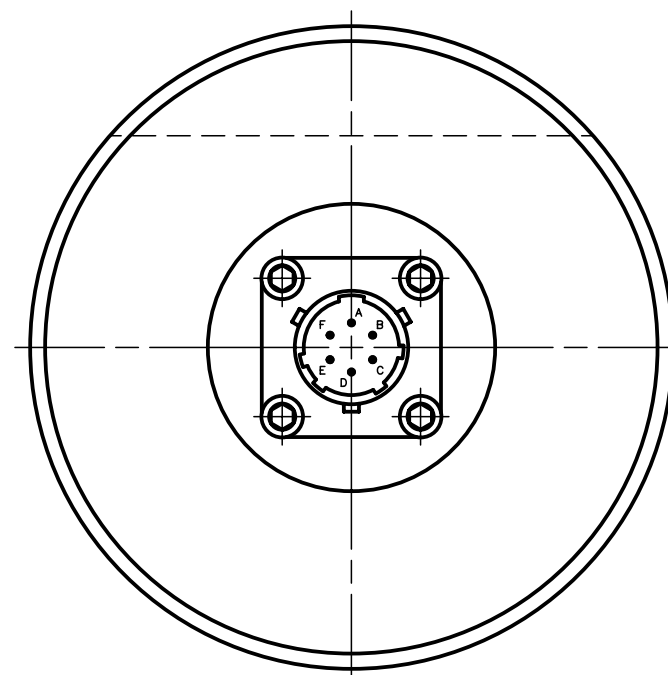
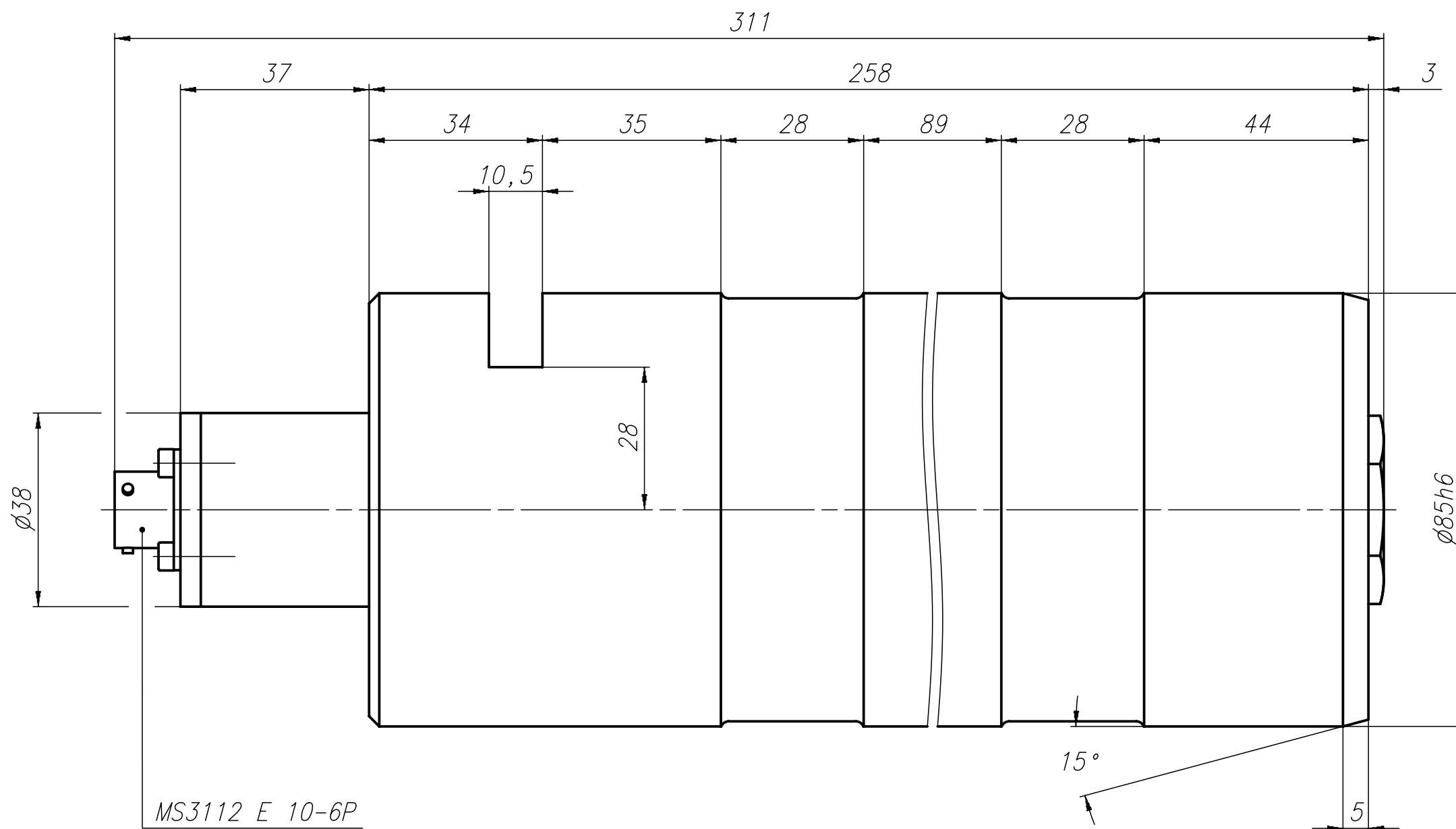


THE INFORMATION DISCLOSED HEREIN WAS ORIGINATED BY AND IS THE PROPERTY OF MAGTROL SA. MAGTROL SA RESERVES ALL PATENT, PROPRIETARY, DESIGN, USE, SALE, MANUFACTURING AND REPRODUCTION RIGHTS THERETO.



6										
5										
4										
3										
2										
1										
Rev.	Date	PM	Drawn	Appr.	Repl. by :					
					Repl. for:					
Tolerances: \pm mm to 50 mm; \pm mm over 50 mm								MAGTROL SA		
Material: 1.4057										
Finish :						Scale		Drawn	19.09.03	C.S.
						1:1		Checked		
								Approved	19.09.03	N.Buri
LOAD MEASURING PIN WITH ELECTRONIC 0-10V 500kN							DRAWING N°			
P/N: 422-218-000-11X					TYPE: LU 218/11X		422-218-000V111			