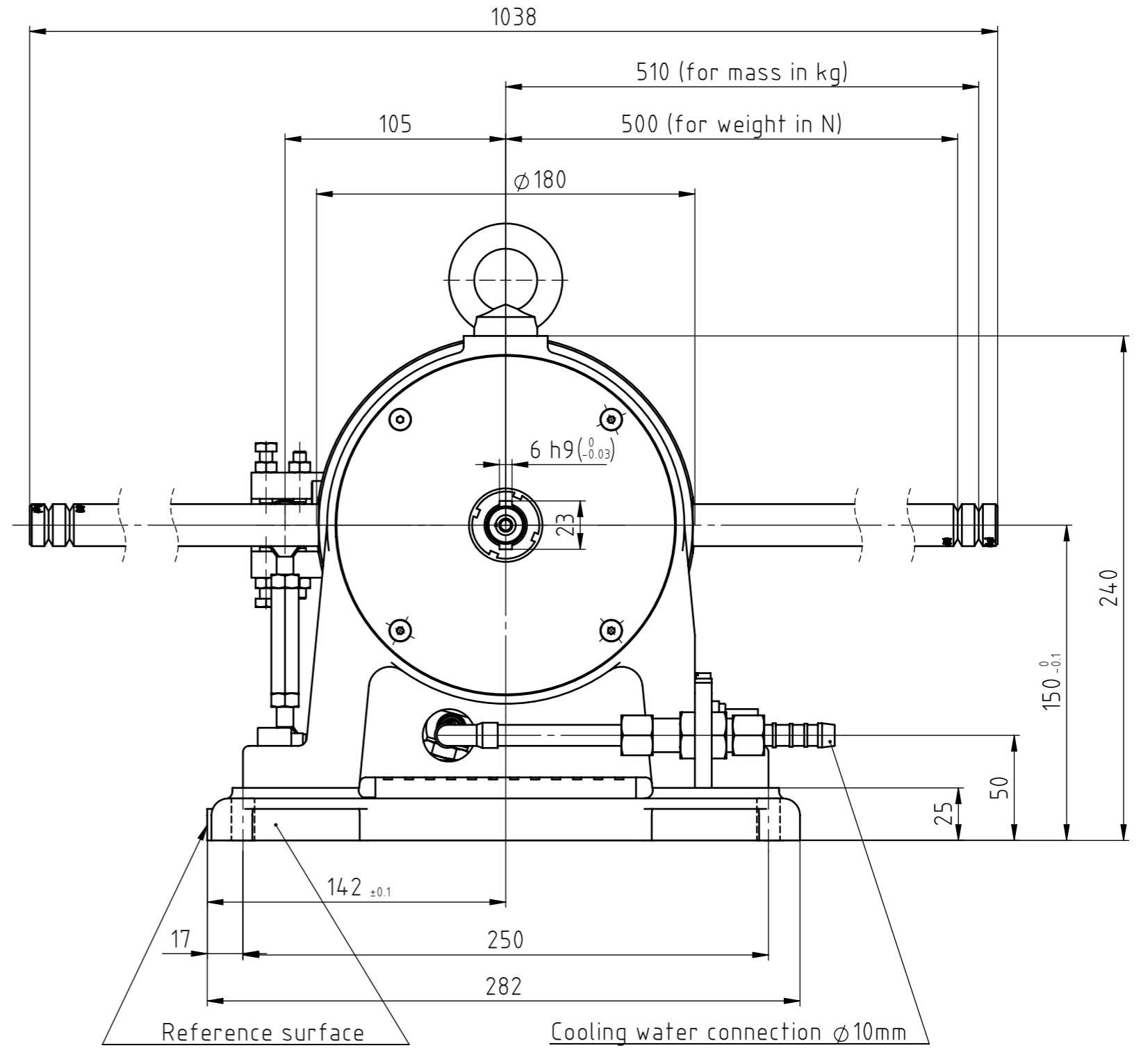
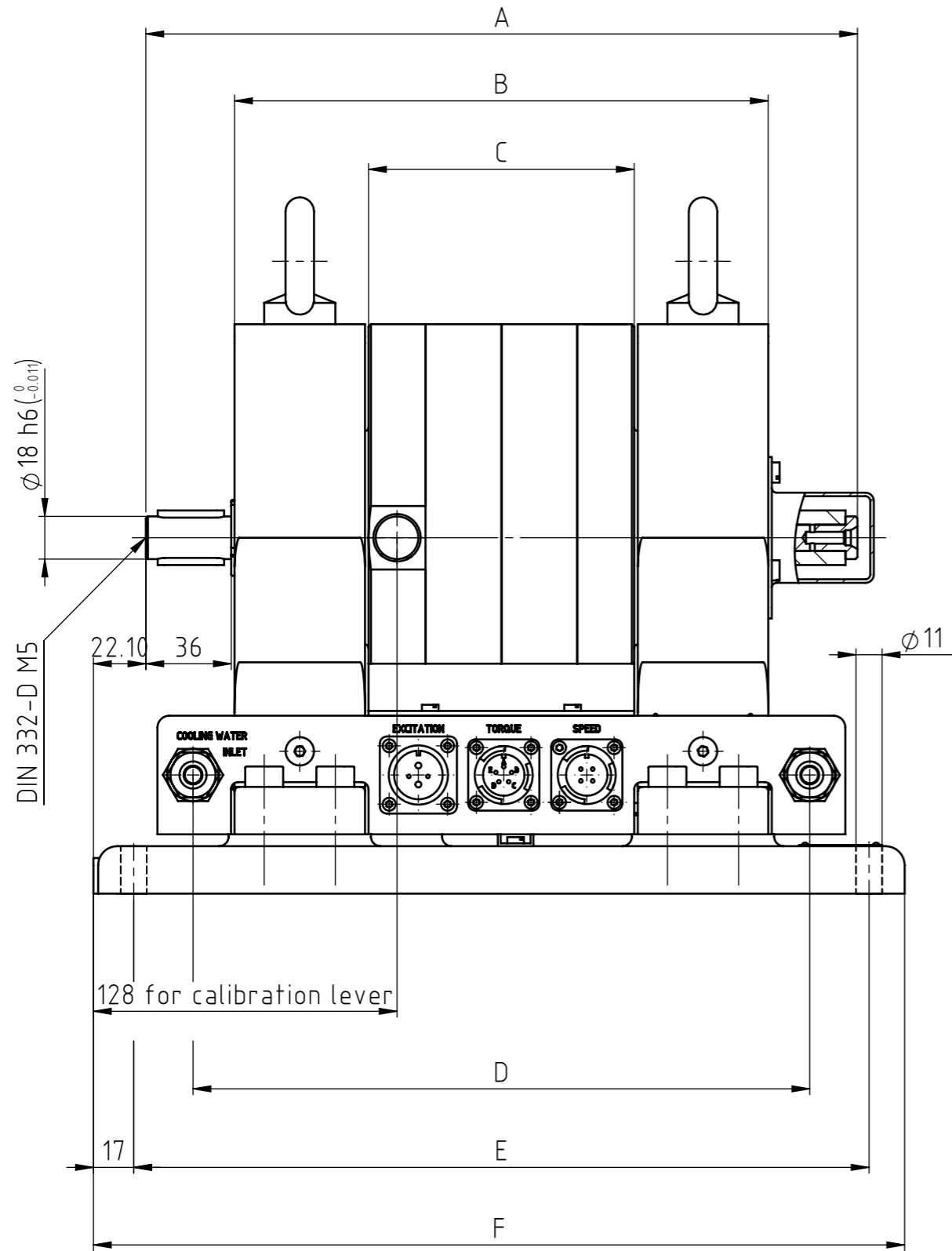


THE INFORMATION DISCLOSED HEREIN WAS ORIGINATED BY AND IS THE PROPERTY OF MAGTROL SA. MAGTROL SA RESERVES ALL PATENT PROPRIETARY, DESIGN, USE, SALE, MANUFACTURING AND REPRODUCTION RIGHTS THERETO.



Type	A	B	C	D	E	F
1WB65 / 1PB65	300	225	112	260	310	342
2WB65 / 2PB65	370	295	182	330	380	412

6						
5						
4						
3						
2	02.09.19	18014	ajoy	blot	Text modification (Nm) by (for mass in kg) and (kpm) by (for weight in N), and remove the text "Calibratio with weight in kg"	
1	03.12.99	99269	A.Rappo	N.Buri	New drawing in CAD	
Rev.	Date	PM	Drawn	Appr.	Repl. by : Repl. for :	

Tolerances: ± mm to 50mm, ± mm over 50mm

Material:

Finish:

Dynamometers
1-2WB65 1-2PB65

Scale: 1:2.5

DRAWING N°
312-101-000V101

Drawn	26.01.82	A. Rappo
Checked		
Approved		

