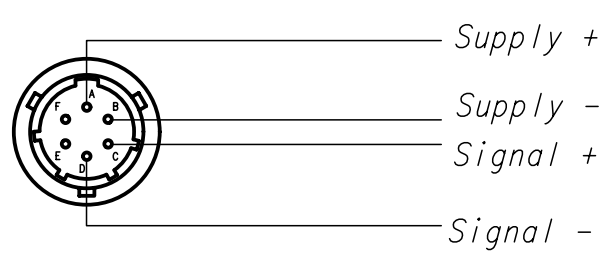
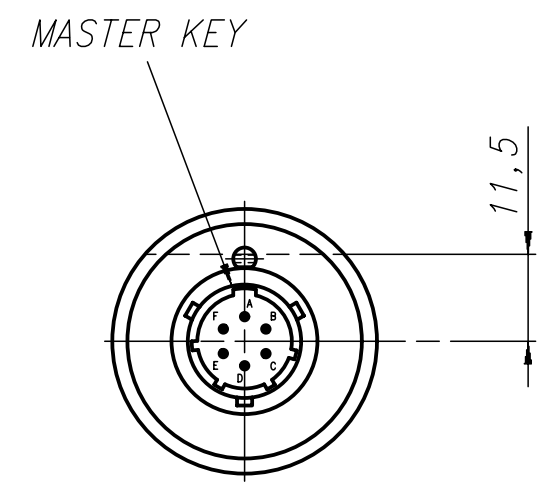
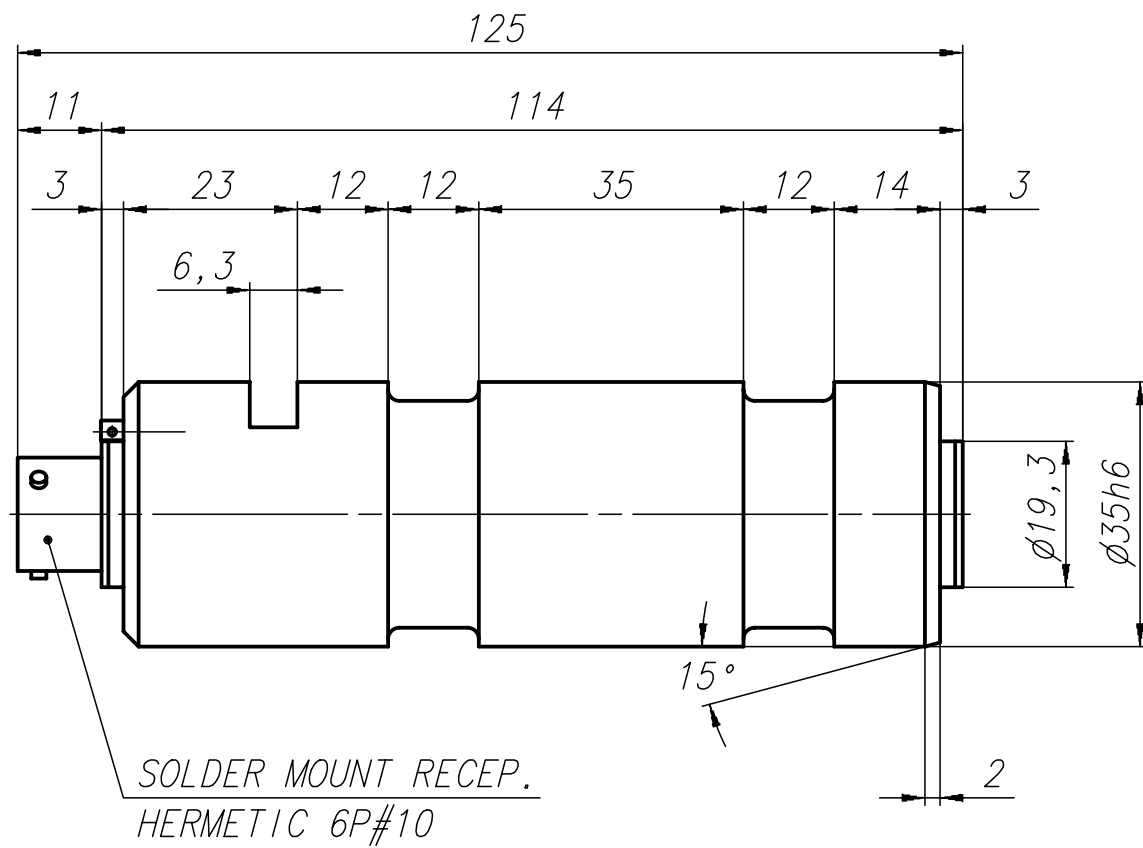


THE INFORMATION DISCLOSED HEREIN WAS ORIGINATED BY AND IS THE PROPERTY OF MAGTROL SA. MAGTROL SA RESERVES ALL PATENT, PROPRIETARY, DESIGN, USE, SALE, MANUFACTURING AND REPRODUCTION RIGHTS THERETO.



Weight: ~ 0,7 Kg.

6									
5									
4									
3									
2									
1									
Rev.	Date	PM	Drawn	Appr.	Repl. by :				
					Repl. for:				
Tolerances: \pm mm to 50 mm; \pm mm over 50 mm								MAGTROL SA	
Material: 1.4057						Scale 1:1	Drawn	8.4.94	J.-M. K.
Finish :							Checked	27.4.94	Db
						Approved	27.4.94	Bi	
LOAD MEASURING PIN LB 234 50kN						DRAWING N°			
P/N: 122-234-000-021						TYPE: LB 234		122-234-000V021	