
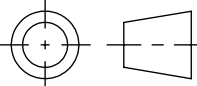


NOTES:

1. DIMENSIONS ARE FOR REFERENCE ONLY; DIMENSIONS IN [] ARE INCHES.
2. TABLE IS DESIGNED FOR LONG BASE HD-100, 400, 500 AND 700 SERIES DYNAMOMETERS.
3. FOR TABLES ORDERED WITH HD-710 AND HD-715 DYNAMOMETERS, BLOWERS WILL BE SHIPPED MOUNTED UNDER THE TABLE TOP (A BLOWER MOUNTING HARDWARE KIT MAY BE PURCHASED IF TABLE IS NOT ORDERED AT THE SAME TIME AS THE DYNAMOMETER).

MATERIAL: -	DESIGN	DTW	12/06/04	 MAGTROL INC. 70 GARDENVILLE PKWY, W. BUFFALO, NEW YORK 14224-1322
	DRAWN	JEF	03/25/09	
FINISH: -	CHECKED	DTW	06/18/09	TITLE: TAB-1457L, DYNAMOMETER TABLE ASSEMBLY
	THIRD ANGLE PROJECTION 			UNLESS OTHERWISE SPECIFIED: DIMENSIONS ARE IN MILLIMETERS, DIAMETERS CONCENTRIC: 0.08 TIR, FACES PERPENDICULAR: 0.08 INTERPRETATION PER ASME Y14.5M-1994 REMOVE ALL BURRS AND BREAK SHARP EDGES 0.13/0.25 X 45°, ALL INSIDE CORNERS TO BE R 0.5 MAX. TOLERANCES: X ±0.4 X.XX ±0.13 X.X ±0.25 ANG. ±1° SURFACE FINISH 3.2 µm MAX. U.O.S.
THIS DRAWING AND SPECIFICATION CONTAINS PROPRIETARY INFORMATION TO MAGTROL INC. ANY DISCLOSURE OR REPRODUCTION OF THIS DOCUMENT WITHOUT WRITTEN AUTHORIZATION FROM MAGTROL INC. IS EXPRESSLY PROHIBITED				USED ON: - SIMILAR TO: 005032 DRAWING NUMBER: <div style="text-align: center; font-size: 1.2em;">005477</div> REV -
SIZE B	SCALE 1:12	SHEET # 2 OF 2		