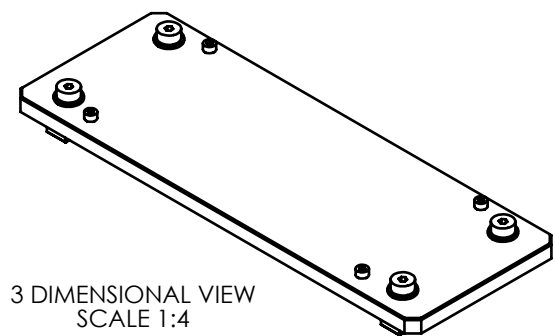
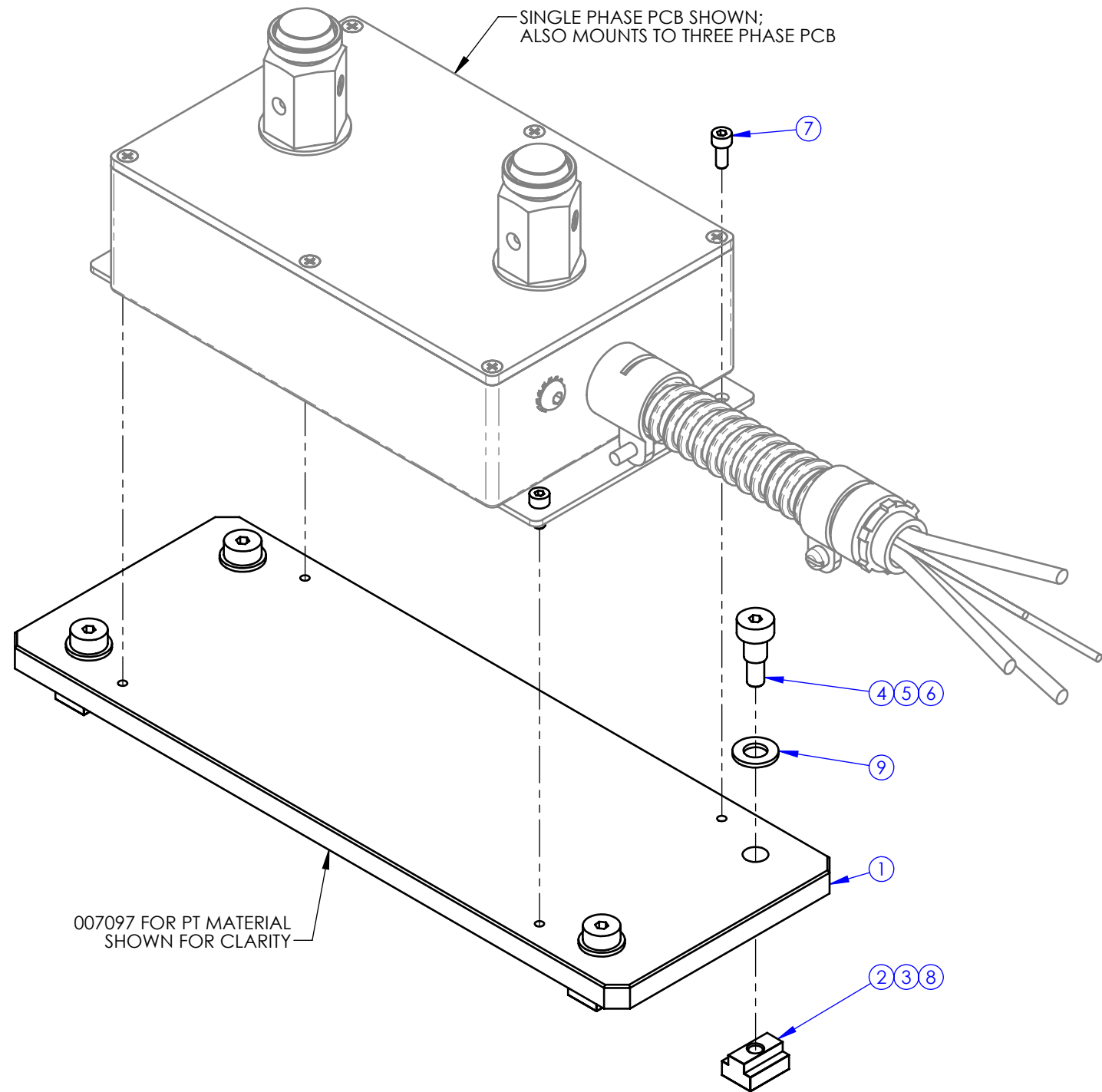
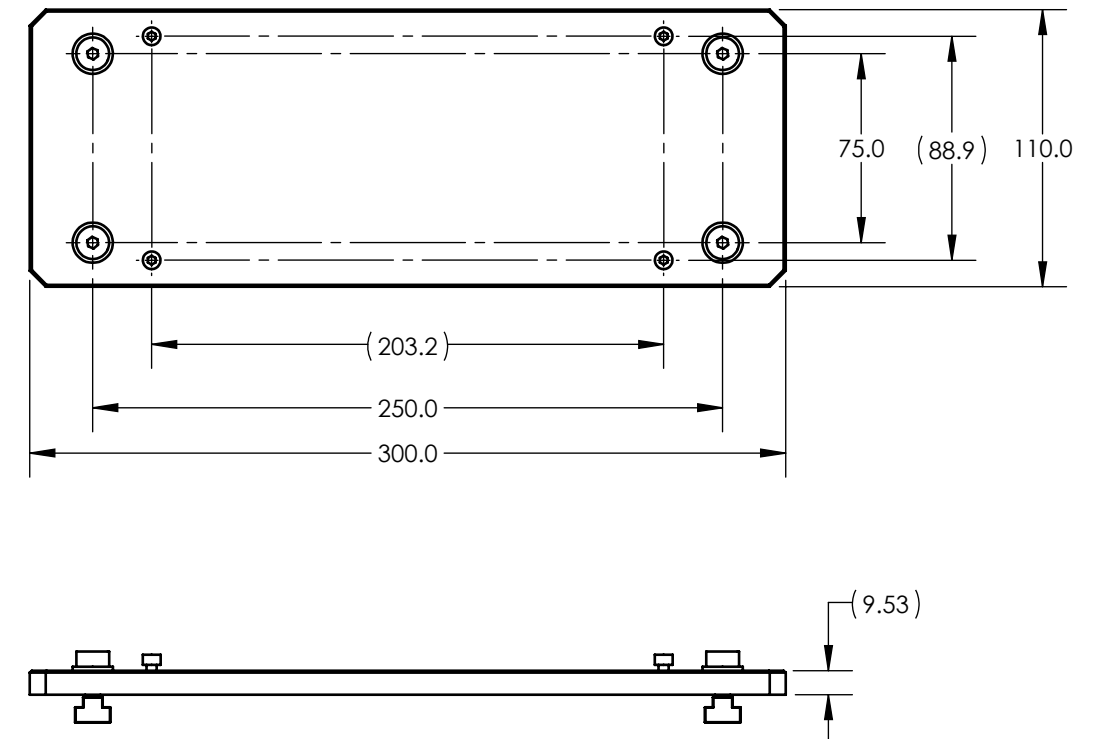



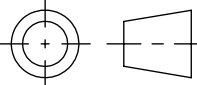
SOLID MODEL AVAILABLE



ITEM NO.	DESCRIPTION	STOCK CODE: FOR T-SLOT WIDTH: USED ON:		
		007097 8mm PT MATERIAL QTY	007098 10mm 700 SERIES QTY	007099 12mm 800 SERIES QTY
1	BASEPLATE, PCB	1	1	1
2	T-NUT, M8x1.25 X 10mm SLOT WIDTH	-	4	-
3	T-NUT, M6x1.0 X 8mm SLOT WIDTH	4	-	-
4	SHSB Ø8 X 10, M6x1.0	4	-	-
5	SHCS M8x1.25 X 22mm 18-8 SS	-	4	-
6	SHCS M8x1.25 X 30mm 18-8 SS	-	-	4
7	SHCS M4x0.7 X 10mm 18-8 SS	4	4	4
8	T-NUT M8x1.25 X 12mm SLOT WIDTH	-	-	4
9	WASHER, FLAT M8 18-8 SS	4	4	4



INSTALLATION DRAWING

MATERIAL: -	DESIGN	AJC	03/14/14	 MAGTROL INC. 70 GARDENVILLE PKWY, W. BUFFALO, NEW YORK 14224-1322
	DRAWN	AJC	03/14/14	
FINISH: -	CHECKED	JEF	03/17/14	TITLE: POWER CONNECTION BOX MOUNTING KIT
	THIRD ANGLE PROJECTION 			UNLESS OTHERWISE SPECIFIED: DIMENSIONS ARE IN MILLIMETERS DIAMETERS CONCENTRIC: .08 TIR FACES PERPENDICULAR: .08 INTERPRETATION PER ASME Y14.5M-1994 REMOVE ALL BURRS AND BREAK SHARP EDGES 0.13/0.25 X 45° INSIDE CORNERS TO BE R 0.5 MAX TOLERANCES: .X ± .25 X ± .4 .XX ± .13 X° ± 1° SURFACE FINISH 3.2 µm MAX
THIS DRAWING AND SPECIFICATION CONTAINS PROPRIETARY INFORMATION TO MAGTROL INC. ANY DISCLOSURE OR REPRODUCTION OF THIS DOCUMENT WITHOUT WRITTEN AUTHORIZATION FROM MAGTROL INC. IS EXPRESSLY PROHIBITED				USED ON: - SIMILAR TO: - DWG NO: PCB MOUNTING KIT REV -
SIZE		SCALE	SHEET #	
B		1:3		