

SOLID MODEL AVAILABLE

MODEL NUMBER	STOCK CODE	TERMINAL WIRE SIZE	LENGTH	OUTPUT CONNECTION WIRE			
				RATING	POWER (BLACK)	SENSE (WHITE)	GROUND (GREEN/YELLOW STRIPE)
PCB-1-1-3	006835	12 - 18 AWG	3M	105°C 600 V	12 AWG	18 AWG	12 AWG
PCB-1-1-5	006836		5M				
PCB-1-2-3	006837	8 - 12 AWG	3M		8 AWG	18 AWG	8 AWG
PCB-1-2-5	006838		5M				
PCB-1-3-3	006839	18 - 24 AWG	3M		18 AWG	18 AWG	18 AWG
PCB-1-3-5	006840		5M				

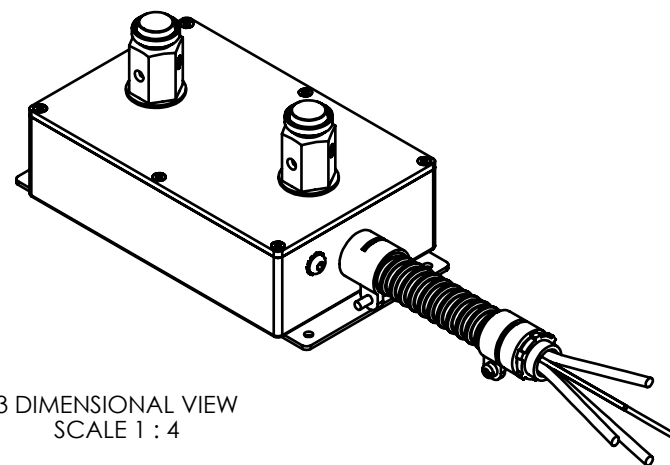
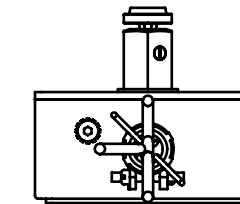
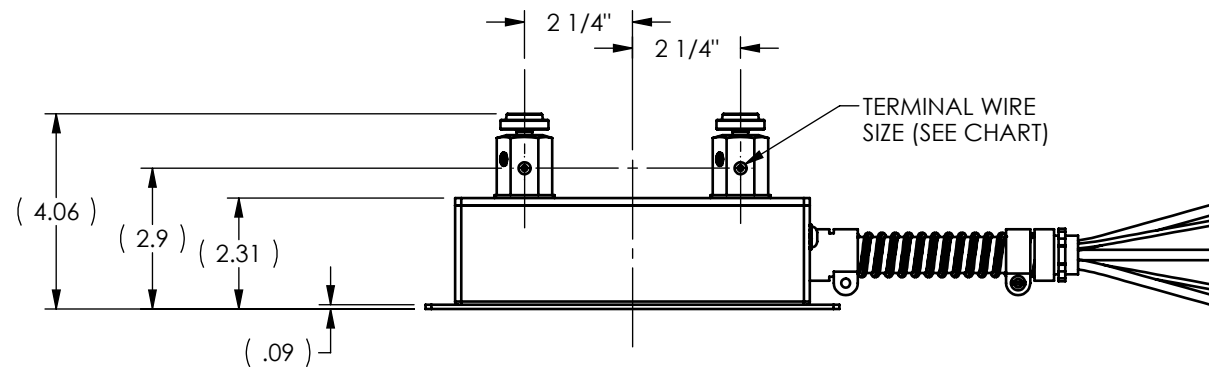
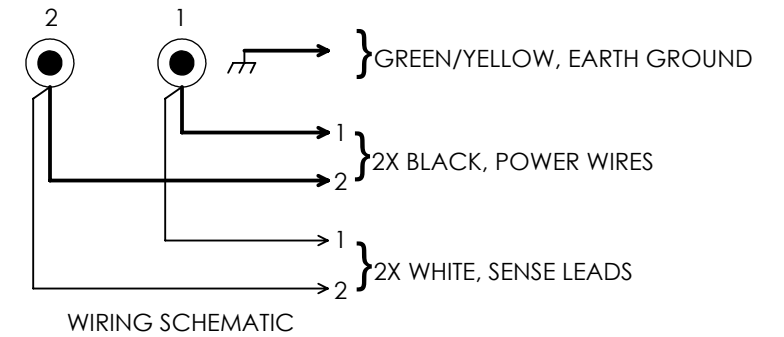
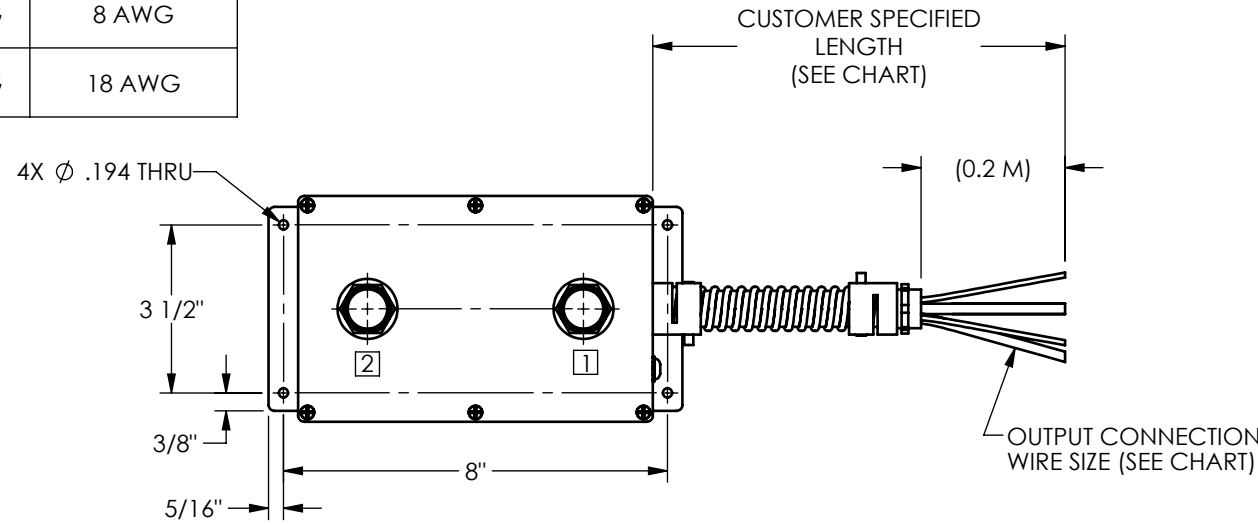
ORDERING INFORMATION
PCB - 1 - 1 - 3

POWER CONTROL BOX


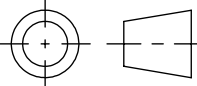
OUTPUT CONNECTION
 1 = 1Φ

TERMINAL WIRE SIZE
 1 = (12 - 18 AWG)
 2 = (8 - 12 AWG)
 3 = (18 - 24 AWG)

LENGTH
 3 = 3 METERS
 5 = 5 METERS



NOTE: DIMENSIONS IN [] ARE MILLIMETERS.

MATERIAL: -	DESIGN	AJC	02/07/12	 MAGTROL INC. 70 GARDENVILLE PKWY, W. BUFFALO, NEW YORK 14224-1322
	DRAWN	AJC	02/07/12	
FINISH: -	CHECKED	DTW	02/07/12	TITLE: POWER CONNECTION BOX, 1 Φ, CMTS
	THIRD ANGLE PROJECTION 			USED ON: - SIMILAR TO: 005876, 005877, 006614
UNLESS OTHERWISE SPECIFIED: DIMENSIONS ARE IN INCHES DIAMETERS CONCENTRIC: .003 TIR FACES PERPENDICULAR: .003 INTERPRETATION PER ASME Y14.5M-1994 REMOVE ALL BURRS AND BREAK SHARP EDGES .005/.010 X 45° INSIDE CORNERS TO BE R .02 MAX TOLERANCES: .XX ± .01 X/Y ± 1/64" .XXX ± .005 ANG ± 1° SURFACE FINISH 125 RMS MAX				DWG NO: PCB-SINGLE PHASE
				REV C
THIS DRAWING AND SPECIFICATION CONTAINS PROPRIETARY INFORMATION TO MAGTROL INC. ANY DISCLOSURE OR REPRODUCTION OF THIS DOCUMENT WITHOUT WRITTEN AUTHORIZATION FROM MAGTROL INC. IS EXPRESSLY PROHIBITED		SIZE B	SCALE 1:4	