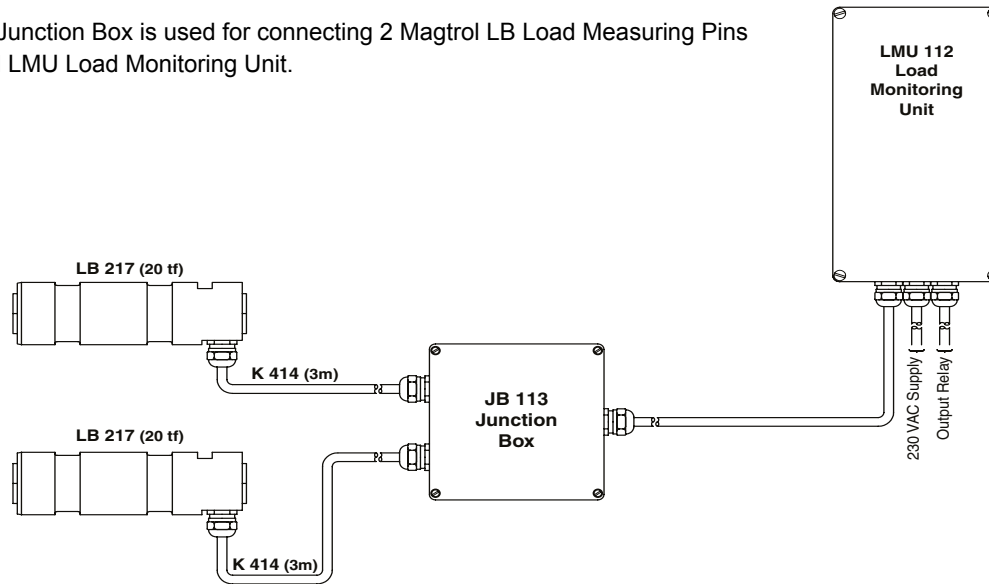


# JB 113 and JB 114

## JUNCTION BOXES

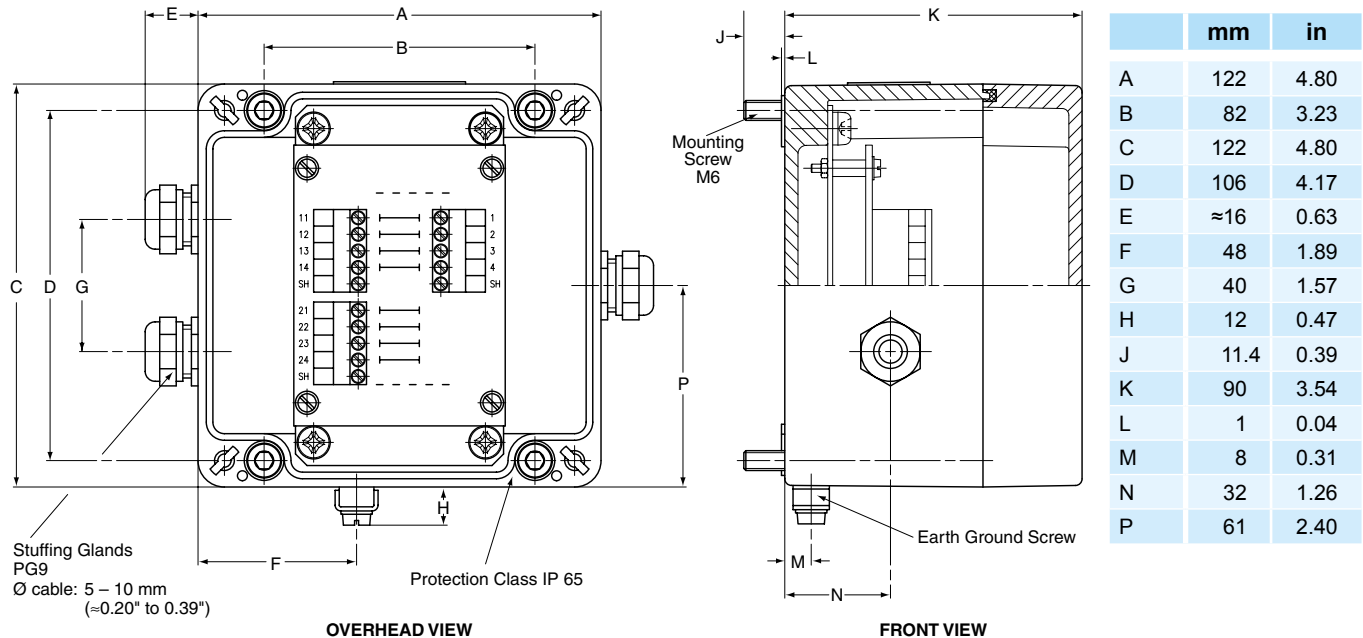
### JB 113 SYSTEM CONFIGURATION

The JB 113 Junction Box is used for connecting 2 Magtrol LB Load Measuring Pins to a Magtrol LMU Load Monitoring Unit.



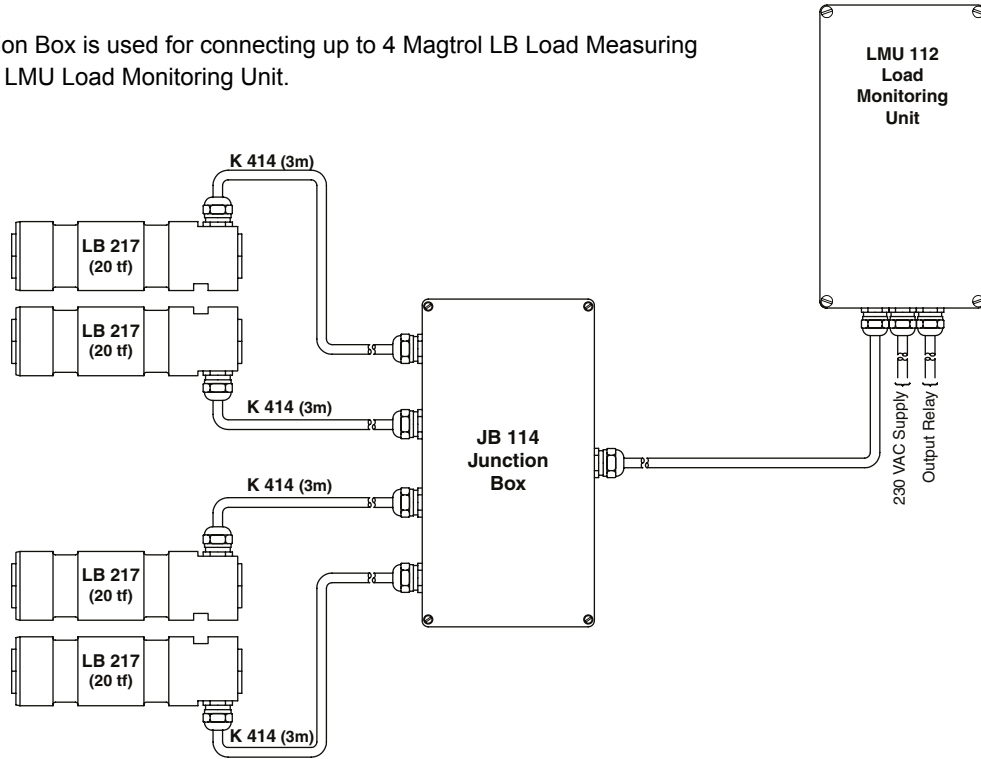
### JB 113 DIMENSIONS

NOTE: Original dimensions are in Metric units. Dimensions converted to English units have been rounded up to 2 decimal places.



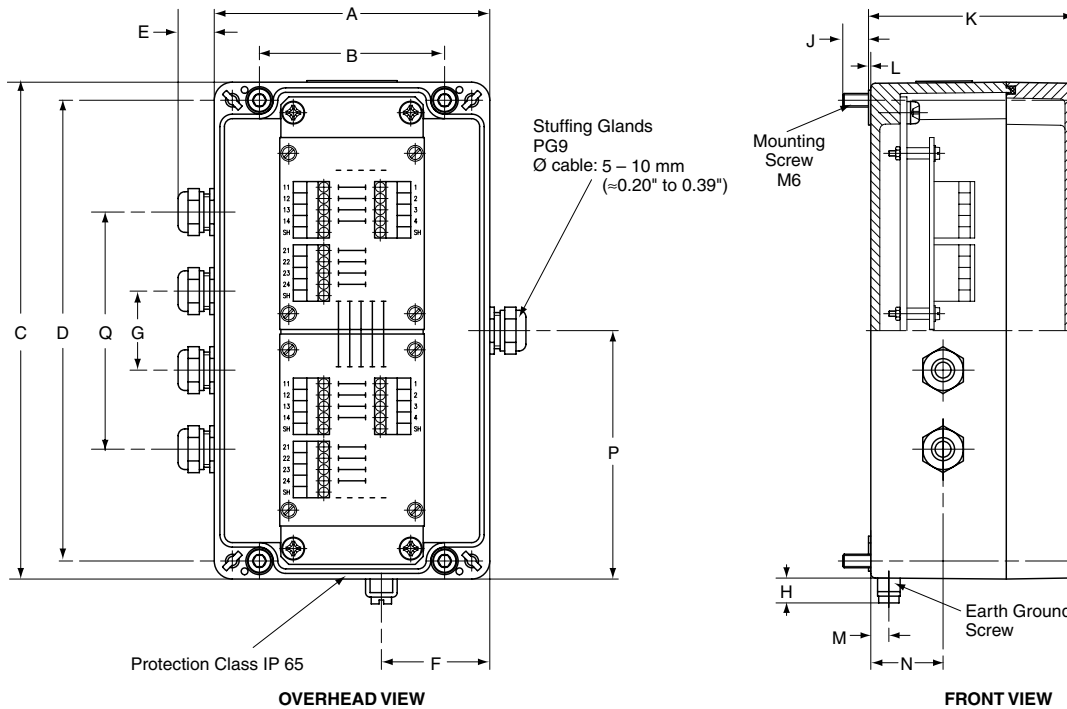
**JB 114 SYSTEM CONFIGURATION**

The JB 114 Junction Box is used for connecting up to 4 Magtrol LB Load Measuring Pins to a Magtrol LMU Load Monitoring Unit.



**JB 114 DIMENSIONS**

NOTE: Original dimensions are in Metric units. Dimensions converted to English units have been rounded up to 2 decimal places.



	mm	in
A	122	4.80
B	82	3.23
C	220	8.66
D	204	8.03
E	≈16	0.63
F	48	1.89
G	35	1.38
H	11	0.43
J	11.4	0.39
K	90	3.54
L	1	0.04
M	8	0.31
N	32	1.26
P	110	4.33
Q	105	4.13