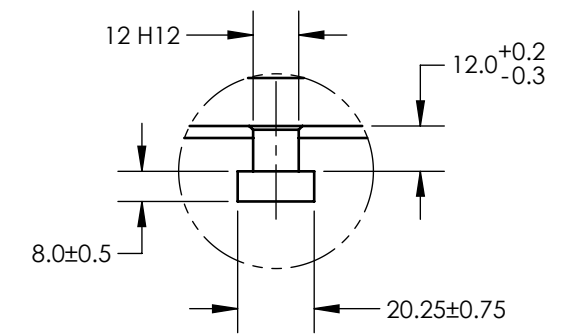
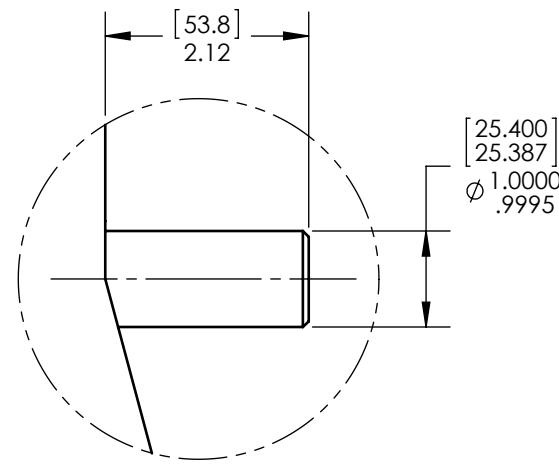


MODEL	TORQUE MEASURE UNIT CODE (-XXX)	STOCK CODE	MAXIMUM TORQUE RANGE	DRAG TORQUE DE-ENERGIZED AT 1000 RPM	NOMINAL INPUT INERTIA		MAXIMUM POWER		MAXIMUM SPEED (RPM)	COOLING
					(lb•ft•s ²)	(kg•m ²)	5-MINUTE (Watts)	CONTINUOUS (Watts)		
HD-815-XXX-0200	5N	007229	28.0 N m	0.14 N m	8.81 x 10 ⁻³	1.19 x 10 ⁻²	7,000	6,000	12,000	BLOWER (INCLUDED)
	5NA	007230								
	6N	006043	250 lb in	1.2 lb in						
	6NA	006044								
	7N	006045	280 kg cm	1.5 kg cm						
	7NA	006046								
	8N	006047	28.0 N m	0.14 N m						
	8NA	006048								

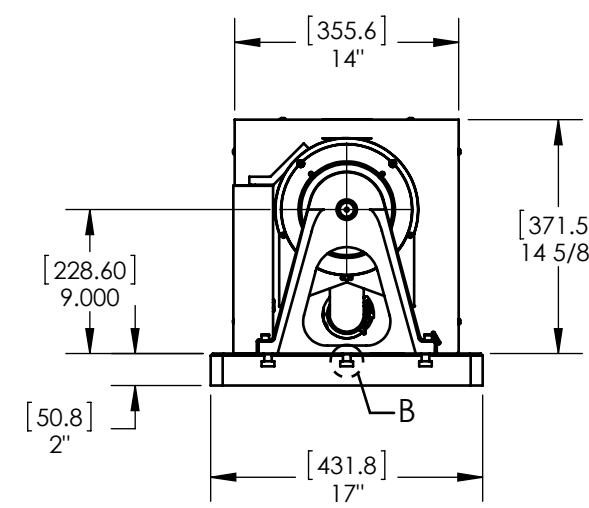
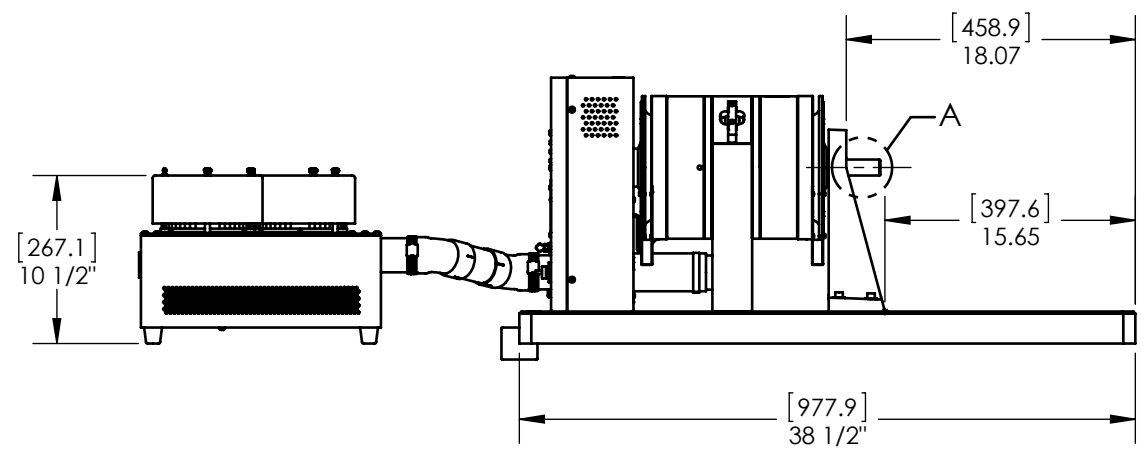
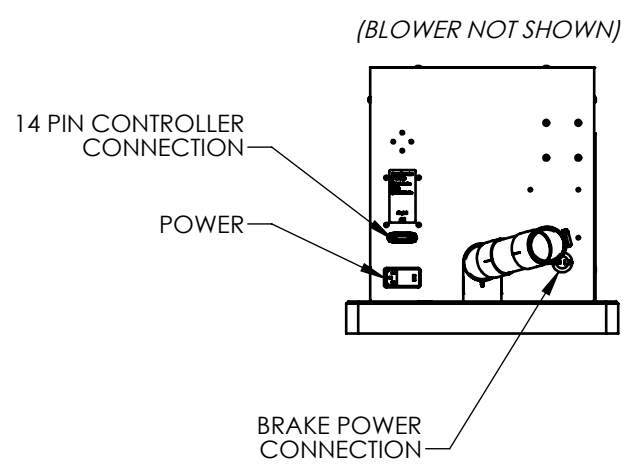
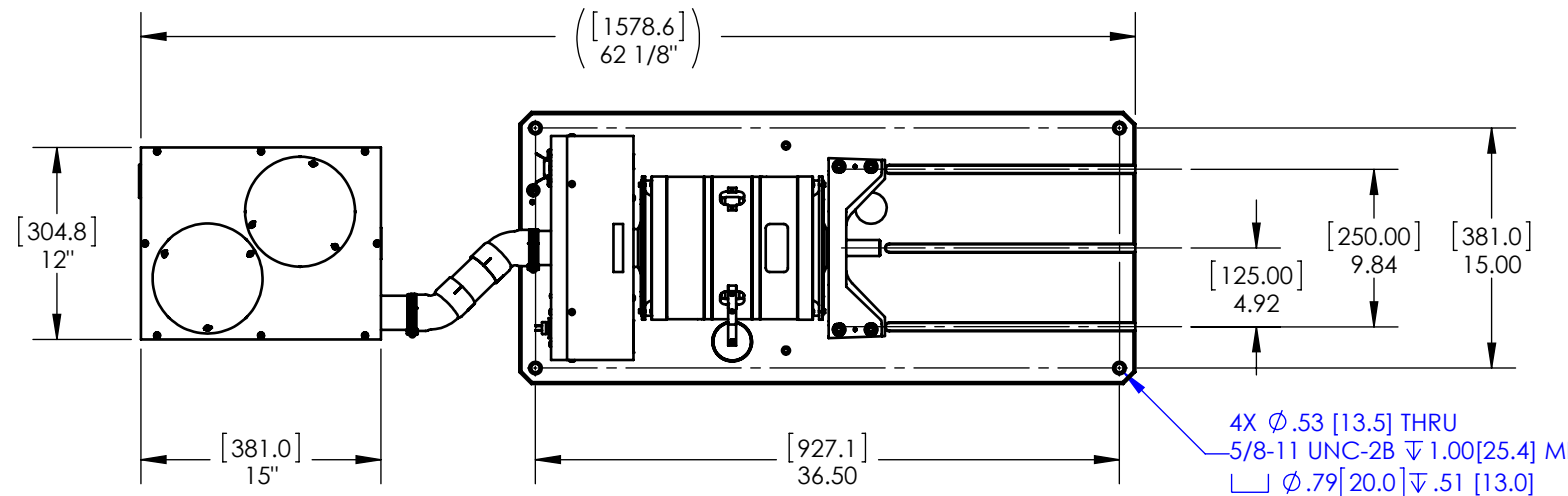
SOLID MODEL AVAILABLE



3X METRIC T-SLOT
DETAIL B
SCALE 1 : 2



DETAIL A
SCALE 1 : 2



INSTALLATION DRAWING

NOTE: DIMENSIONS IN [] ARE mm.

MATERIAL:	DESIGN	-	-	MAGTROL INC. 70 GARDENVILLE PKWY, W. BUFFALO, NEW YORK 14224-1322
	DRAWN	AJC	05/19/15	
FINISH:	CHECKED	JEF	05/19/15	TITLE:
	UNLESS OTHERWISE SPECIFIED: DIMENSIONS ARE IN INCHES DIAMETERS CONCENTRIC: .003 TIR FACES PERPENDICULAR: .003 INTERPRETATION PER ASME Y14.5M-1994 REMOVE ALL BURRS AND BREAK SHARP EDGES .005/.010 X 45° INSIDE CORNERS TO BE R .02 MAX TOLERANCES: .XX ± .01 X/Y ± 1/64" .XXX ± .005 X° ± 1° SURFACE FINISH 125 RMS MAX			DYNAMOMETER - 3 M12 T-SLOTS
THIRD ANGLE PROJECTION				USED ON: - SIMILAR TO: - DWG NO: HD-815-0200
THIS DRAWING AND SPECIFICATION CONTAINS PROPRIETARY INFORMATION TO MAGTROL INC. ANY DISCLOSURE OR REPRODUCTION OF THIS DOCUMENT WITHOUT WRITTEN AUTHORIZATION FROM MAGTROL INC. IS EXPRESSLY PROHIBITED	THIS DRAWING AND SPECIFICATION CONTAINS PROPRIETARY INFORMATION TO MAGTROL INC. ANY DISCLOSURE OR REPRODUCTION OF THIS DOCUMENT WITHOUT WRITTEN AUTHORIZATION FROM MAGTROL INC. IS EXPRESSLY PROHIBITED			REV: -
	SIZE	SCALE	SHEET #	
	B	1:12		