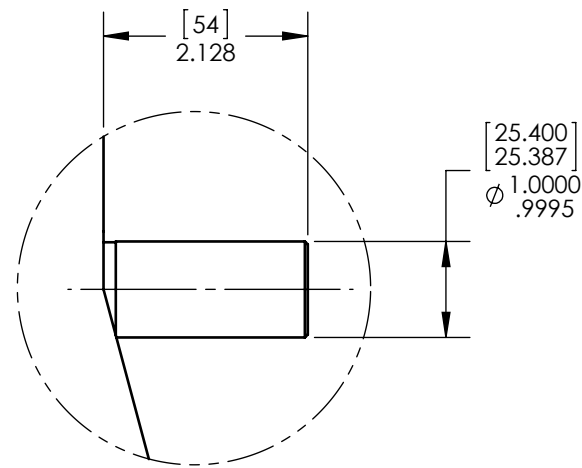
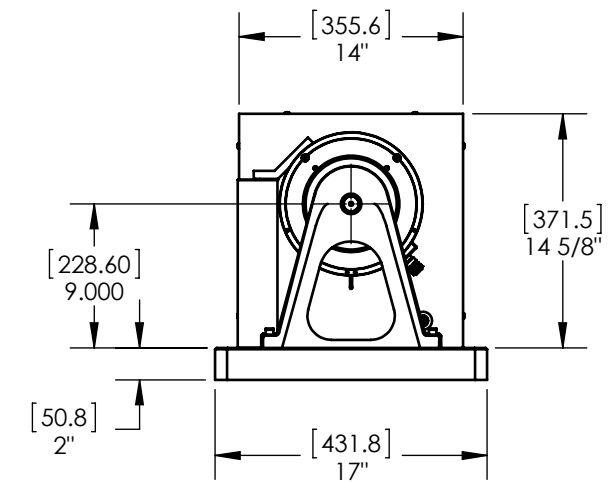
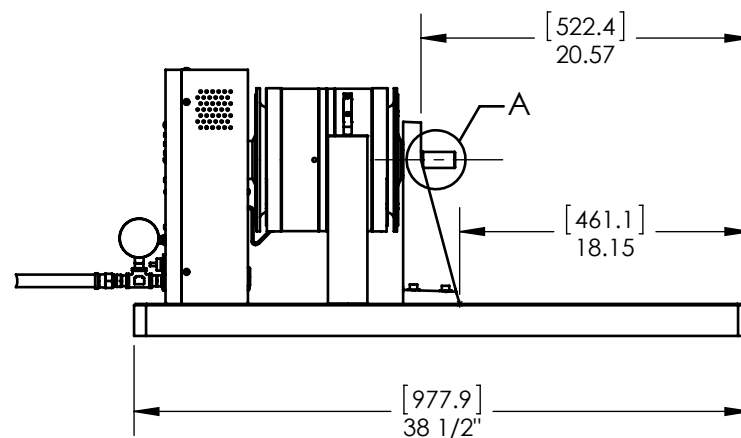
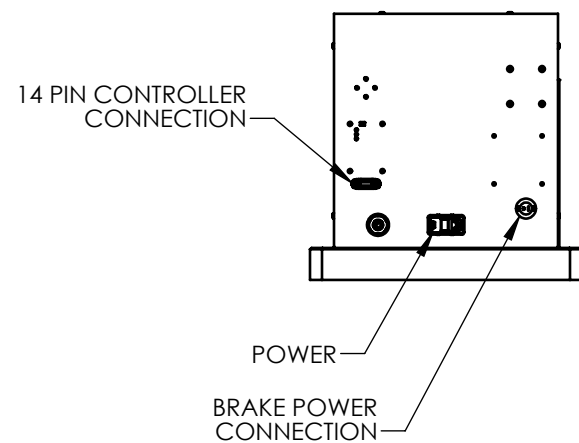
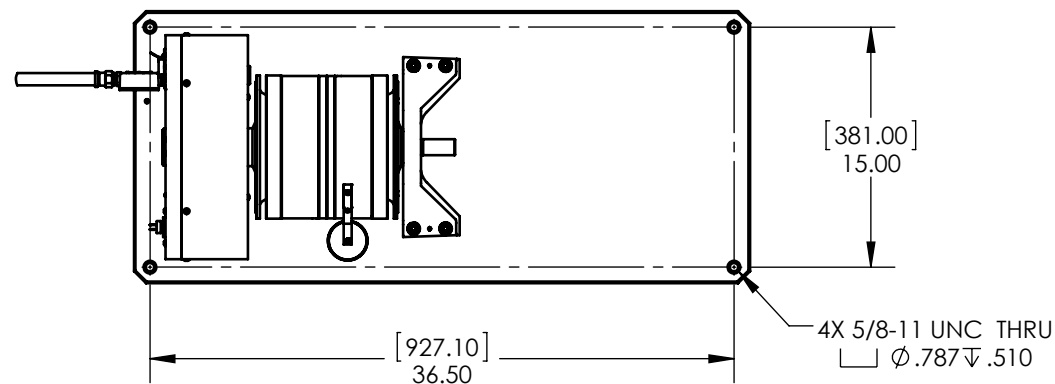


MODEL	TORQUE MEASURE UNIT CODE (-XXX)	STOCK CODE	MAXIMUM TORQUE RANGE	DRAG TORQUE DE-ENERGIZED AT 1000 RPM	NOMINAL INPUT INERTIA		MAXIMUM POWER		MAXIMUM SPEED (RPM)	COOLING
					(lb•ft•s ²)	(kg•m ²)	5-MINUTE (Watts)	CONTINUOUS (Watts)		
HD-805-XXX	5N	006783	28.00 N m	0.14 N m	8.81 x 10 ⁻³	1.19 x 10 ⁻²	5,300	3,000	12,000	COMPRESSED AIR* (15 CFM @ 14 PSI)
	5NA	006784								
	6N	005987	250.0 lb in	0.8 lb in						
	6NA	005989								
	7N	005991	280.0 kg cm	1.5 kg cm						
	7NA	005993								
	8N	005995	28.00 N m	0.10 N m						
	8NA	005997								

* REQUIRES AIR COOLING PROVIDED BY CUSTOMER. REGULATOR AND FILTER PACKAGE IS PROVIDED AS STANDARD EQUIPMENT


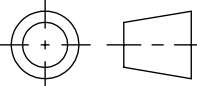


DETAIL A
SCALE 1:2



NOTE: DIMENSIONS IN [] ARE mm.

INSTALLATION DRAWING

MATERIAL:	-	DESIGN	-	-	 MAGTROL INC. 70 GARDENVILLE PKWY, W. BUFFALO, NEW YORK 14224-1322	
FINISH:	-	DRAWN	JEF	10/21/11		
		CHECKED	AJC	10/25/11		
THIRD ANGLE PROJECTION		UNLESS OTHERWISE SPECIFIED: DIMENSIONS ARE IN MILLIMETERS DIAMETERS CONCENTRIC: .08 TIR FACES PERPENDICULAR: .08 INTERPRETATION PER ASME Y14.5M-1994 REMOVE ALL BURRS AND BREAK SHARP EDGES 0.13/0.25 X 45° INSIDE CORNERS TO BE R 0.5 MAX TOLERANCES: .X ± .25 X ± .4 .XX ± .13 X° ± 1° SURFACE FINISH 3.2 μm MAX			TITLE:	HD-805 DYNAMOMETER
THIS DRAWING AND SPECIFICATION CONTAINS PROPRIETARY INFORMATION TO MAGTROL INC. ANY DISCLOSURE OR REPRODUCTION OF THIS DOCUMENT WITHOUT WRITTEN AUTHORIZATION FROM MAGTROL INC. IS EXPRESSLY PROHIBITED					USED ON: -	
					SIMILAR TO: -	
					DWG NO:	HD-805
					REV	B
SIZE	B	SCALE	1:12	SHEET #		