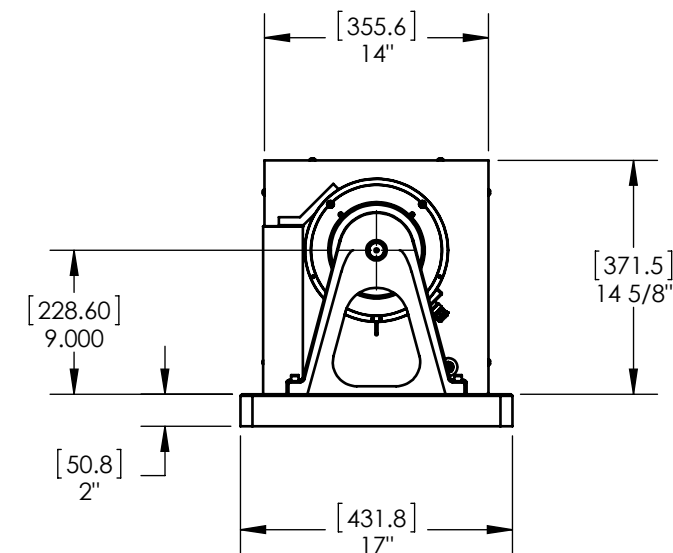
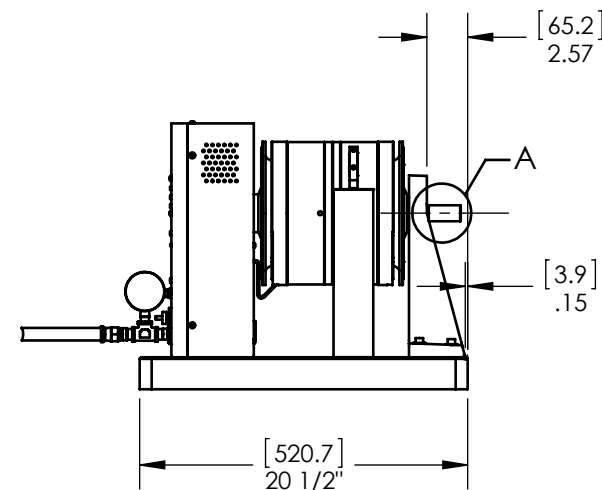
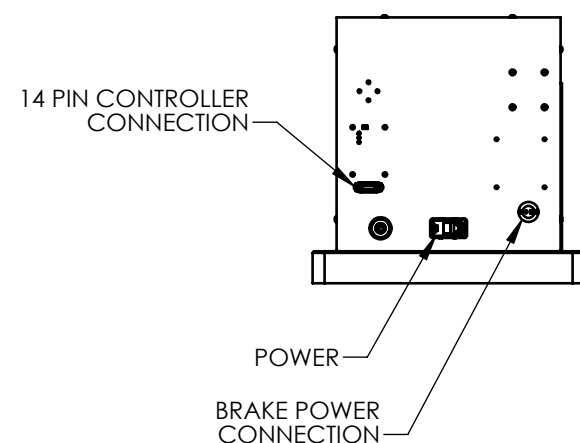
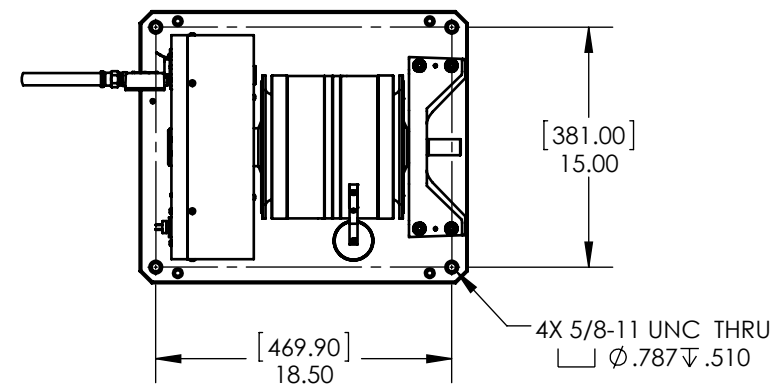
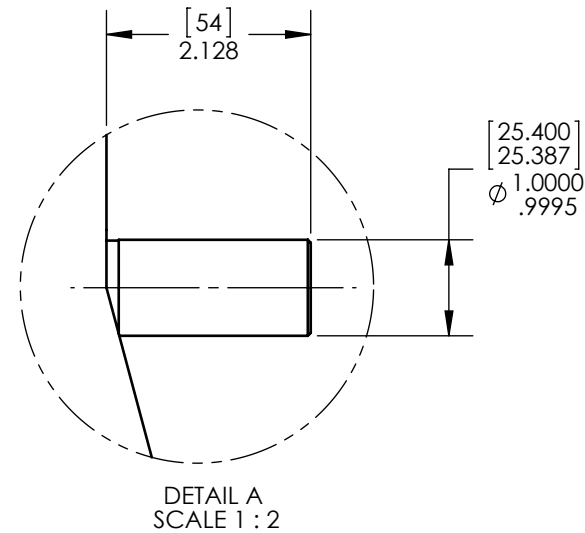

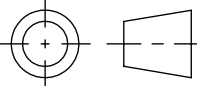


MODEL	TORQUE MEASURE UNIT CODE (-XXX)	STOCK CODE	MAXIMUM TORQUE RANGE	DRAG TORQUE DE-ENERGIZED AT 1000 RPM	NOMINAL INPUT INERTIA		MAXIMUM POWER		MAXIMUM SPEED (RPM)	COOLING
					(lb•ft•s ²)	(kg•m ²)	5-MINUTE (Watts)	CONTINUOUS (Watts)		
HD-805-XXX-0100	5N	006785	28.00 N m	0.14 N m	8.81 x 10 ⁻³	1.19 x 10 ⁻²	5,300	3,000	12,000	COMPRESSED AIR* (15 CFM @ 14 PSI)
	5NA	006786								
	6N	005988	250.0 lb in	0.8 lb in						
	6NA	005990								
	7N	005992	280.0 kg cm	1.5 kg cm						
	7NA	005994								
	8N	005996	28.00 N m	0.10 N m						
	8NA	005998								

* REQUIRES AIR COOLING PROVIDED BY CUSTOMER. REGULATOR AND FILTER PACKAGE IS PROVIDED AS STANDARD EQUIPMENT



INSTALLATION DRAWING

MATERIAL:	-	DESIGN	-	-	 MAGTROL INC. 70 GARDENVILLE PKWY, W. BUFFALO, NEW YORK 14224-1322	
FINISH:	-	DRAWN	JEF	10/21/11		
THIRD ANGLE PROJECTION		CHECKED	AJC	10/25/11	TITLE:	
THIS DRAWING AND SPECIFICATION CONTAINS PROPRIETARY INFORMATION TO MAGTROL INC. ANY DISCLOSURE OR REPRODUCTION OF THIS DOCUMENT WITHOUT WRITTEN AUTHORIZATION FROM MAGTROL INC. IS EXPRESSLY PROHIBITED	UNLESS OTHERWISE SPECIFIED: DIMENSIONS ARE IN MILLIMETERS DIAMETERS CONCENTRIC: .08 TIR FACES PERPENDICULAR: .08 INTERPRETATION PER ASME Y14.5M-1994 REMOVE ALL BURRS AND BREAK SHARP EDGES 0.13/0.25 X 45° INSIDE CORNERS TO BE R 0.5 MAX TOLERANCES: .X ± .25 X ± .4 .XX ± .13 X° ± 1° SURFACE FINISH 3.2 µm MAX			HD-805-0100, SHORT BASE DYNAMOMETER		
	NOTE: DIMENSIONS IN [] ARE mm.				USED ON: - SIMILAR TO: - DWG NO: HD-805-0100	
					REV	B
		SIZE	SCALE	SHEET #		
		B	1:12			