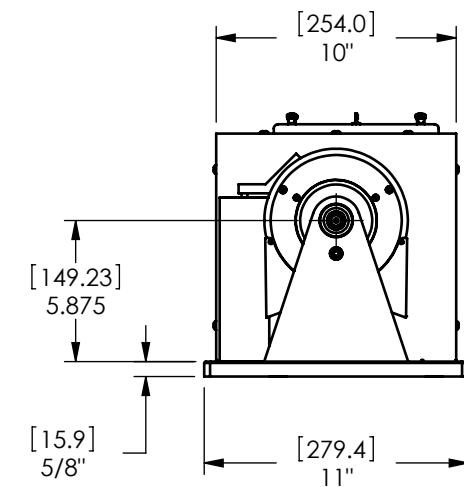
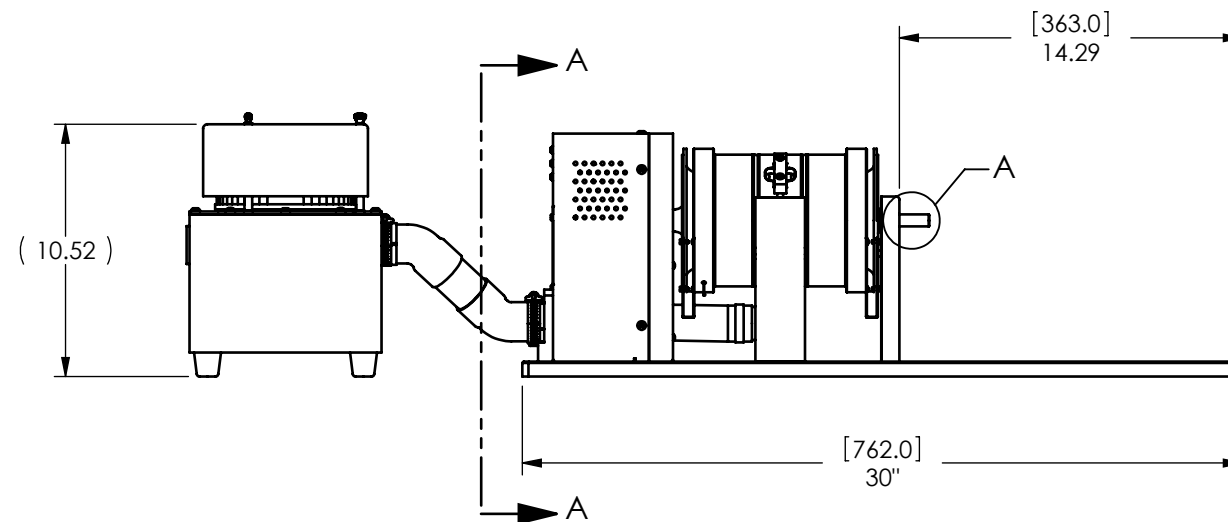
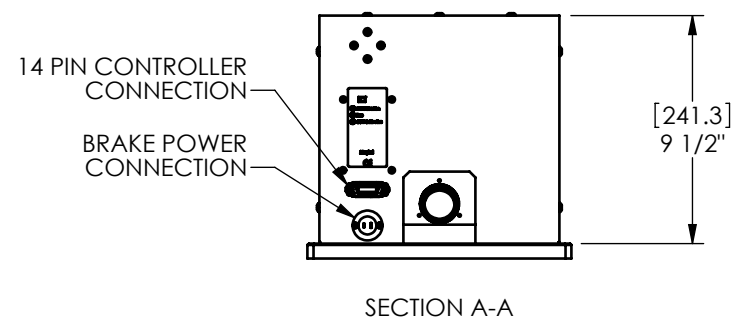
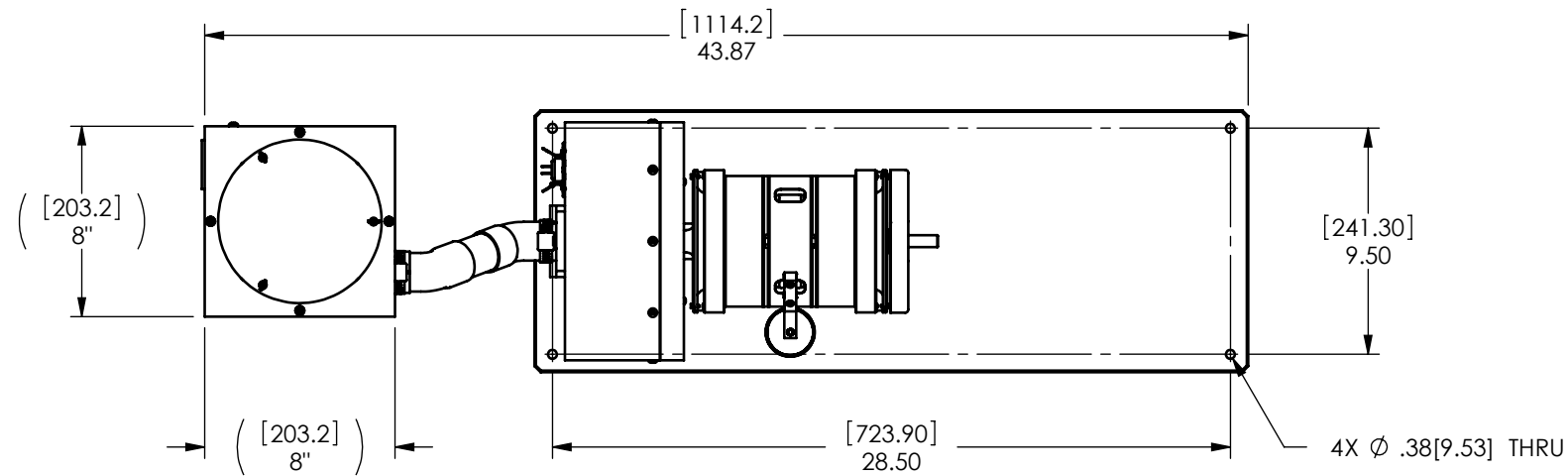
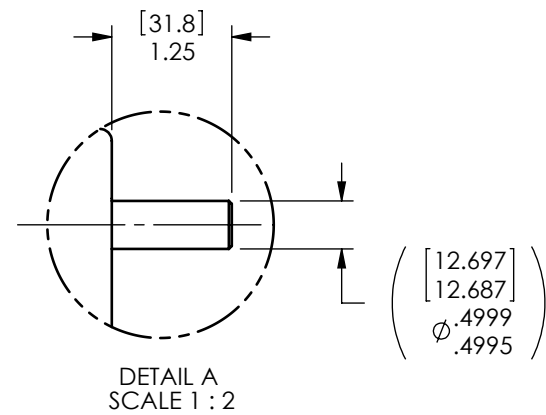
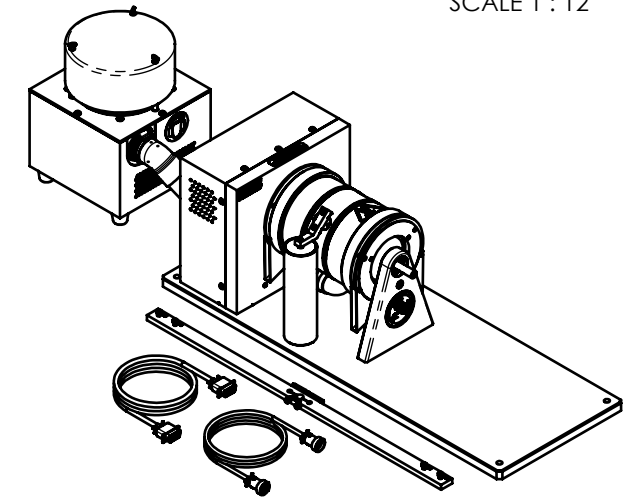


MODEL	TORQUE MEASURE UNIT CODE (-XXX)	STOCK CODE	MAXIMUM TORQUE RANGE	DRAG TORQUE DE-ENERGIZED AT 1000 RPM	NOMINAL INPUT INERTIA		MAXIMUM POWER		MAXIMUM SPEED (RPM)	COOLING METHOD	BLOWER MODEL
					(lb•ft•s ²)	(kg•m ²)	5-MINUTE (Watts)	CONTINUOUS (Watts)			
HD-715-XXX	5N	006652	6.20 N m	0.023 N m	1.10 x 10 ⁻³	1.49 x 10 ⁻³	3,400	3,000	25,000	BLOWER	BL-001
	5NA	006653									BL-001-A
	6N	005907	55.0 lb in	0.2 lb in							BL-001
	6NA	005910									BL-001-A
	7N	005908	62.0 kg cm	0.24 kg cm							BL-001
	7NA	005911									BL-001-A
	8N	005909	6.20 N m	0.023 N m							BL-001
	8NA	005912									BL-001-A

SOLID MODEL AVAILABLE

3 DIMENSIONAL VIEW
SCALE 1 : 12



INSTALLATION DRAWING

MATERIAL:	DESIGN	-	-		MAGTROL INC. 70 GARDENVILLE PKWY, W. BUFFALO, NEW YORK 14224-1322
FINISH:	DRAWN	AJC	04/29/02		
THIRD ANGLE PROJECTION	CHECKED	DTW	04/29/02	TITLE: HD-715 DYNAMOMETER	
THIS DRAWING AND SPECIFICATION CONTAINS PROPRIETARY INFORMATION TO MAGTROL INC. ANY DISCLOSURE OR REPRODUCTION OF THIS DOCUMENT WITHOUT WRITTEN AUTHORIZATION FROM MAGTROL INC. IS EXPRESSLY PROHIBITED	UNLESS OTHERWISE SPECIFIED: DIMENSIONS ARE IN INCHES DIAMETERS CONCENTRIC: .003 TIR FACES PERPENDICULAR: .003 INTERPRETATION PER ASME Y14.5M-1994 REMOVE ALL BURRS AND BREAK SHARP EDGES .005/.010 X 45° INSIDE CORNERS TO BE R .02 MAX TOLERANCES: .XX ± .01 X/Y ± 1/64" .XXX ± .005 ANG ± 1° SURFACE FINISH 125 RMS MAX			USED ON: - SIMILAR TO: -	
	NOTE: DIMENSIONS IN [] ARE MILLIMETERS.			DWG NO:	HD-715
			SIZE	SCALE	
			B	1:8	