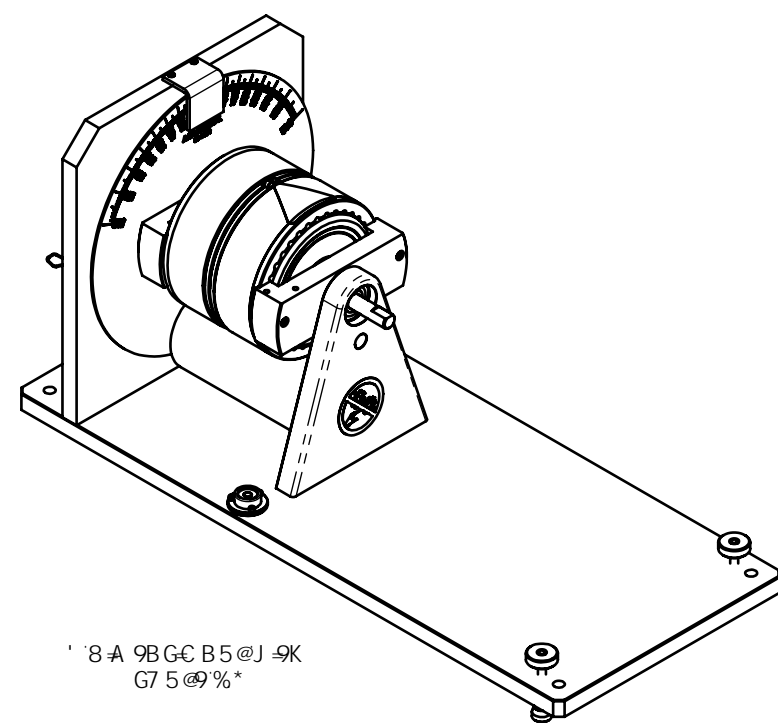
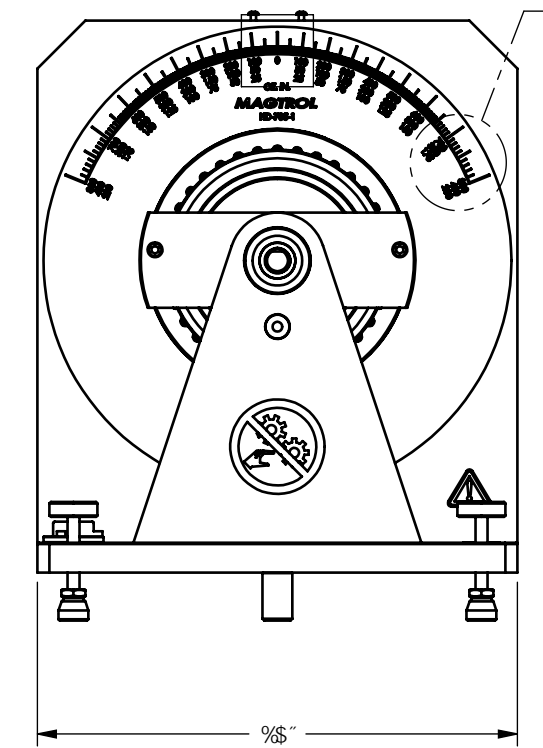
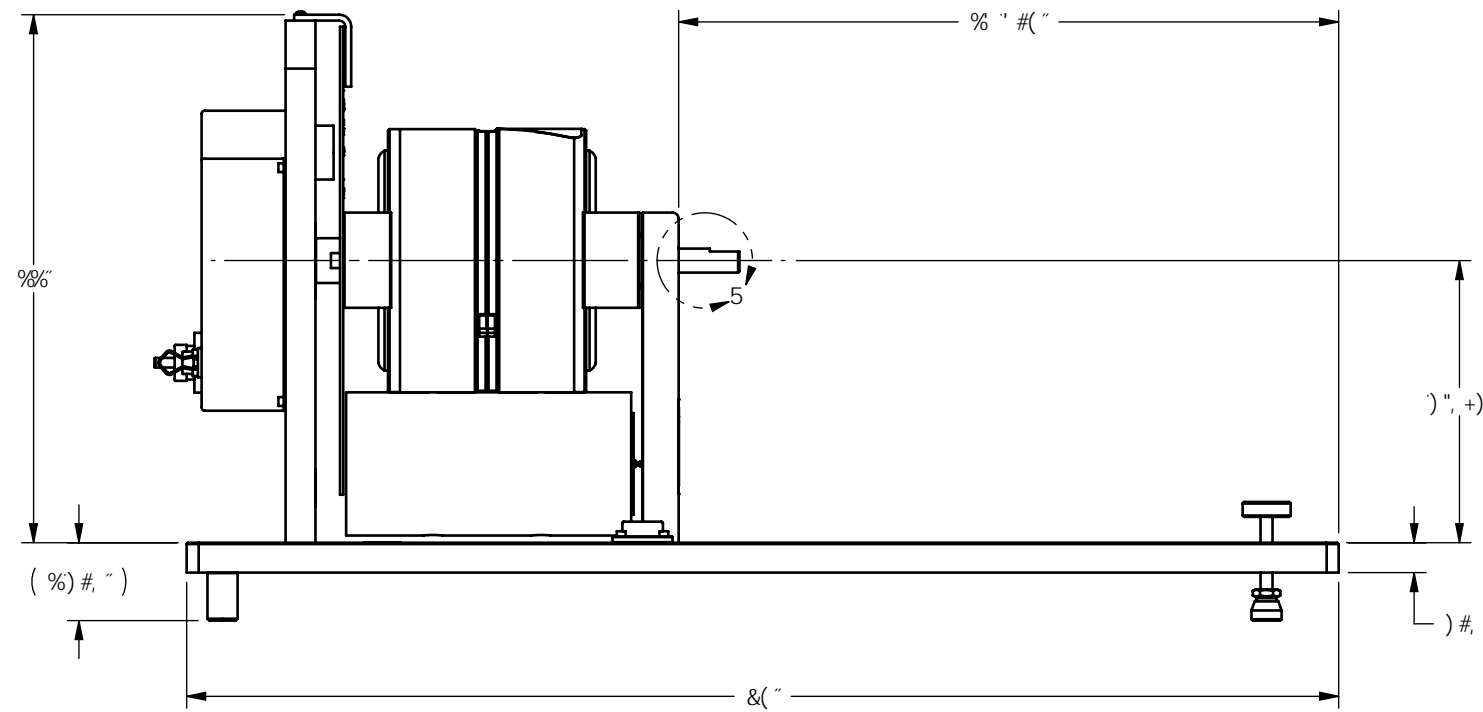
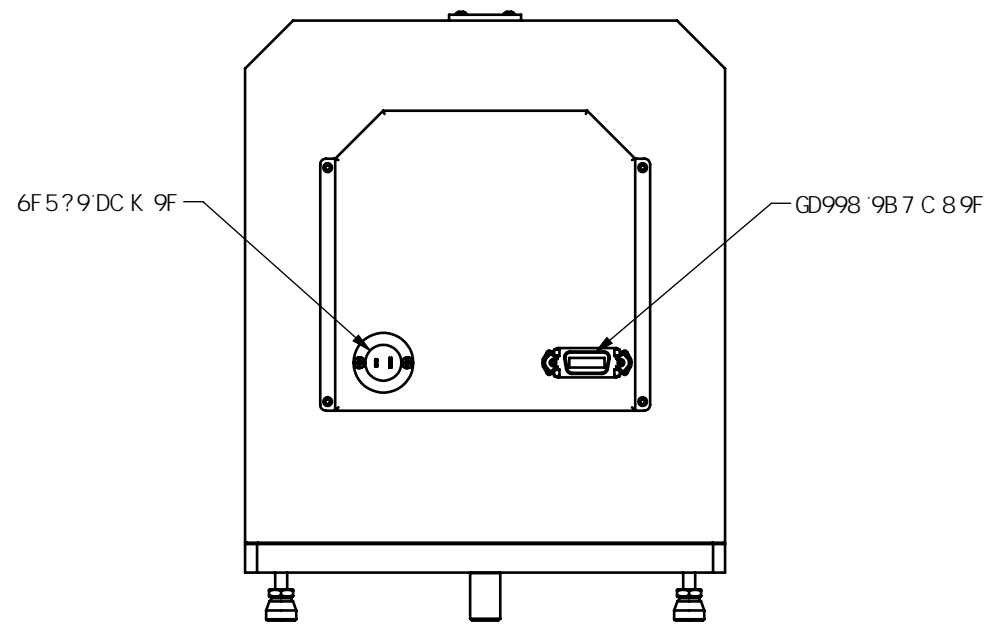
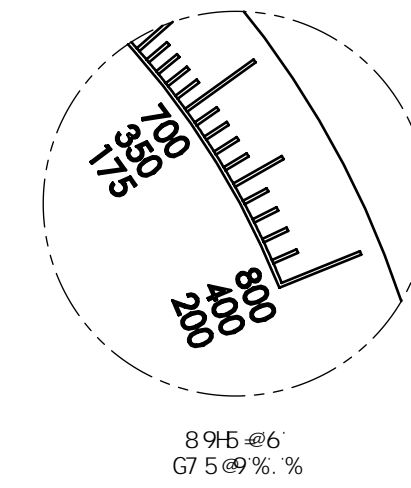
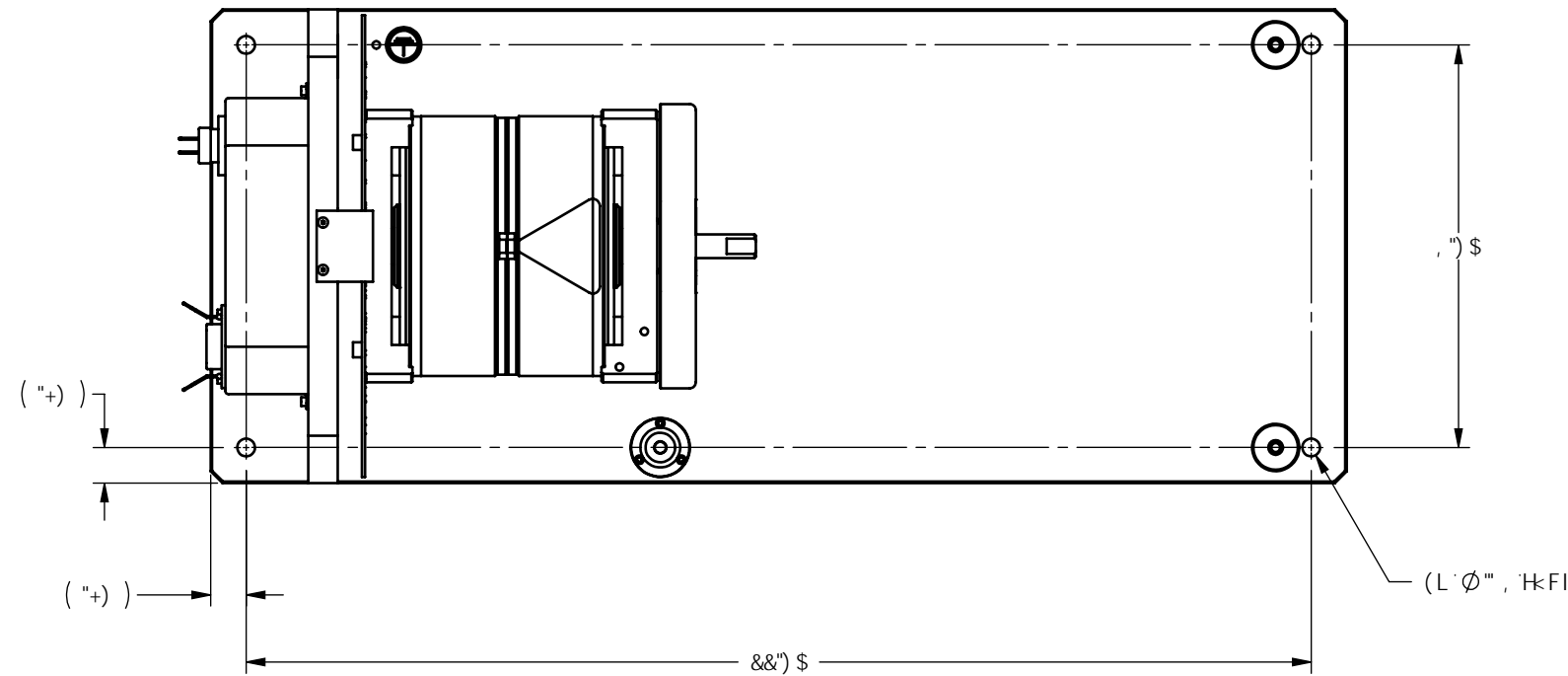
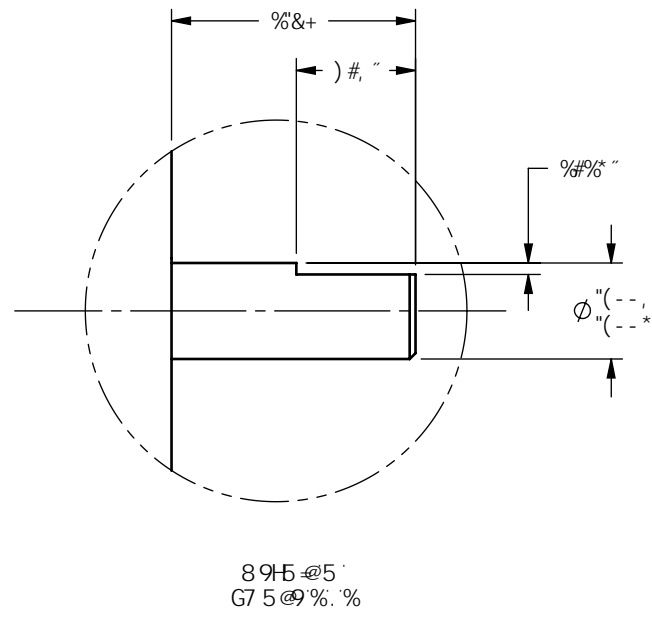


|           |              |                |             |             |                            |                         |
|-----------|--------------|----------------|-------------|-------------|----------------------------|-------------------------|
| AC89@     | GC7?<br>7C89 | :I @G75@HCFE19 |             |             | A5LAI A<br>GD998<br>fFDA L | ?-B9H7 DCK 9F F5HB; G   |
| <8!+\$)!% | \$\$) . -\$  | &\$\$'cn"b"    | (\$\$'cn"b" | ,\$\$'cn"b" | ,\$\$\$                    | %( \$\$                 |
|           |              | F5B; 9%        | F5B; 9&     | F5B; 9'     |                            | 7CBHBI CI G<br>fk Uhtj. |

GC@8'A C89@5J 5-66@



-BG5@5HCB 8F5K -B;

|                                      |          |    |              |   |
|--------------------------------------|----------|----|--------------|---|
| A 5HF 5@                             | 89G+ B   | !  | !            | <p><b>A 5; HFC@B7"</b><br/>+\$; 5F89BJ @D?K M'K "<br/>6! : : 5@C ZB9K 'M: F? %(&amp;&amp;(1% &amp;&amp;</p>   |
| -B G-                                | BF5K B   | >9 | \$) #)\$ #9% |   |
| H: F8                                | 7 <97?98 | 5> | \$) #S* #9%  | <p>1 B @9GC H: 9K @9 GD97 = 98.<br/>8-A 9BGC BG5F9-B B7 &lt;9G<br/>8-5A 9HFG7 C B7 9HF-7. "\$S" HF<br/>: 57 9GD9FD9B8-71 @6F. "\$S"<br/>BHFD 9H5HC B D9F 5GA 9<br/>M(A) A 1% -<br/>F(A C) J 95 @61 FFG5B8 6F95?<br/>C&lt; 5FD98: 9G"\$S) #S9S L ( ) S<br/>BG897 CFB9GHC 69F "\$S&amp;A 5L<br/>HC @9F5B7 9G<br/>"LL - "\$S" L#M- %9" ("<br/>"LLL - "\$S" LS - %<br/>G F: 57 9: -B G&lt; %&amp;) FA GA 5L</p> |
| 5B: @                                |          |    |              | <p>HHP<br/>&lt;8!+\$)!%8MB5A CA 9HFFZ<br/>8-5@K 9# &lt;H</p>  |
| DFC >97 HC B                         |          |    |              | <p>1 ORC B: I<br/>GA: 45 HC \$S&amp;S) S</p>  |
| H-6BF5K -B: 5B8 GD97 = 75HC B        |          |    |              | <p>BK: BC.</p>  |
| 7 C B5 8GD9C DF 9B5FM B: CFA 5HC B   |          |    |              | <p>GA P G7 5 @9 Gc998</p>   |
| HC A 5: HFC@B7" 5BMB G7 @G F9        |          |    |              | <p>7 % ( 6</p>  |
| CF F9D9C 81 7HC B C: H: 68C 71 A 98H |          |    |              |   |
| K 4-C1 HK F 4H8 51 H: CFA 5HC B: FCA |          |    |              |   |
| A 5: HFC@B7" G9LDF 9GMDFC < 64H8     |          |    |              |   |