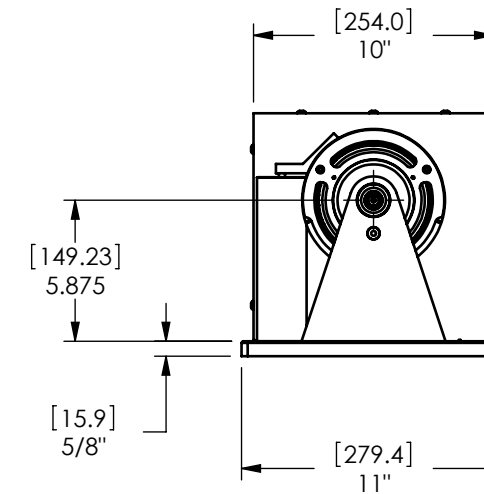
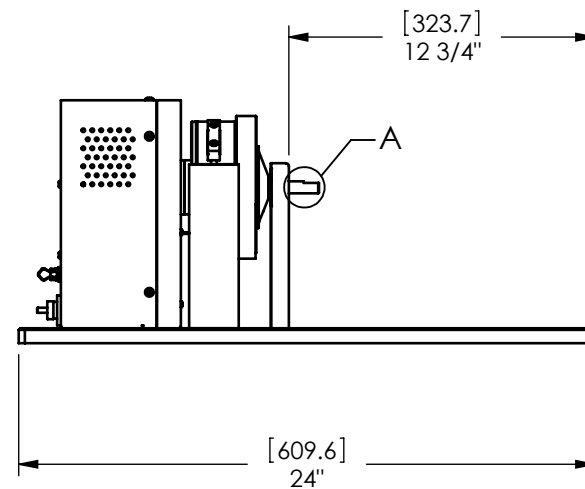
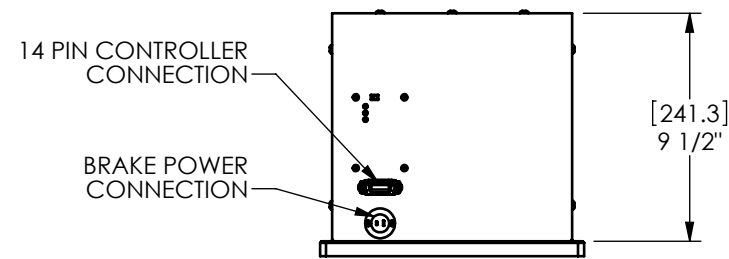
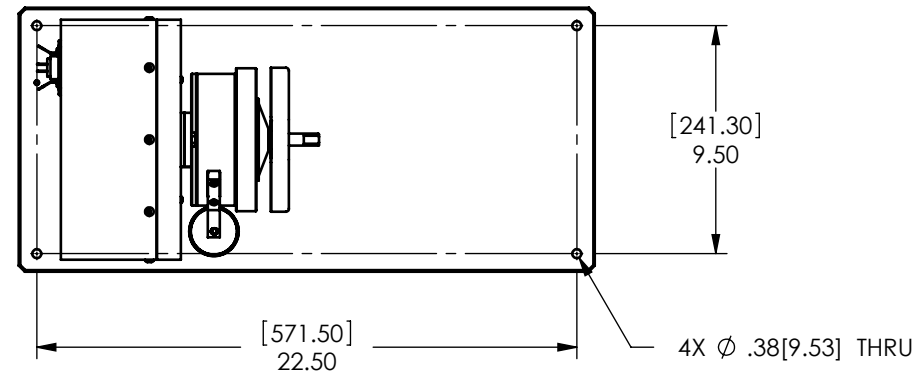
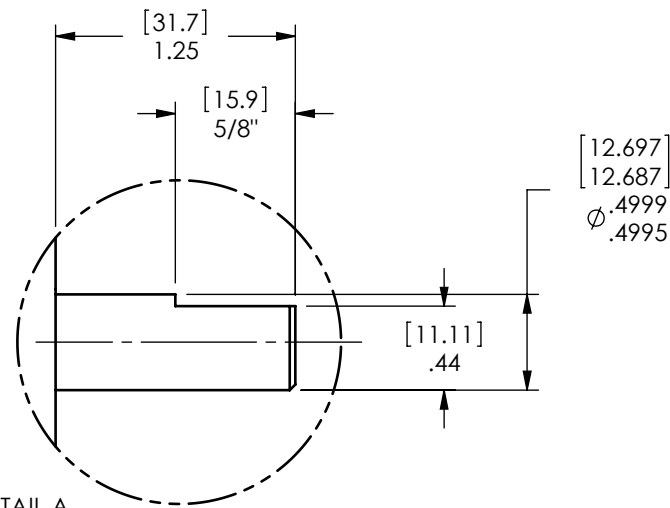
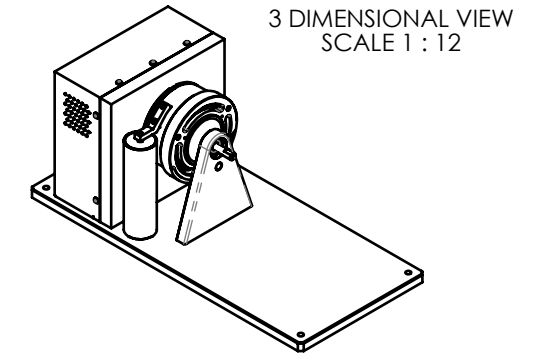


MODEL	TORQUE MEASURE UNIT CODE (-XXX)	STOCK CODE	MAXIMUM TORQUE RANGE	DRAG TORQUE DE-ENERGIZED AT 1000 RPM	NOMINAL INPUT INERTIA		MAXIMUM POWER		MAXIMUM SPEED (RPM)	COOLING METHOD
					(lb•ft•s ²)	(kg•m ²)	5-MINUTE (Watts)	CONTINUOUS (Watts)		
HD-700-XXX	5N	006699	3.10 N m	0.013 N m	5.51 x 10 ⁻⁴	7.47 x 10 ⁻⁴	700	150	25,000	CONVECTION
	5NA	006700								
	6N	005920	440 oz in	2.0 oz in						
	6NA	005923								
	7N	005921	31.0 kg cm	0.14 kg cm						
	7NA	005924								
	8N	005922	3.10 N m	0.013 N m						
	8NA	005925								

SOLID MODEL AVAILABLE



NOTE: DIMENSIONS IN [] ARE MILLIMETERS.

INSTALLATION DRAWING

MATERIAL:	DESIGN	-	-	MAGTROL INC. 70 GARDENVILLE PKWY, W. BUFFALO, NEW YORK 14224-1322
	DRAWN	AJC	04/04/02	
FINISH:	CHECKED	DTW	04/04/02	TITLE:
				HD-700 DYNAMOMETER
THIRD ANGLE PROJECTION	UNLESS OTHERWISE SPECIFIED: DIMENSIONS ARE IN INCHES DIAMETERS CONCENTRIC: .003 TIR FACES PERPENDICULAR: .003 INTERPRETATION PER ASME Y14.5M-1994 REMOVE ALL BURRS AND BREAK SHARP EDGES .005/.010 X 45° INSIDE CORNERS TO BE R .02 MAX TOLERANCES: .XX ± .01 X/Y ± 1/64" .XXX ± .005 ANG ± 1° SURFACE FINISH 125 RMS MAX			USED ON: - SIMILAR TO: -
THIS DRAWING AND SPECIFICATION CONTAINS PROPRIETARY INFORMATION TO MAGTROL INC. ANY DISCLOSURE OR REPRODUCTION OF THIS DOCUMENT WITHOUT WRITTEN AUTHORIZATION FROM MAGTROL INC. IS EXPRESSLY PROHIBITED				DWG NO:
				HD-700
	SIZE	SCALE		REV
	B	1:8		B