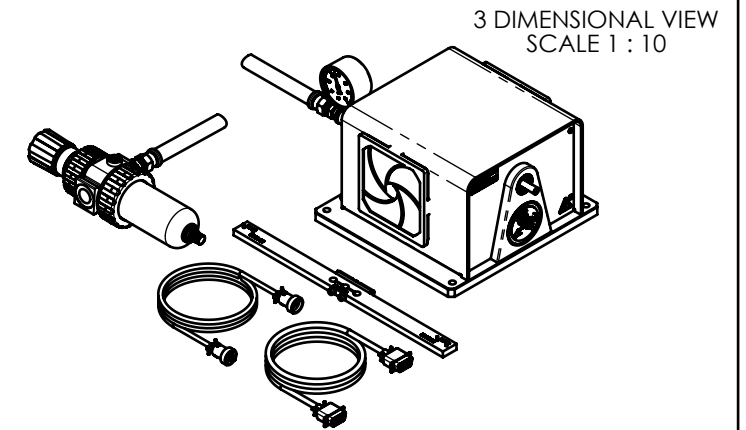
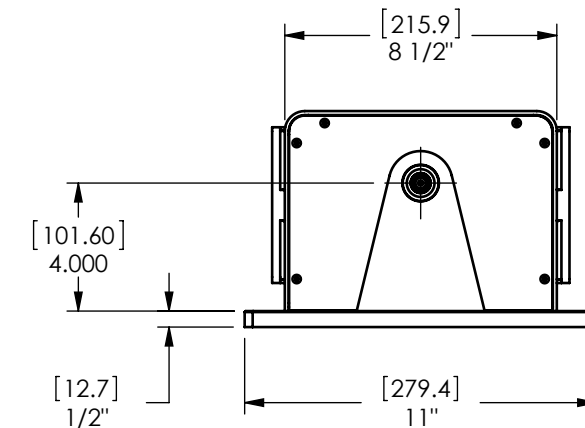
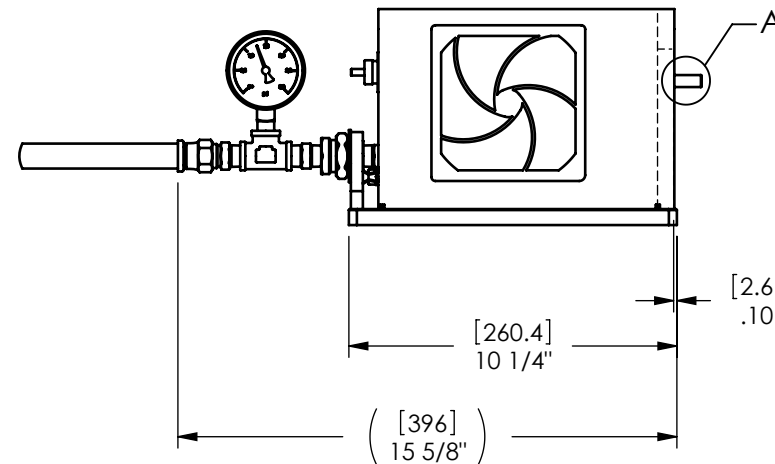
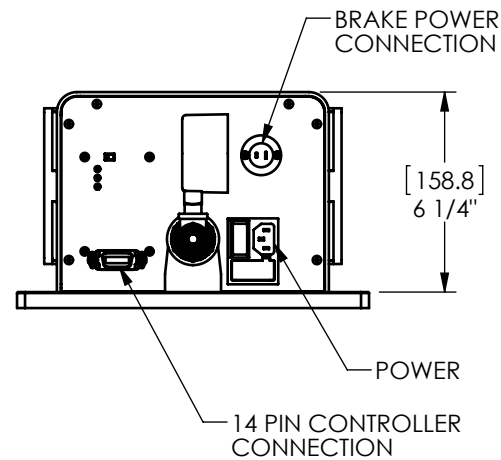
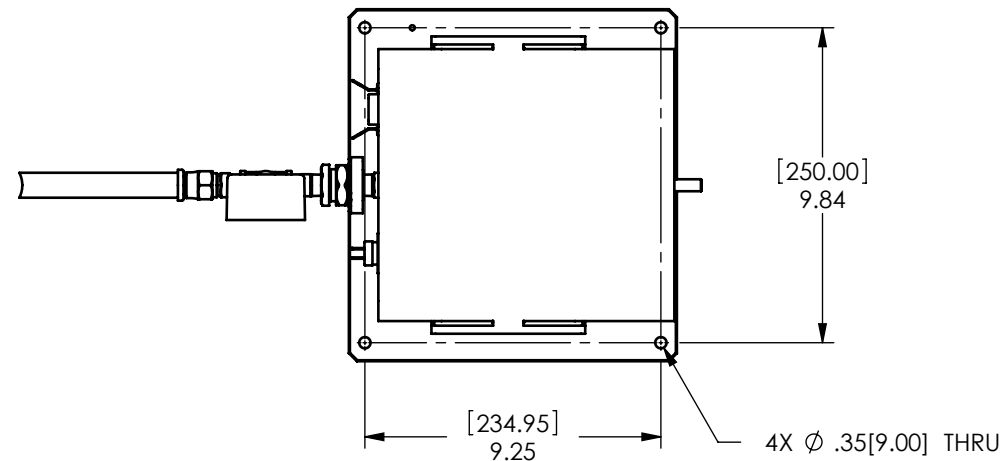
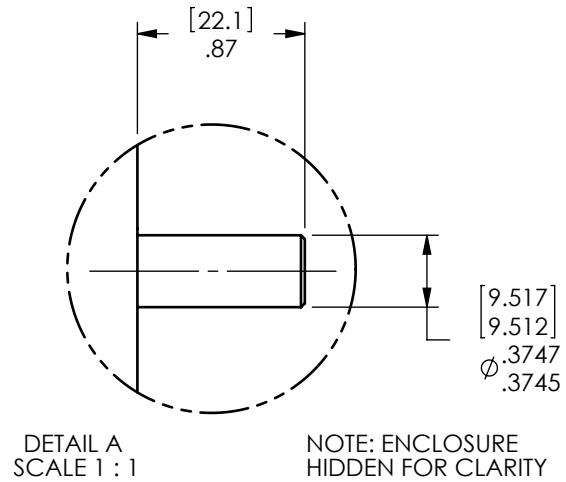


MODEL	TORQUE MEASURE UNIT CODE (-XXX)	STOCK CODE	MAXIMUM TORQUE RANGE	DRAG TORQUE DE-ENERGIZED AT 1000 RPM	NOMINAL INPUT INERTIA		MAXIMUM POWER		MAXIMUM SPEED (RPM)	COOLING	FAN DESCRIPTION
					(lb•ft•s ²)	(kg•m ²)	5-MINUTE (Watts)	CONTINUOUS (Watts)			
HD-515-XXX-0100	5N	006650	1.700 N m	10 mN m	1.61 x 10 ⁻⁴	2.18 x 10 ⁻⁴	1,500	900	25,000	COMPRESSED AIR* (10 CFM @ 4 PSI)	115V
	5NA	006651									220V
	6N	005705	240.0 oz in	1.0 oz in							115V
	6NA	005706									220V
	7N	005707	17.0 kg cm	0.1 kg cm							115V
	7NA	005708									220V
	8N	005709	1700 mN m	10 mN m							115V
	8NA	005591									220V

SOLID MODEL AVAILABLE



* REQUIRES AIR COOLING PROVIDED BY USER. REGULATOR AND FILTER PACKAGE IS PROVIDED AS STANDARD EQUIPMENT.



NOTE: DIMENSIONS IN [] ARE MILLIMETERS.

INSTALLATION DRAWING

MATERIAL:	-	DESIGN	-	-	MAGTROL INC. 70 GARDENVILLE PKWY, W. BUFFALO, NEW YORK 14224-1322
FINISH:	-	DRAWN	JEF	01/07/11	
THIRD ANGLE PROJECTION		CHECKED	AJC	01/13/11	TITLE: HD-515 SHORT BASE DYNO
THIS DRAWING AND SPECIFICATION CONTAINS PROPRIETARY INFORMATION TO MAGTROL INC. ANY DISCLOSURE OR REPRODUCTION OF THIS DOCUMENT WITHOUT WRITTEN AUTHORIZATION FROM MAGTROL INC. IS EXPRESSLY PROHIBITED	UNLESS OTHERWISE SPECIFIED: DIMENSIONS ARE IN INCHES DIAMETERS CONCENTRIC: .003 TIR FACES PERPENDICULAR: .003 INTERPRETATION PER ASME Y14.5M-1994 REMOVE ALL BURRS AND BREAK SHARP EDGES .005/.010 X 45° INSIDE CORNERS TO BE R .02 MAX TOLERANCES: .XX ± .01 X/Y ± 1/64" .XXX ± .005 ANG ± 1° SURFACE FINISH 125 RMS MAX				DWG NO: HD-515-0100
					REV C
		SIZE B	SCALE 1:6		