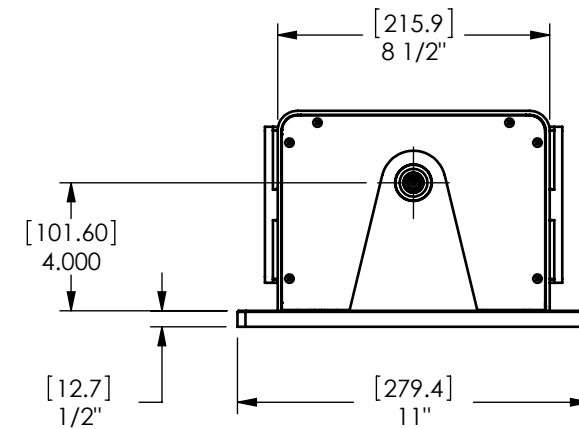
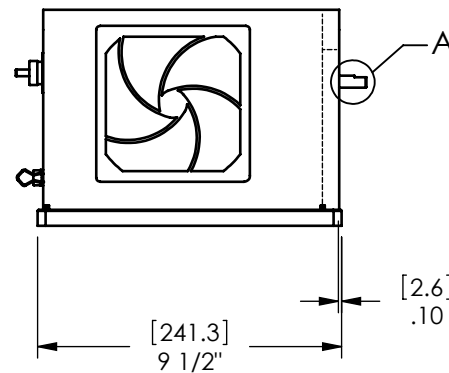
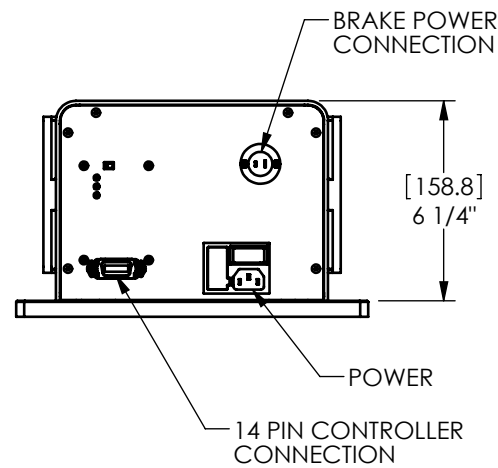
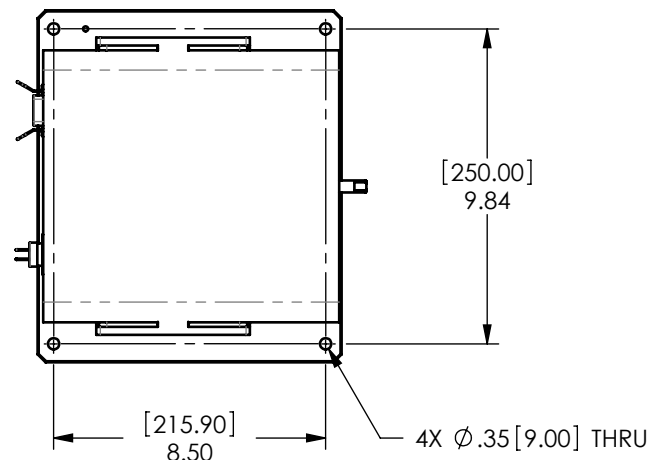
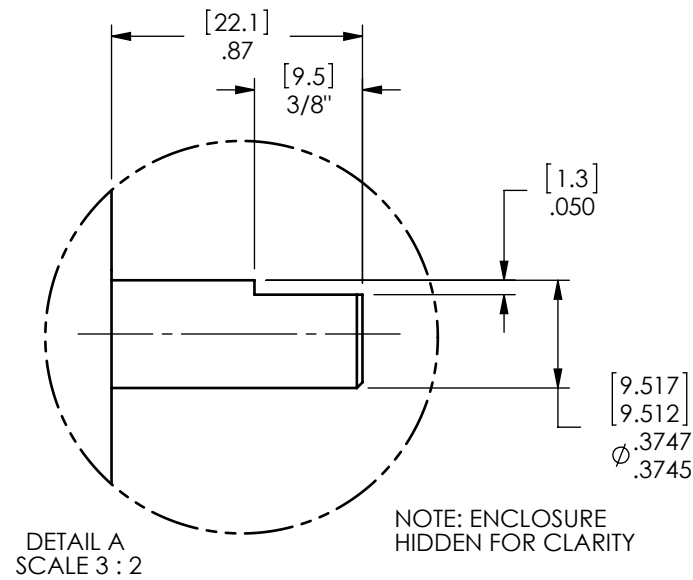
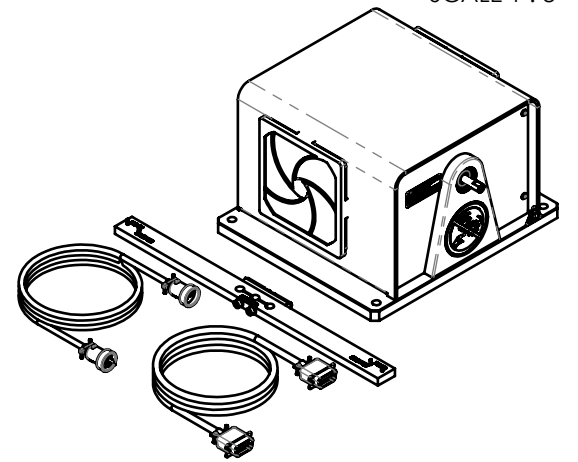


MODEL	TORQUE MEASURE UNIT CODE (-XXX)	STOCK CODE	MAXIMUM TORQUE RANGE	DRAG TORQUE DE-ENERGIZED AT 1000 RPM	NOMINAL INPUT INERTIA		MAXIMUM POWER		MAXIMUM SPEED (RPM)	COOLING	FAN DESCRIPTION
					(lb•ft•s ²)	(kg•m ²)	5-MINUTE (Watts)	CONTINUOUS (Watts)			
HD-505-XXX-0100	5N	006646	1.700 N m	10 mN m	1.61 x 10 ⁻⁴	2.18 x 10 ⁻⁴	800	160	25,000	CONVECTION	115V
	5NA	006647									220V
	6N	005295	240.0 oz in	1.0 oz in							115V
	6NA	005290									220V
	7N	005291	17.0 kg cm	0.1 kg cm							115V
	7NA	005291									220V
	8N	005293	1700 mN m	10 mN m							115V
	8NA	005294									220V


SOLID MODEL AVAILABLE

3 DIMENSIONAL VIEW
SCALE 1 : 8



NOTE: DIMENSIONS IN [] ARE MILLIMETERS.

INSTALLATION DRAWING

MATERIAL:	DESIGN	-	-	 MAGTROL INC. 70 GARDENVILLE PKWY, W. BUFFALO, NEW YORK 14224-1322	
	DRAWN	JEF	01/06/11		
FINISH:	CHECKED	AJC	01/14/11	TITLE:	
				HD-505 SHORT BASE DYNO	
THIRD ANGLE PROJECTION	UNLESS OTHERWISE SPECIFIED: DIMENSIONS ARE IN INCHES DIAMETERS CONCENTRIC: .003 TIR FACES PERPENDICULAR: .003 INTERPRETATION PER ASME Y14.5M-1994 REMOVE ALL BURRS AND BREAK SHARP EDGES .005/.010 X 45° INSIDE CORNERS TO BE R .02 MAX TOLERANCES: .XX ± .01 X/Y ± 1/64" .XXX ± .005 ANG ± 1° SURFACE FINISH 125 RMS MAX			USED ON: - SIMILAR TO: - DWG NO:	
THIS DRAWING AND SPECIFICATION CONTAINS PROPRIETARY INFORMATION TO MAGTROL INC. ANY DISCLOSURE OR REPRODUCTION OF THIS DOCUMENT WITHOUT WRITTEN AUTHORIZATION FROM MAGTROL INC. IS EXPRESSLY PROHIBITED				HD-505-0100	REV B
	SIZE	SCALE			
	B	1:6			