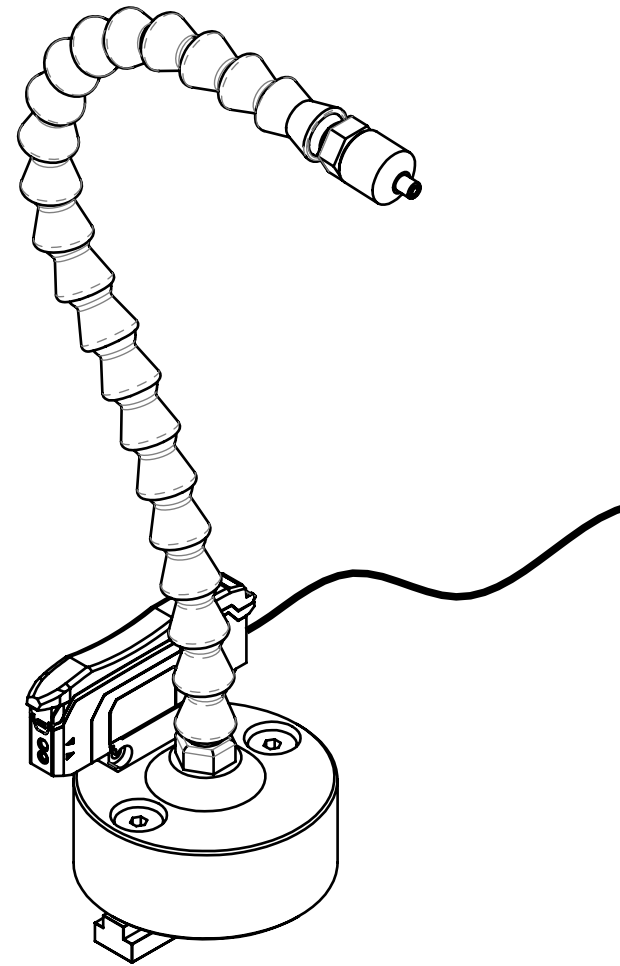
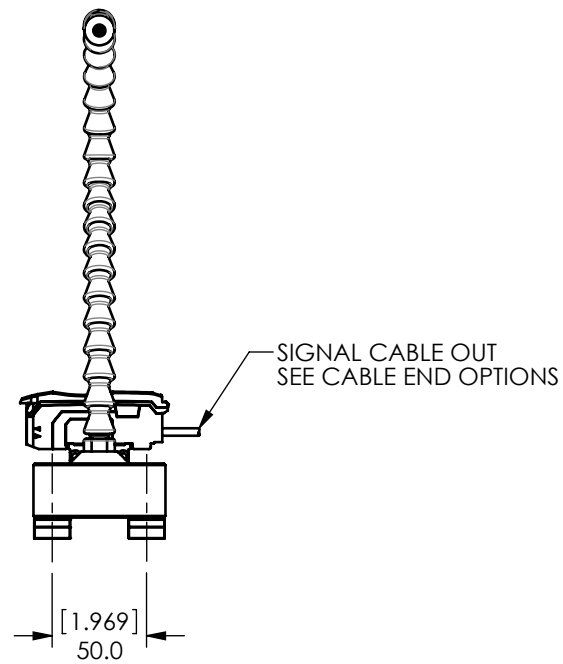
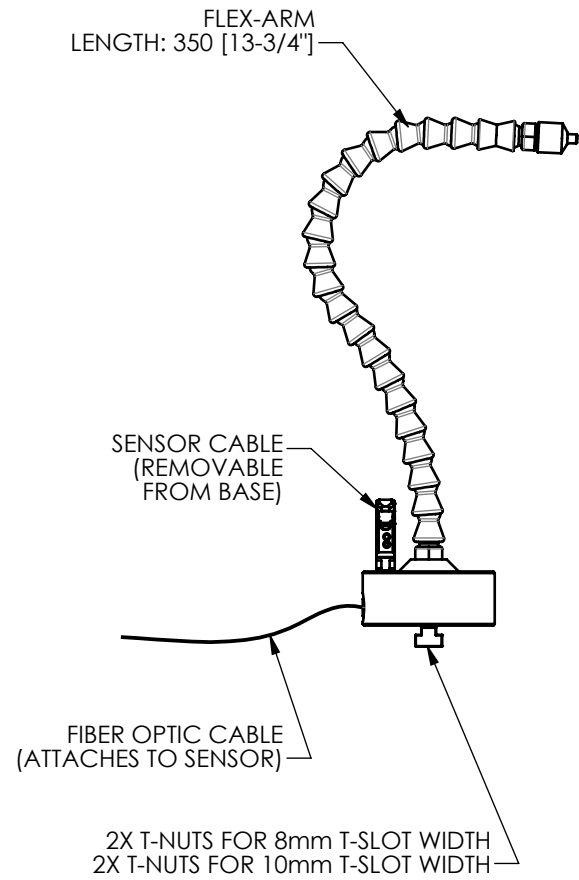
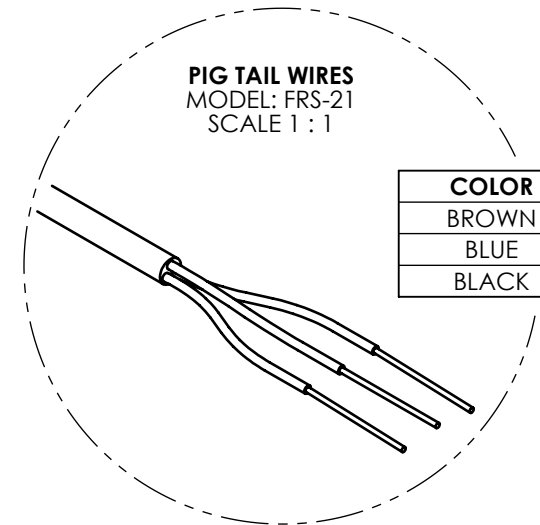
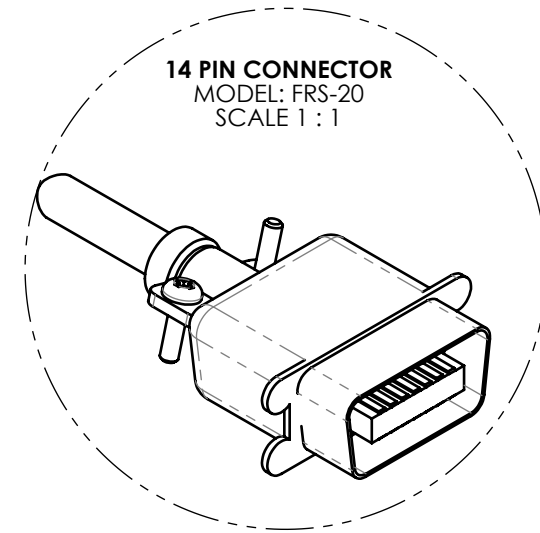



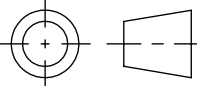
MODEL	FLEX ARM	FLEX-ARM BEND RADIUS	CONNECTION
FRS-20	BLACK PLASTIC	R35 [1-3/8"]	14 PIN CONNECTOR
FRS-21	MODULAR HOSE		PIGTAIL WIRES



3 DIMENSIONAL VIEW
SCALE 1 : 2



INSTALLATION DRAWING

MATERIAL: -	DESIGN	JEF	08/24/10	 MAGTROL INC. 70 GARDENVILLE PKWY, W. BUFFALO, NEW YORK 14224-1322
	DRAWN	JEF	08/27/10	
FINISH: -	CHECKED	AJC	01/17/11	TITLE: FREE RUN SENSOR ASSY
	THIRD ANGLE PROJECTION 			UNLESS OTHERWISE SPECIFIED: DIMENSIONS ARE IN MILLIMETERS DIAMETERS CONCENTRIC: 0.08 TIR FACES PERPENDICULAR: 0.08 INTERPRETATION PER ASME Y14.5M-1994 REMOVE ALL BURRS AND BREAK SHARP EDGES 0.13/0.25 X 45° INSIDE CORNERS TO BE R 0.5 MAX TOLERANCES: X ± 0.4 X.XX ± 0.13 X.X ± 0.25 ANG ± 1° SURFACE FINISH 3.2 μm MAX
THIS DRAWING AND SPECIFICATION CONTAINS PROPRIETARY INFORMATION TO MAGTROL INC. ANY DISCLOSURE OR REPRODUCTION OF THIS DOCUMENT WITHOUT WRITTEN AUTHORIZATION FROM MAGTROL INC. IS EXPRESSLY PROHIBITED				USED ON: - SIMILAR TO: 005560/005561 DWG NO: FRS REV A
SIZE B		SCALE 1:4		