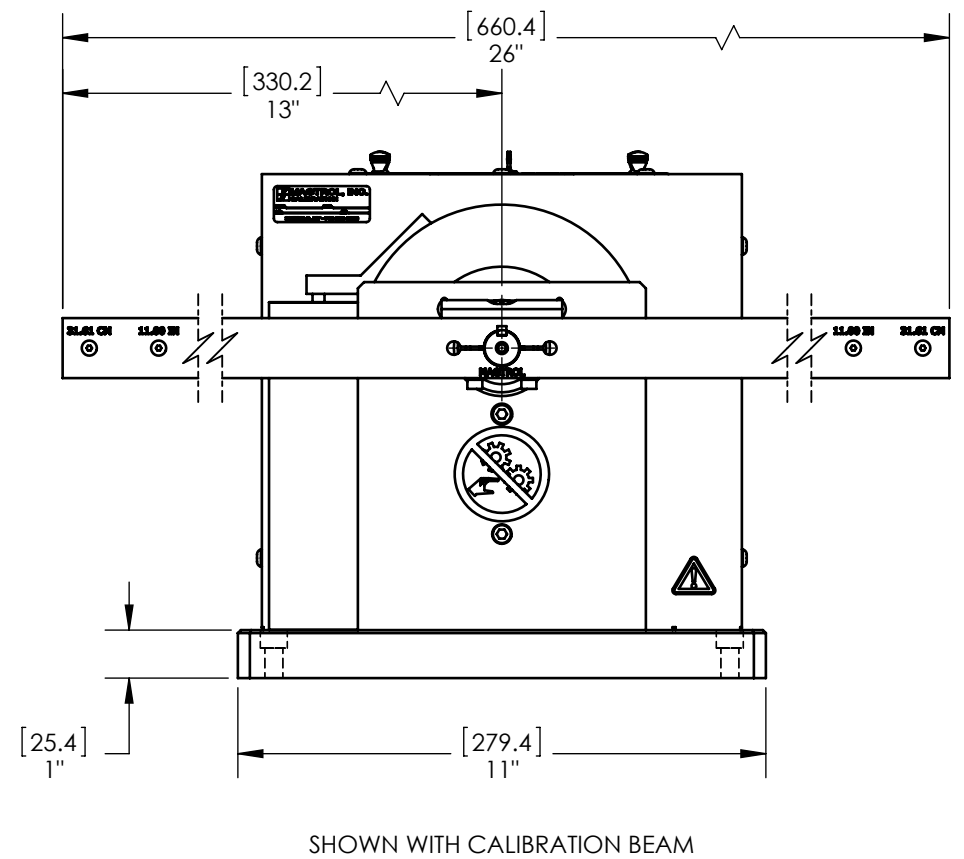
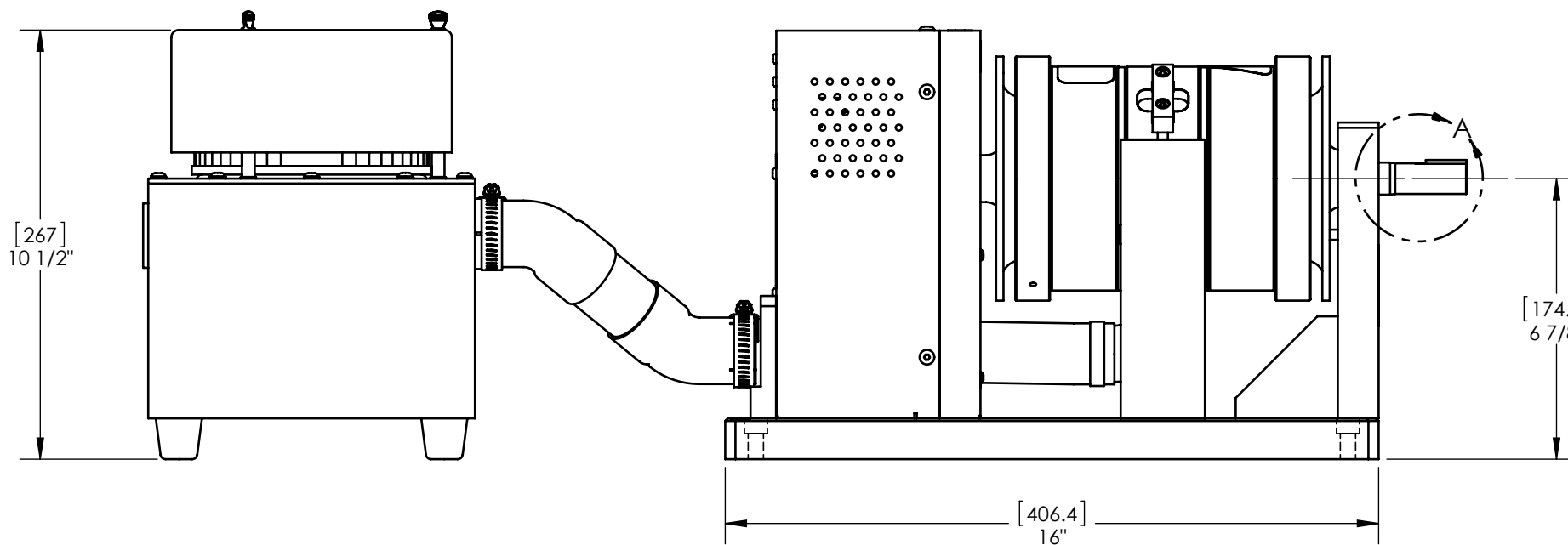
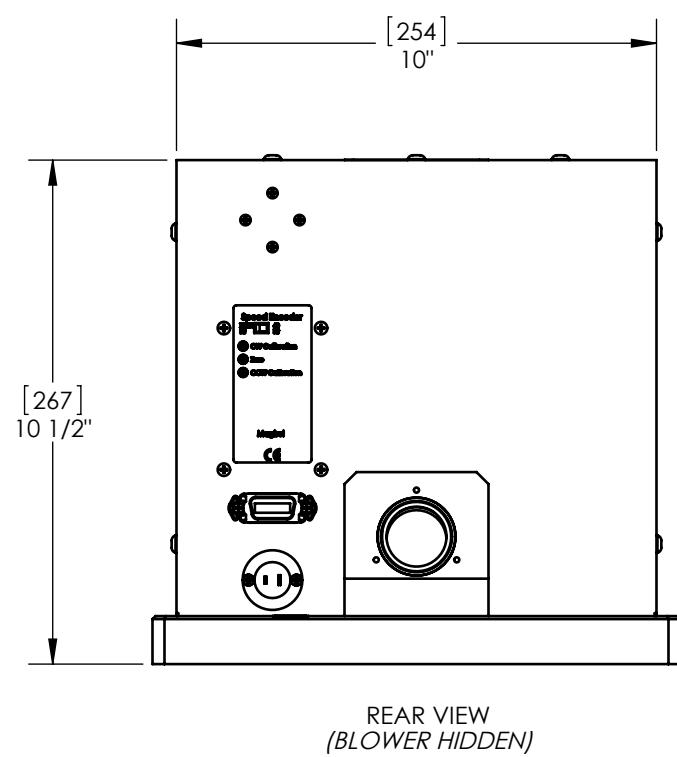
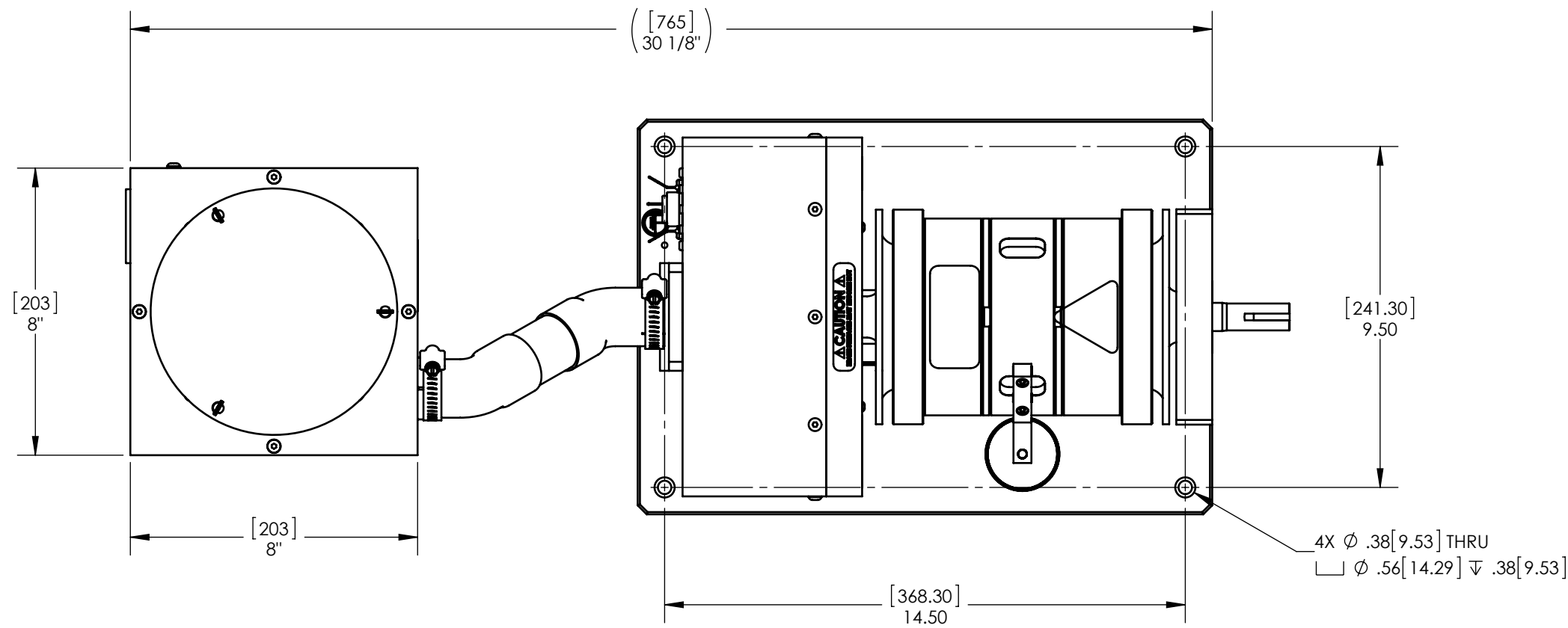
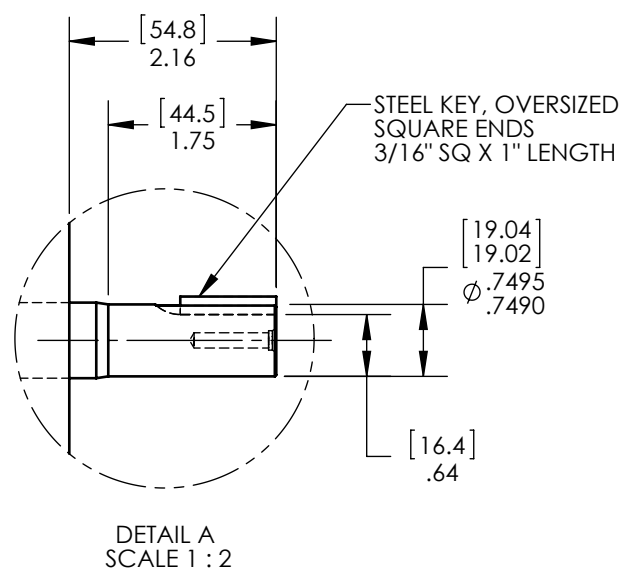
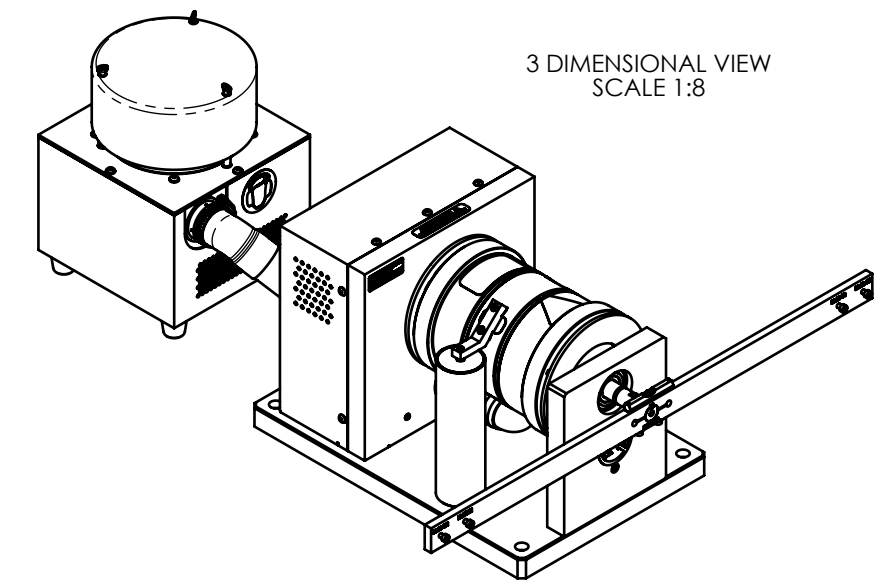


MODEL	TORQUE MEASURE UNIT CODE (-XXX)	STOCK CODE	MAXIMUM TORQUE RANGE	DRAG TORQUE DE-ENERGIZED AT 1000 RPM	NOMINAL INPUT INERTIA		MAXIMUM POWER		MAXIMUM SPEED (RPM)	COOLING	BLOWER MODEL
					(lb•ft•s <sup>2</sup> )	(kg•m <sup>2</sup> )	5-MINUTE (Watts)	CONTINUOUS (Watts)			
ED-715	5N	006994	6.20 N m	0.035 N m	1.27 x 10 <sup>-3</sup>	1.72 x 10 <sup>-3</sup>	3400	3000	25,000	BLOWER (included)	BL-001
	5NA	006995									BL-001-A
	6N	006903									BL-001
	6NA	006996	BL-001-A								
	7N	006997	62.0 kg cm	0.36 kg cm							BL-001
	7NA	006998									BL-001-A
	8N	006999	6.20 N m	0.035 N m							BL-001
	8NA	006863									BL-001-A

SOLID MODEL AVAILABLE



NOTE: DIMENSIONS IN [ ] ARE mm.

INSTALLATION DRAWING

MATERIAL:	DESIGN	-	-	<b>MAGTROL INC.</b> 70 GARDENVILLE PKWY, W. BUFFALO, NEW YORK 14224-1322	TITLE: <b>ED-715 ENGINE DYNO ASSY</b>
FINISH:	DRAWN	JEF	03/27/13		
THIRD ANGLE PROJECTION	CHECKED	AJC	03/27/13	UNLESS OTHERWISE SPECIFIED: DIMENSIONS ARE IN INCHES DIAMETERS CONCENTRIC: .003 TIR FACES PERPENDICULAR: .003 INTERPRETATION PER ASME Y14.5M-1994 REMOVE ALL BURRS AND BREAK SHARP EDGES .005/.010 X 45° INSIDE CORNERS TO BE R .02 MAX TOLERANCES: .XX ± .01 X/Y ± 1/64" .XXX ± .005 X° ± 1° SURFACE FINISH 125 RMS MAX	USED ON: - DWG NO:
	THIS DRAWING AND SPECIFICATION CONTAINS PROPRIETARY INFORMATION TO MAGTROL INC. ANY DISCLOSURE OR REPRODUCTION OF THIS DOCUMENT WITHOUT WRITTEN AUTHORIZATION FROM MAGTROL INC. IS EXPRESSLY PROHIBITED	SIZE: C SCALE: 1:4 SHEET #:	ED-715 REV: A		