

# BSD Moduflex® 9200 Series Couplings for TF Sensors

## FEATURES

- For use with Magtrol TF213 to TF 219 and TF 309 to TF 312 Torque Flange Sensors
- Provides compensation for axial, angular and radial misalignments
- Engagement by friction; torsionally-stiff
- Wear and maintenance-free

## DESIGN

- Double-element
- Compact design
- High speed
- Minimizes reaction forces
- Balancing: G 2.5 / ISO 1940
- Stainless steel disk (nickel plating optional)



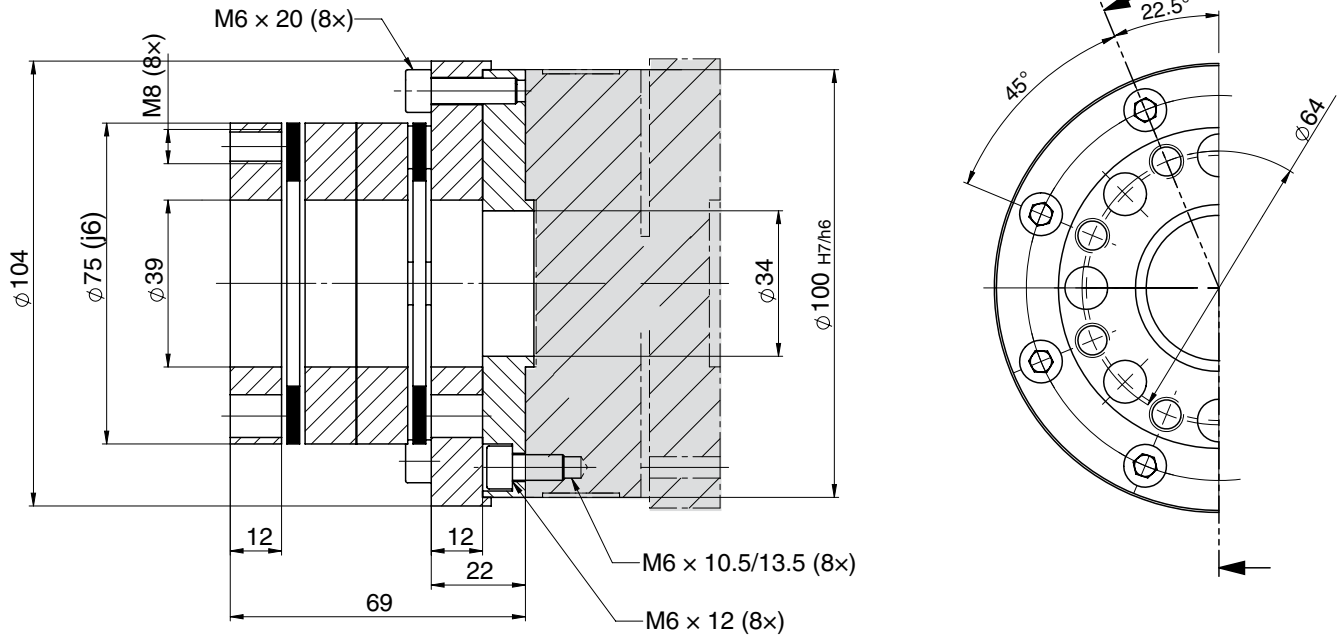
## RATINGS

Coupling Model	For Torque Flange Sensor	Nominal Torque	Max. Coupling Torque	Max. Coupling Speed*	Misalignment			Torsional Stiffness	Moment of Inertia	Weight
					Axial	Radial	Angular			
BSD	TF	Nm	Nm	rpm	mm	mm	°	Nm/rad	kgm <sup>2</sup>	kg
9200-2.8	309-311	280	500	17,000	± 2.0	± 0.38	0.75° per disk pack	0.06 × 10 <sup>6</sup>	0.01	2.33
9200-4.5	312	450	800	17,000	± 2.4	± 0.42		0.09 × 10 <sup>6</sup>	0.01	3.74
9200-17	213-214	1,700	3,150	13,000	± 3.0	± 0.42		0.69 × 10 <sup>6</sup>	0.02	5.85
9200-28	215	2,800	5,000	13,000	± 3.2	± 0.45		1.20 × 10 <sup>6</sup>	0.04	8.10
9200-64	216	6,400	12,500	8,000	± 4.2	± 0.65		2.51 × 10 <sup>6</sup>	0.15	20.00
9200-110	217	11,000	20,000	8,000	± 5.0	± 0.75		3.60 × 10 <sup>6</sup>	0.28	28.25
9200-640	218-219	64,000	125,000	3,000	± 8.2	± 1.33		2.23 × 10 <sup>7</sup>	3.67	136.50

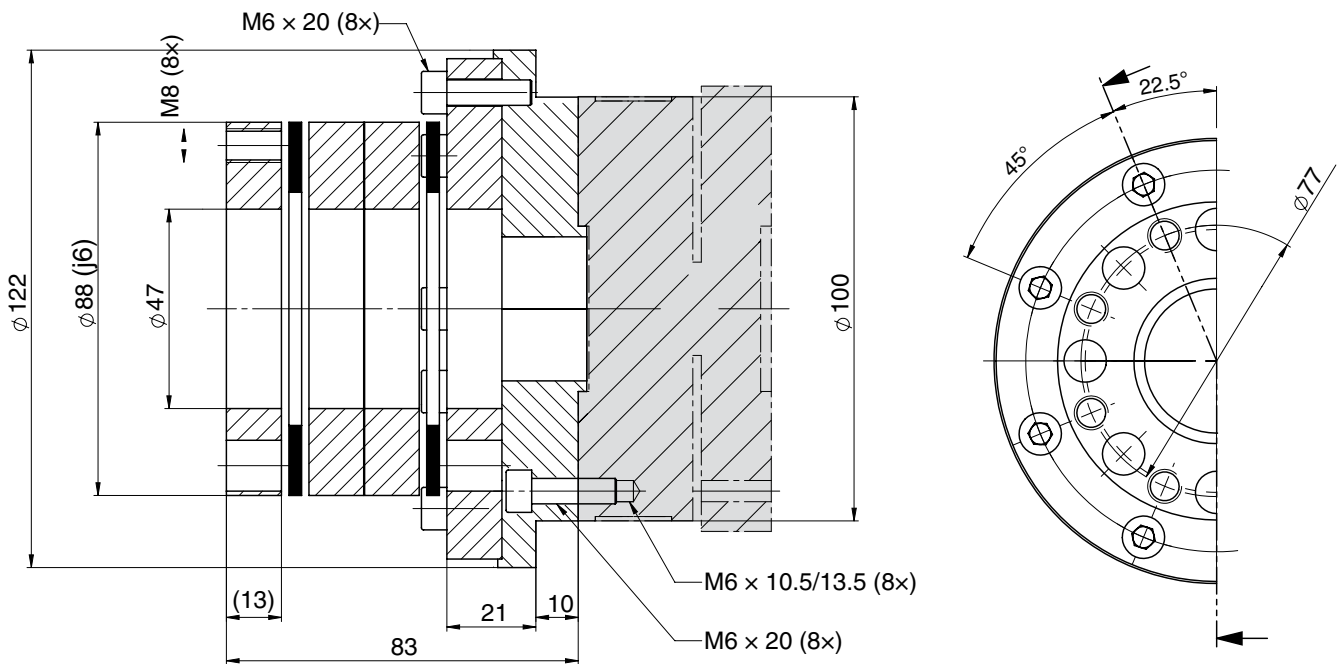
\* Higher speeds available on request.

Moduflex® is a registered trademark of Rexnord Antriebstechnik. All ratings listed are Manufacturer's Specifications.

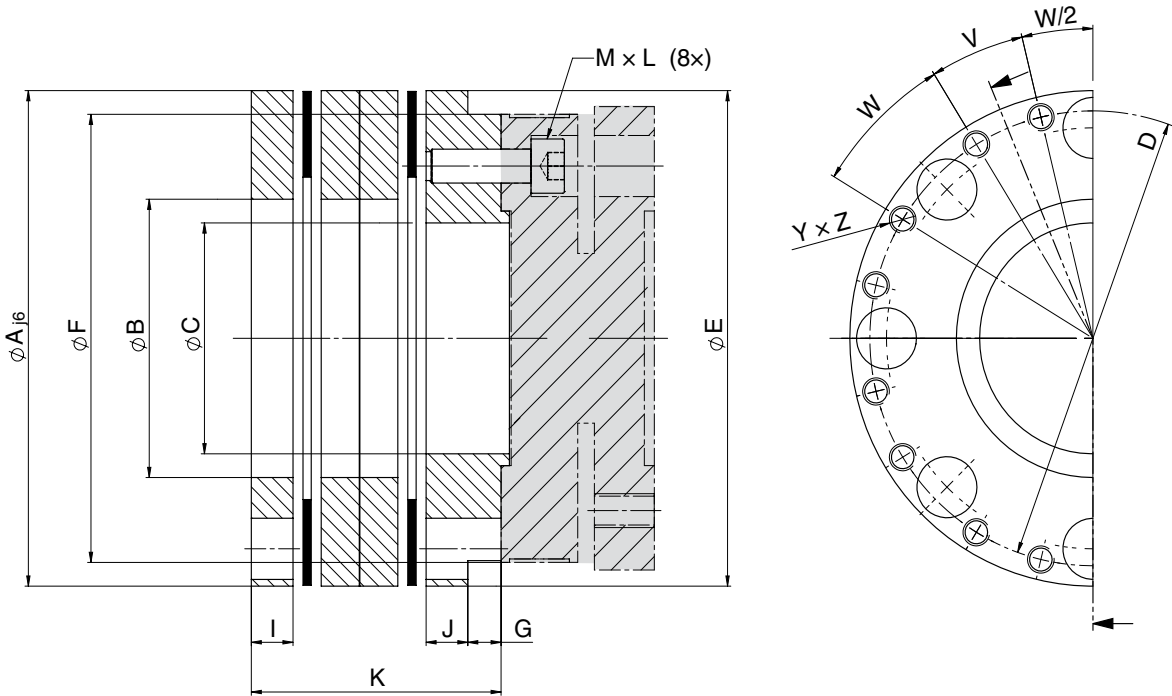
**COUPLINGS FOR TF 309-TF 311 SENSORS**



**COUPLINGS FOR TF 312 SENSORS**



**COUPLINGS FOR TF 213–TF 219 SENSORS**



BSD Model	A <sub>J6</sub>	Ø B	Ø C	D	Ø E	Ø F	G	I	J	K	L	M	V	W	Y	Z
9200-17	146	82	68	134	146	132	10	12.5	12.5	75	30	M10	18°	27°	16	M8
9200-28	170	90	80	154	166	---	0	13.0	15.0	71	30	M12	18°	27°	16	M10
9200-64	222	118	---	200	222	---	0	19.1	19.1	100	35	M14	15°	30°	16	M16
9200-110	285	152	---	258	285	---	0	22.8	22.8	116	40	M16	15°	30°	16	M20
9200-640	408	215	---	369	408	---	0	40.5	40.5	203	60	M30	15°	30°	16	M30

**ORDERING INFORMATION**

TF Torque Flange Sensor	BSD Moduflex® 9200 Coupling
TF 309 to TF 311	BSD 9200-2.8-200
TF 312	BSD 9200-4.5-200
TF 213 and TF 214	BSD 9200-17-200
TF 215	BSD 9200-28-200
TF 216	BSD 9200-64-200
TF 217	BSD 9200-110-200
TF 218 and TF 219	BSD 9200-640-200

*Due to the continual development of our products, we reserve the right to modify specifications without forewarning.*



[www.magtrol.com](http://www.magtrol.com)

**MAGTROL INC**  
 70 Gardenville Parkway  
 Buffalo, New York 14224 USA  
 Phone: +1 716 668 5555  
 Fax: +1 716 668 8705  
 E-mail: [magtrol@magtrol.com](mailto:magtrol@magtrol.com)

**MAGTROL SA**  
 Centre technologique Montena  
 1728 Rossens/Fribourg, Switzerland  
 Phone: +41 (0)26 407 3000  
 Fax: +41 (0)26 407 3001  
 E-mail: [magtrol@magtrol.ch](mailto:magtrol@magtrol.ch)

**Subsidiaries in:**  
 Germany • France  
 China • India  
 Worldwide Network  
 of Sales Agents

