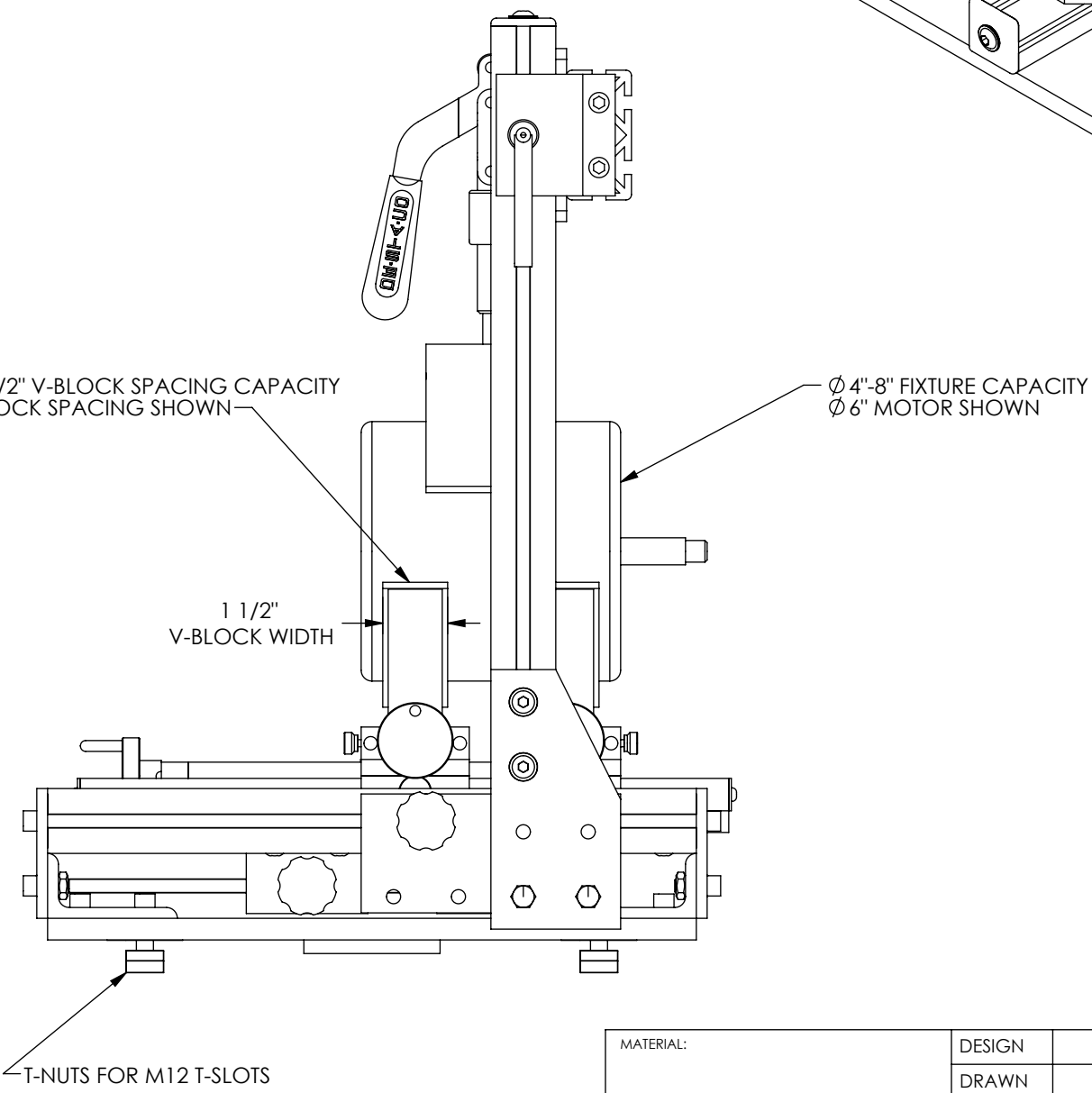

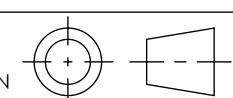


2 1/2" -12 1/2" V-BLOCK SPACING CAPACITY  
3 1/2" V-BLOCK SPACING SHOWN



MATERIAL:	DESIGN	DTW	04-15-06	 <b>MAGTROL INC.</b> 70 GARDENVILLE PKWY, W. BUFFALO, NEW YORK 14224-1322
FINISH:	DRAWN	DTW	01-14-08	
	CHECKED			
THIRD ANGLE PROJECTION 				TITLE <b>AMF-V FIXTURE, AUTO CENTERING WITH CLAMPING</b>
THIS DRAWING AND SPECIFICATION CONTAINS PROPRIETARY INFORMATION TO MAGTROL INC. ANY DISCLOSURE OR REPRODUCTION OF THIS DOCUMENT WITHOUT WRITTEN AUTHORIZATION FROM MAGTROL INC. IS EXPRESSLY PROHIBITED.				USED ON: SIMILAR TO: DWG. NO. <b>005114</b>
UNLESS OTHERWISE SPECIFIED: DIMENSIONS ARE IN INCHES. DIAMETERS CONCENTRIC: .003 TIR, FACES PERPENDICULAR: .003 INTERPRETATION PER ASME Y14.5M-1994 REMOVE ALL BURRS AND BREAK SHARP EDGES .005/.010 X 45°. ALL INSIDE CORNERS TO BE .02 R MAX. TOLERANCES: .XX ± .01    FRAC. ± 1/64" .XXX ± .005    ANG. ± 1° SURFACE FINISH 125 RMS MAX. U.O.S.				REV SIZE <b>C</b> SCALE <b>1:4</b> SHEET # <b>1 OF 1</b>

LETTER	DATE	BY	ECN	REVISIONS	DESCRIPTION