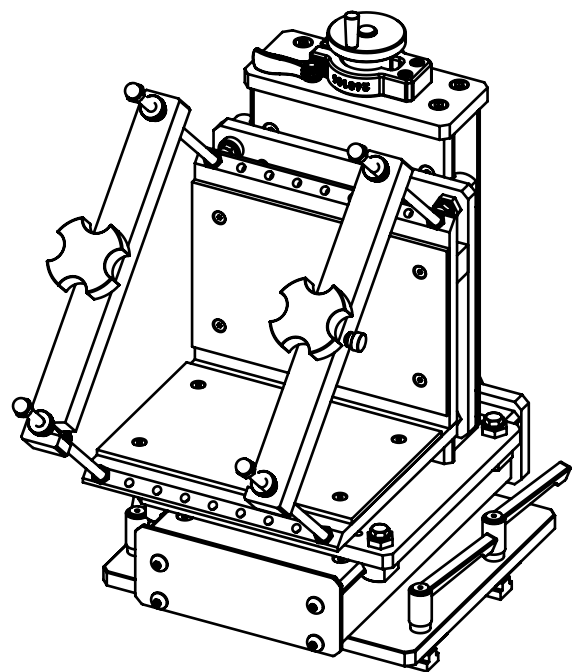

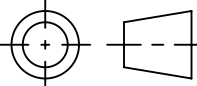


ADJUSTABILITY TABLE



NOTE: DIMENSIONS IN [] ARE INCHES.

LETTER	DATE	BY	ECO	DESCRIPTION
REVISIONS				

MATERIAL: -	DESIGN	MK	3/01/2023	 MAGTROL INC. 70 GARDENVILLE PKWY, W. BUFFALO, NEW YORK 14224-1322
	DRAWN	MK	3/24/2023	
FINISH: -	CHECKED	JS	4/5/2023	TITLE: ADJUSTABLE MOTOR FIXTURE
	THIRD ANGLE PROJECTION 			UNLESS OTHERWISE SPECIFIED: DIMENSIONS ARE IN MILLIMETERS DIAMETERS CONCENTRIC: .08 TIR FACES PERPENDICULAR: .08 INTERPRETATION PER ASME Y14.5M-1994 REMOVE ALL BURRS AND BREAK SHARP EDGES 0.13/0.25 X 45° INSIDE CORNERS TO BE R 0.5 MAX TOLERANCES: .X ± .25 X ± .4 .XX ± .13 X° ± 1° SURFACE FINISH 3.2 μm MAX
THIS DRAWING AND SPECIFICATION CONTAINS PROPRIETARY INFORMATION TO MAGTROL INC. ANY DISCLOSURE OR REPRODUCTION OF THIS DOCUMENT WITHOUT WRITTEN AUTHORIZATION FROM MAGTROL INC. IS EXPRESSLY PROHIBITED				USED ON: - SIMILAR TO: 204225 DWG NO: AMF-3i
			SIZE B SCALE 1:4 SHEET # 1 OF 1	REV -