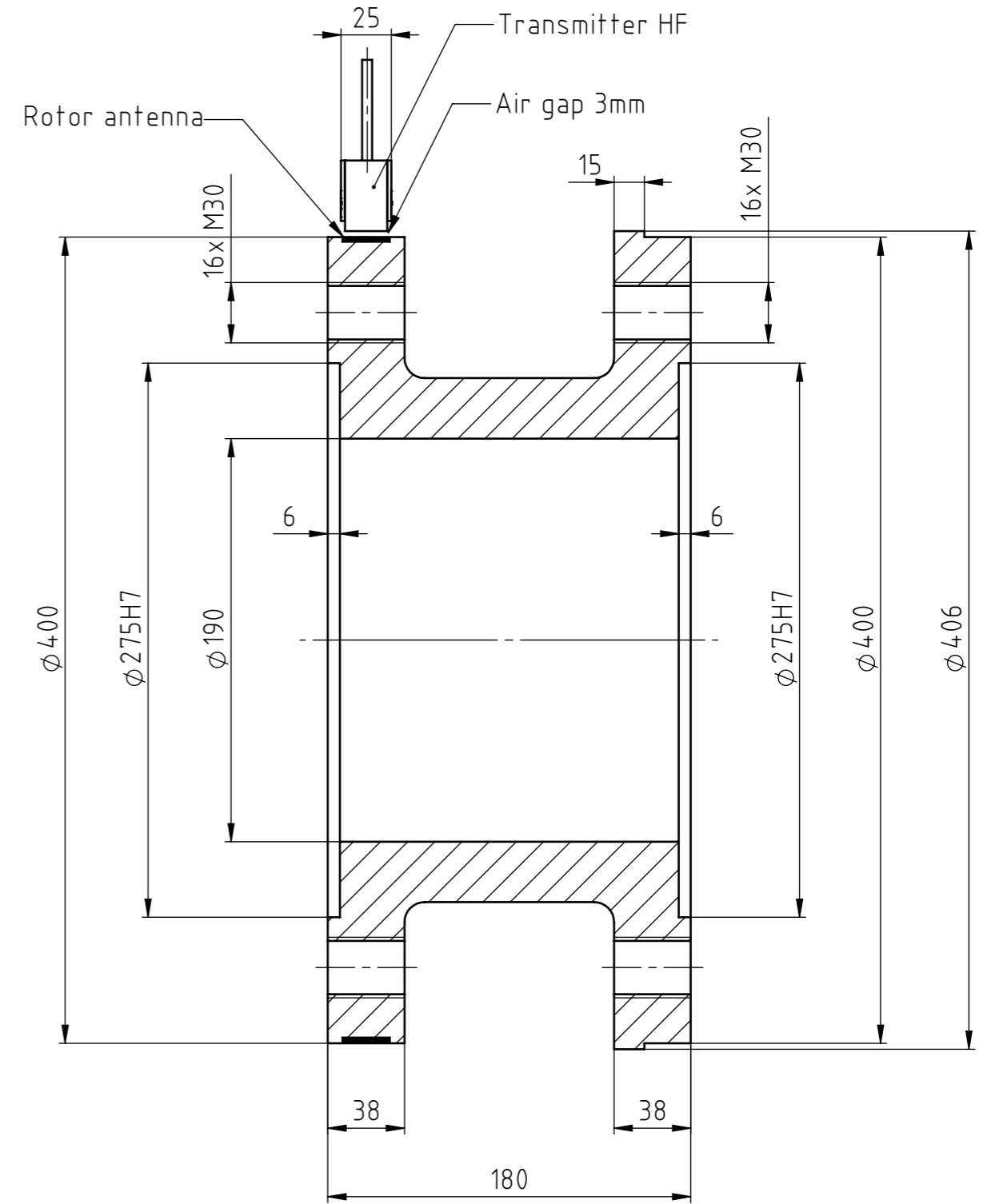
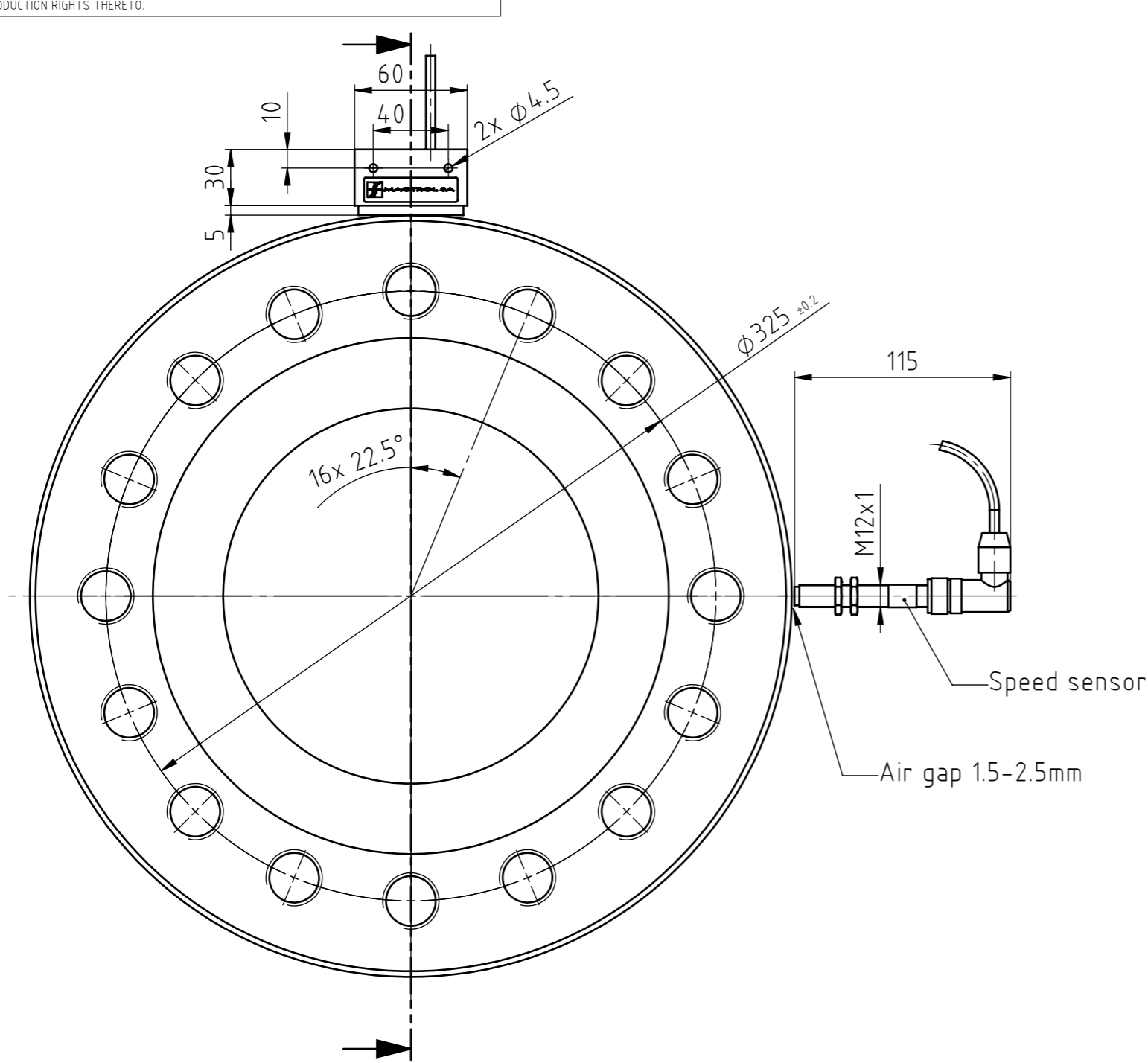


THE INFORMATION DISCLOSED HEREIN WAS ORIGINATED BY AND IS THE PROPERTY OF MAGTROL SA. MAGTROL SA RESERVES ALL PATENT PROPRIETARY, DESIGN, USE, SALE, MANUFACTURING AND REPRODUCTION RIGHTS THERETO.



Error of linearity: 0.25%
 Maximum torque: 180% of nominal
 Maximum speed: 3'500 rpm
 Sensitivity: 0.8mV/V
 Strain gauge bridge: 700Ω
 Rated temperature range: +10°C to + 85°C
 Storage temperature range: -25°C to + 85°C
 Protection class: IP42

6																		
5																		
4																		
3																		
2																		
1																		
Rev.	Date	PM	Drawn	Appr.	Repl. by :													
					Repl. for :													
Tolerances: ± . . mm to 50mm, ± . . mm over 50mm																		
Material:						Scale												
Finish:						1:3		<table border="1"> <tr> <td>Drawn</td> <td>06.01.16</td> <td>blot</td> </tr> <tr> <td>Checked</td> <td></td> <td></td> </tr> <tr> <td>Approved</td> <td>06.01.16</td> <td>acot</td> </tr> </table>		Drawn	06.01.16	blot	Checked			Approved	06.01.16	acot
Drawn	06.01.16	blot																
Checked																		
Approved	06.01.16	acot																
TF320 (100kNm)						DRAWING N°												
Torque Flange TF300						425-320-000V011												