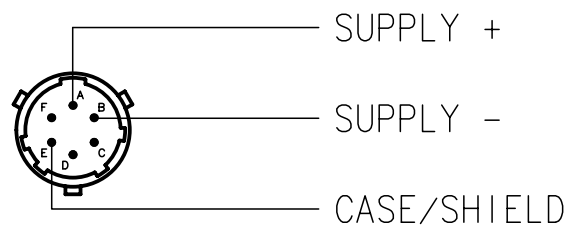
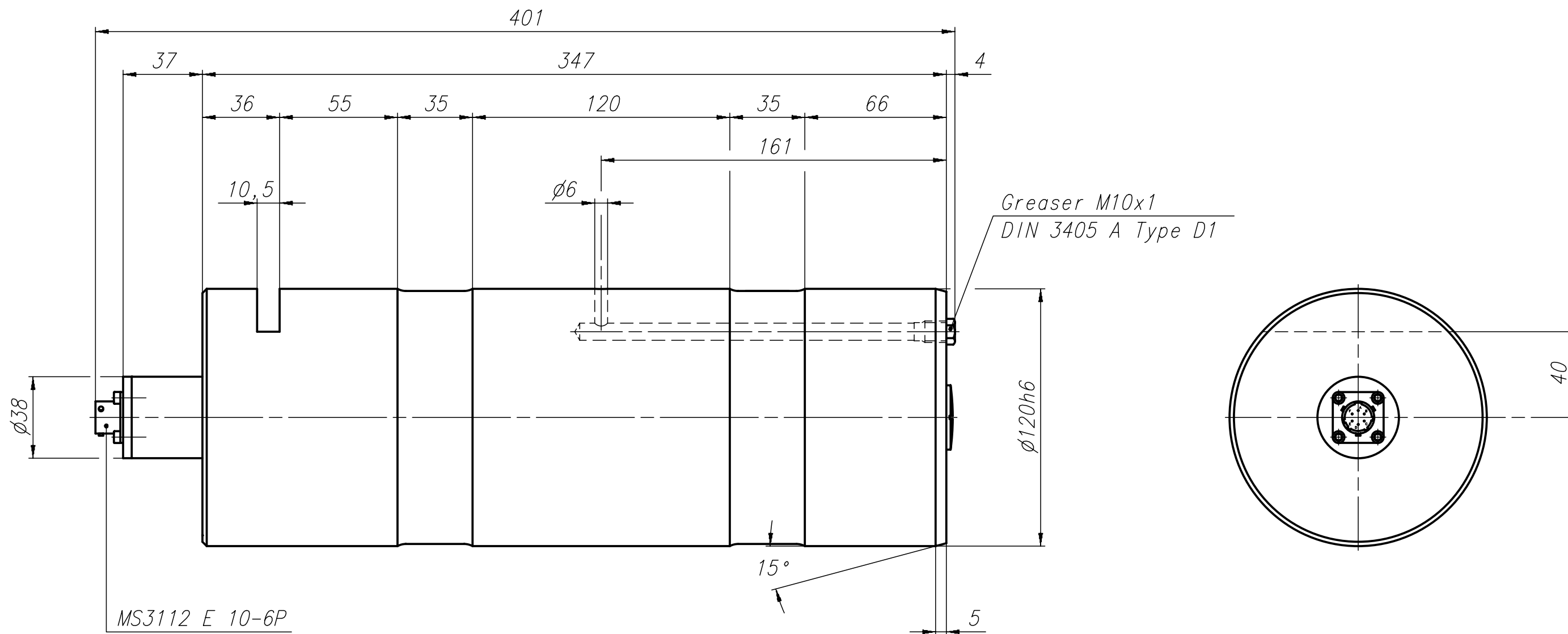


THE INFORMATION DISCLOSED HEREIN WAS ORIGINATED BY AND IS THE PROPERTY OF MAGTROL SA. MAGTROL SA RESERVES ALL PATENT, PROPRIETARY, DESIGN, USE, SALE, MANUFACTURING AND REPRODUCTION RIGHTS THERETO.



|  |      |    |       |                  |                                       |  |                     |                   |                        |        |
|--|------|----|-------|------------------|---------------------------------------|--|---------------------|-------------------|------------------------|--------|
| 6  |      |    |       |                  |                                       |  |                     |                   |                        |        |
| 5  |      |    |       |                  |                                       |  |                     |                   |                        |        |
| 4  |      |    |       |                  |                                       |  |                     |                   |                        |        |
| 3  |      |    |       |                  |                                       |  |                     |                   |                        |        |
| 2  |      |    |       |                  |                                       |  |                     |                   |                        |        |
| 1  |      |    |       |                  |                                       |  |                     |                   |                        |        |
| Rev.   | Date | PM | Drawn | Appr.            | Repl. by :                            |  |                     | <b>MAGTROL SA</b> |                        |        |
|  |      |    |       |                  | Repl. for: 422-221-000V031 (PM-02086) |  |                     |                   |                        |        |
| Tolerances: ± mm to 50 mm; ± mm over 50 mm               |      |    |       |                  |                                       |  | Scale<br><b>1:2</b> | Drawn             | 02.04.03               | C.S.   |
| Material: 1.4057   |      |    |       |                  |                                       |  |                     | Checked           |                        |        |
| Finish :   |      |    |       |                  |                                       |  |                     | Approved          | 08.04.03               | N.Buri |
| <b>LOAD MEASURING PIN WITH ELECTRONIC 4-20 mA 1250kN</b> |      |    |       |                  |                                       |  | DRAWING N°          |                   | <b>422-221-000V033</b> |        |
| P/N: 422-221-000-03X                                     |      |    |       | TYPE: LE 221/03X |                                       |  |                     |                   |                        |        |