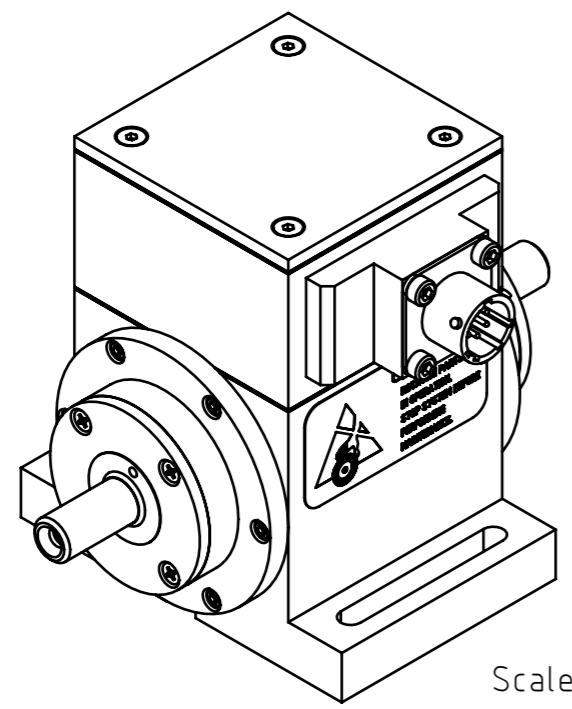
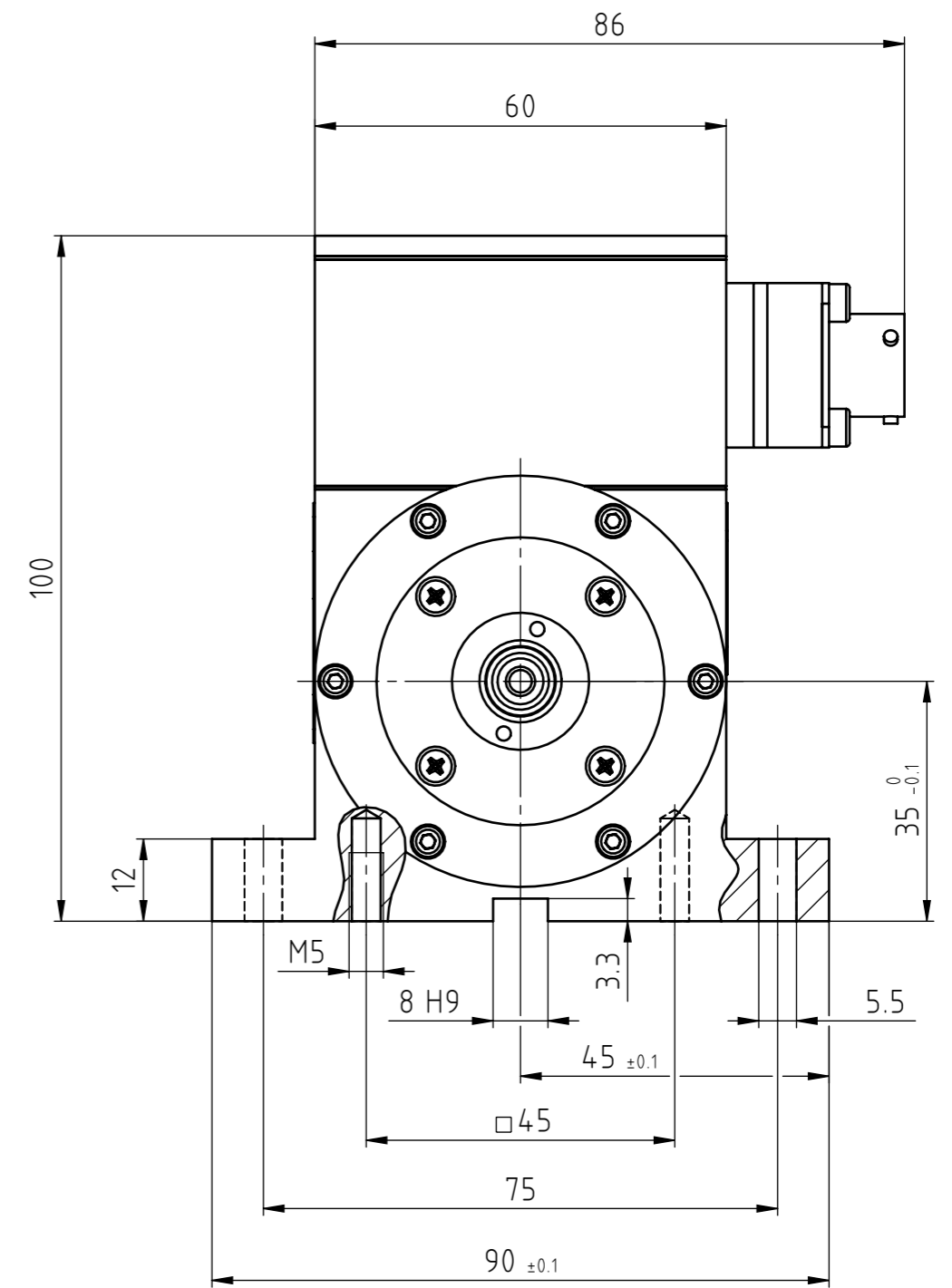
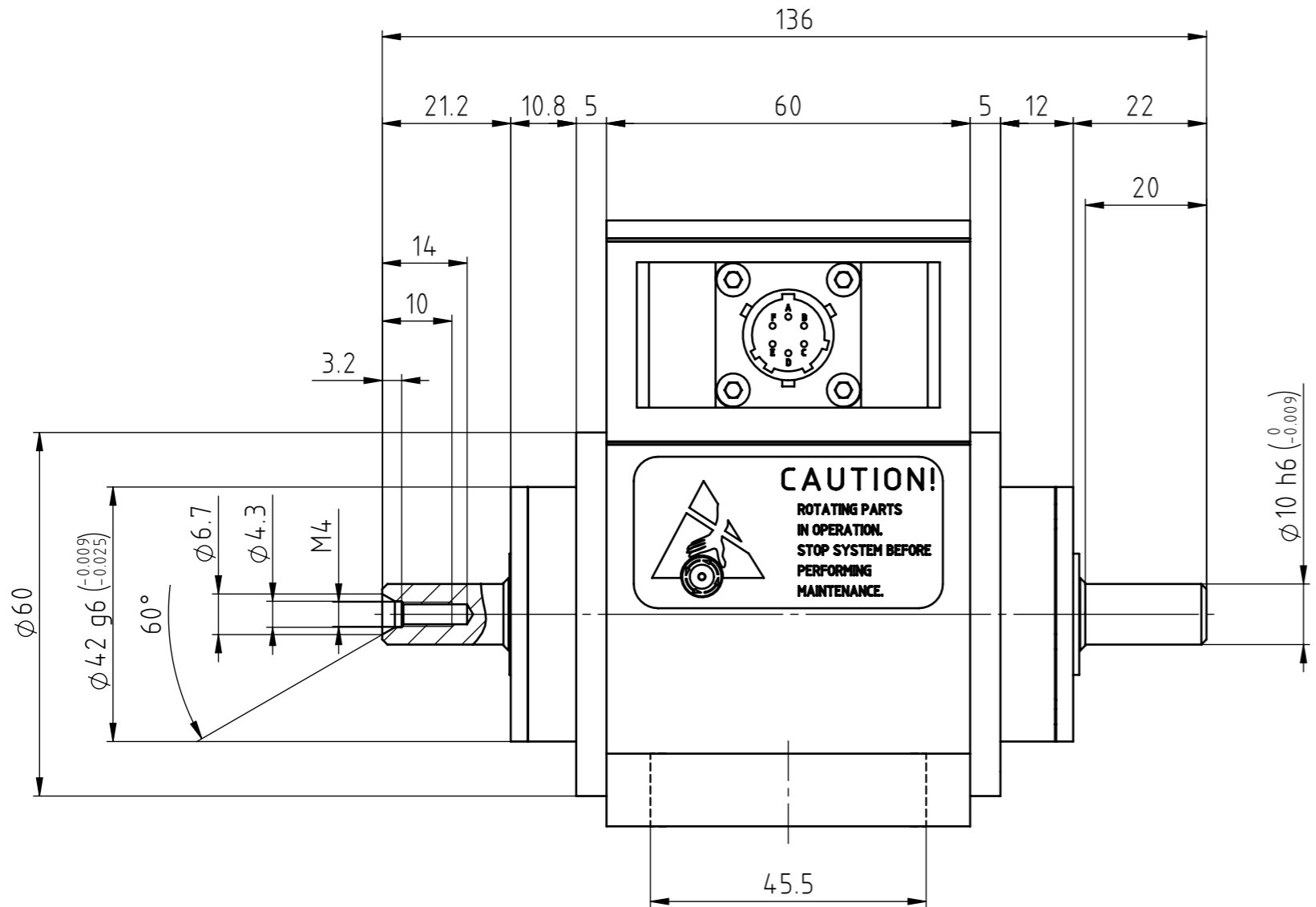


THE INFORMATION DISCLOSED HEREIN WAS ORIGINATED BY AND IS THE PROPERTY OF MAGTROL SA. MAGTROL SA RESERVES ALL PATENT PROPRIETARY, DESIGN, USE, SALE, MANUFACTURING AND REPRODUCTION RIGHTS THERETO.



Scale 1:1.5

6									
5									
4									
3									
2									
1									
Rev.	Date	PM	Drawn	Appr.	Repl. by :				
					Repl. for :				
Tolerances: \pm mm to 50mm, \pm mm over 50mm									
Material:									
Finish:									
TORQUE TRANSDUCER TM304÷308						DRAWING N°			
SMOOTH SHAFT ENDS						415-304-000V051			

MAGTROL SA
SWITZERLAND

Scale 1:1

Drawn	20.12.16	ydaf
Checked	20.12.16	acot
Approved	20.12.16	blot