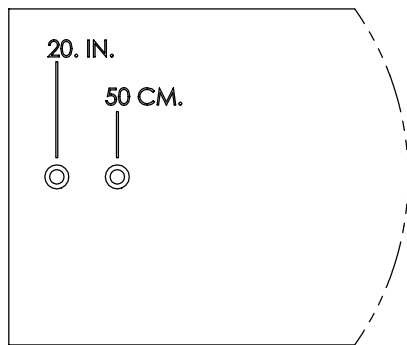
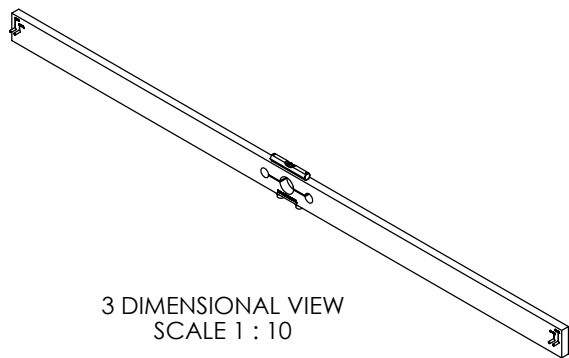


DETAIL A
SCALE 1 : 1



NOTES:
1. DIMENSIONS ARE FOR REFERENCE ONLY
2. PIN LOCATIONS ARE ±.005" [.13 mm] FROM CENTER



3 DIMENSIONAL VIEW
SCALE 1 : 10

LETTER	DATE	BY	ECN	DESCRIPTION
REVISIONS				

6	506805	WASHER, FLAT, 1/4 X 1/2 OD	2
5	505948	SHCS 1/4-20 X 1 1/2	2
4	505789	PIN D Ø1/8 X 7/8	4
3	507719	RHMS 0-80 X 1/2 STN STL	2
2	404558	LEVEL REWORK, CAL BEAMS	1
1	404664	CALIBRATION BEAM	1
ITEM NO.	PART NUMBER	DESCRIPTION	QTY

MATERIAL:	DESIGN	-	-
	DRAWN	JEF	01/20/05
FINISH:	CHECKED	DTW	02/03/05

THIRD ANGLE PROJECTION

UNLESS OTHERWISE SPECIFIED:
DIMENSIONS ARE IN INCHES,
DIAMETERS CONCENTRIC-.003 TIR,
FACES PERPENDICULAR-.003
INTERPRETATION PER ASME
Y14.5M-1994
REMOVE ALL BURRS AND BREAK
SHARP EDGES .005/.010 X 45°, ALL
INSIDE CORNERS TO BE .02 R MAX.
TOLERANCES
.XX ±.010 FRAC. ±1/64"
.XXX ±.005 ANG. ±1°
SURFACE FINISH 125 RMS MAX. U.O.S.

THIS DRAWING AND SPECIFICATION
CONTAINS PROPRIETARY INFORMATION
TO MAGTROL INC. ANY DISCLOSURE
OR REPRODUCTION OF THIS DOCUMENT
WITHOUT WRITTEN AUTHORIZATION FROM
MAGTROL INC. IS EXPRESSLY PROHIBITED

MAGTROL INC.
70 GARDENVILLE PKWY, W.
BUFFALO, NEW YORK 14224-1322

TITLE CAL BEAM ASSY, HD-800's		
USED ON: -	REV	
SIMILAR TO: -	-	
DWG. NO.	400800	
SIZE	SCALE	SHEET #
B	1:4	1 OF 1