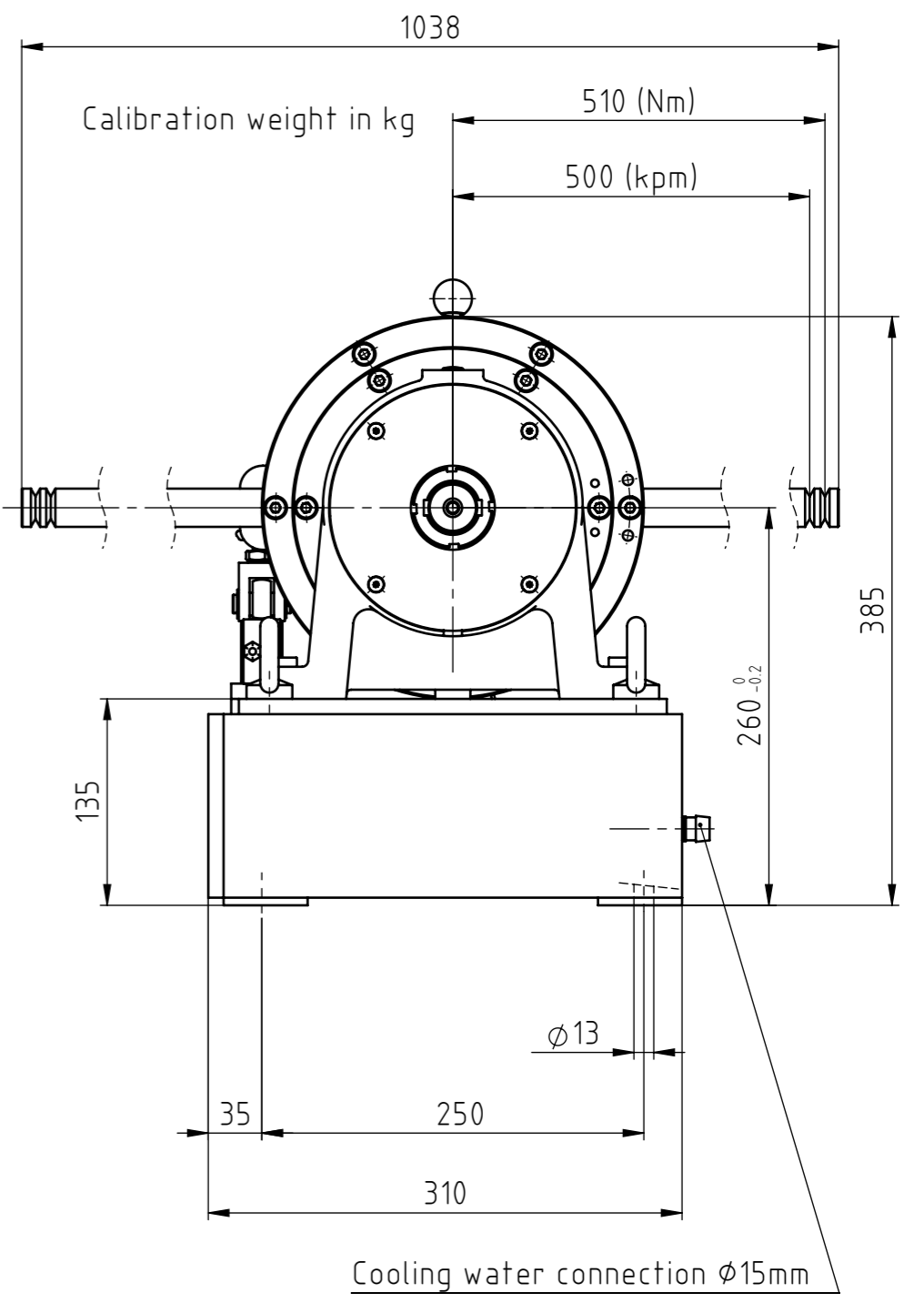
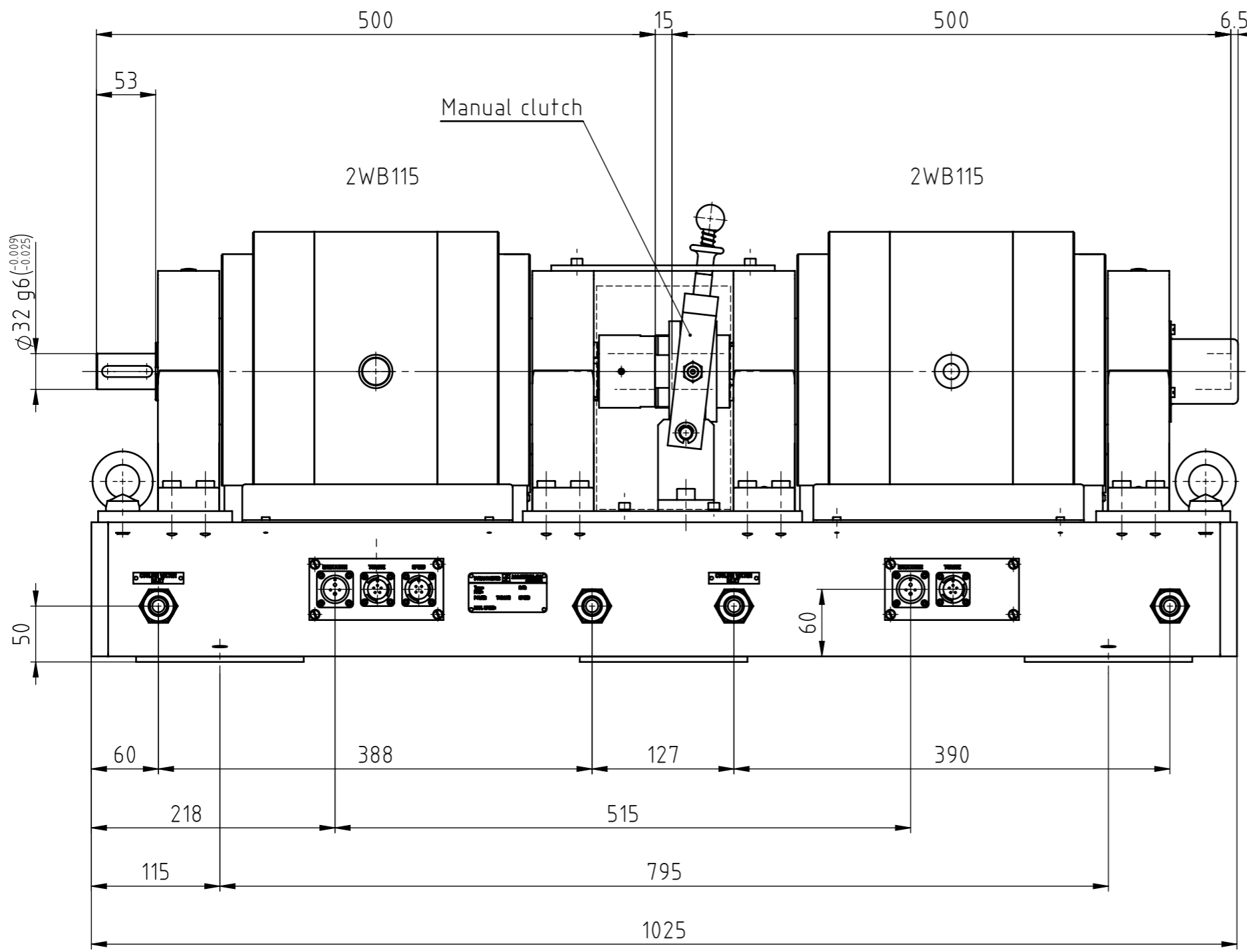


THE INFORMATION DISCLOSED HEREIN WAS ORIGINATED BY AND IS THE PROPERTY OF MAGTROL SA. MAGTROL SA RESERVES ALL PATENT PROPRIETARY, DESIGN, USE, SALE, MANUFACTURING AND REPRODUCTION RIGHTS THERETO.



6									
5									
4									
3									
2									
1									
Rev.	Date	PM	Drawn	Appr.	Repl. by :				
					Repl. for:				
Tolerances: ± mm to 50mm, ± mm over 50mm									
Material:						Scale 1:4.5			
Finish:						DRAWING N°			
Tandem dynamometers						343-221-000V051			
2WB115+K+2WB115									

MAGTROL SA
SWITZERLAND

Drawn	01.02.07	J.Sottaz
Checked		
Approved	01.02.07	N.Buri