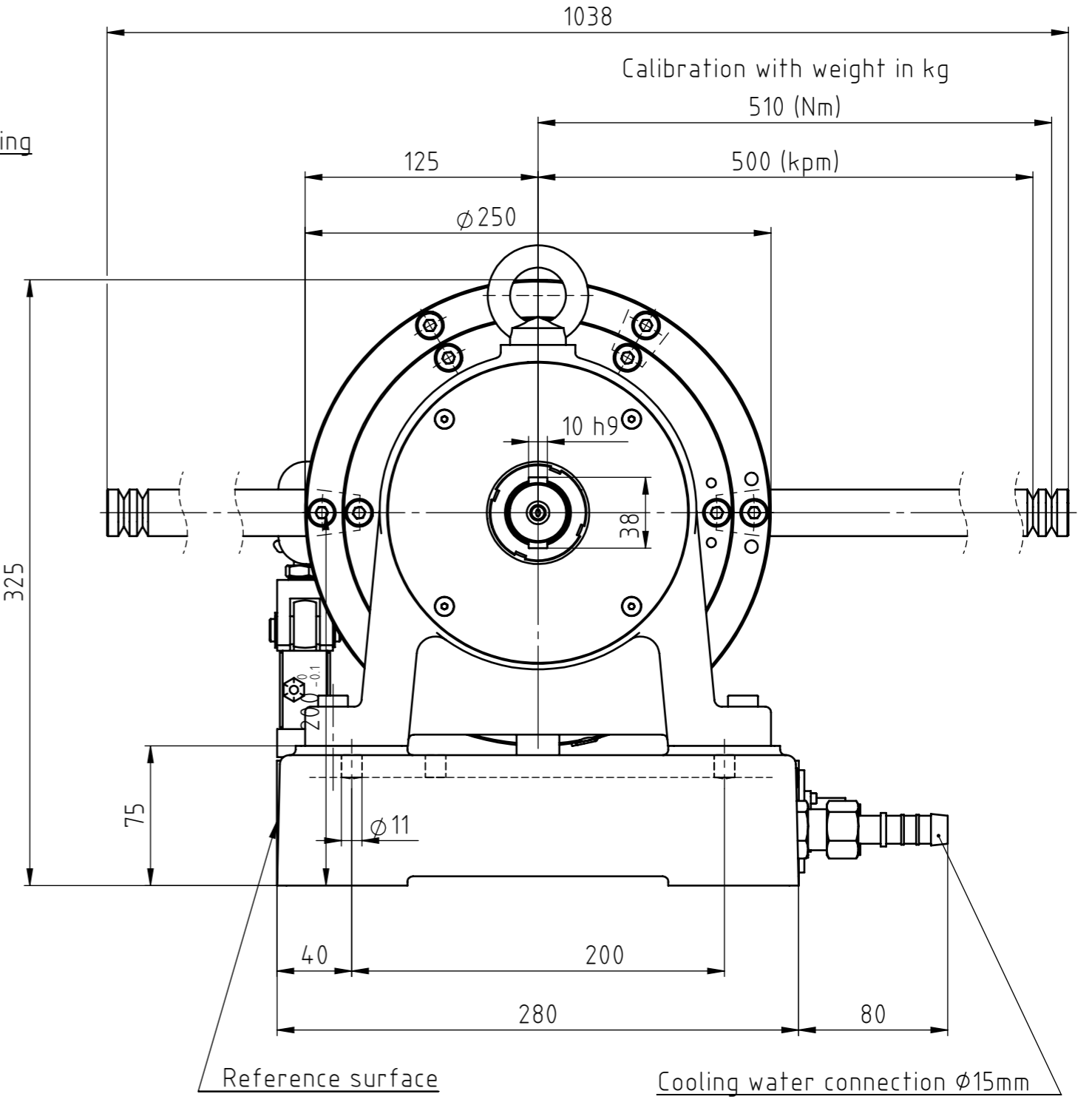
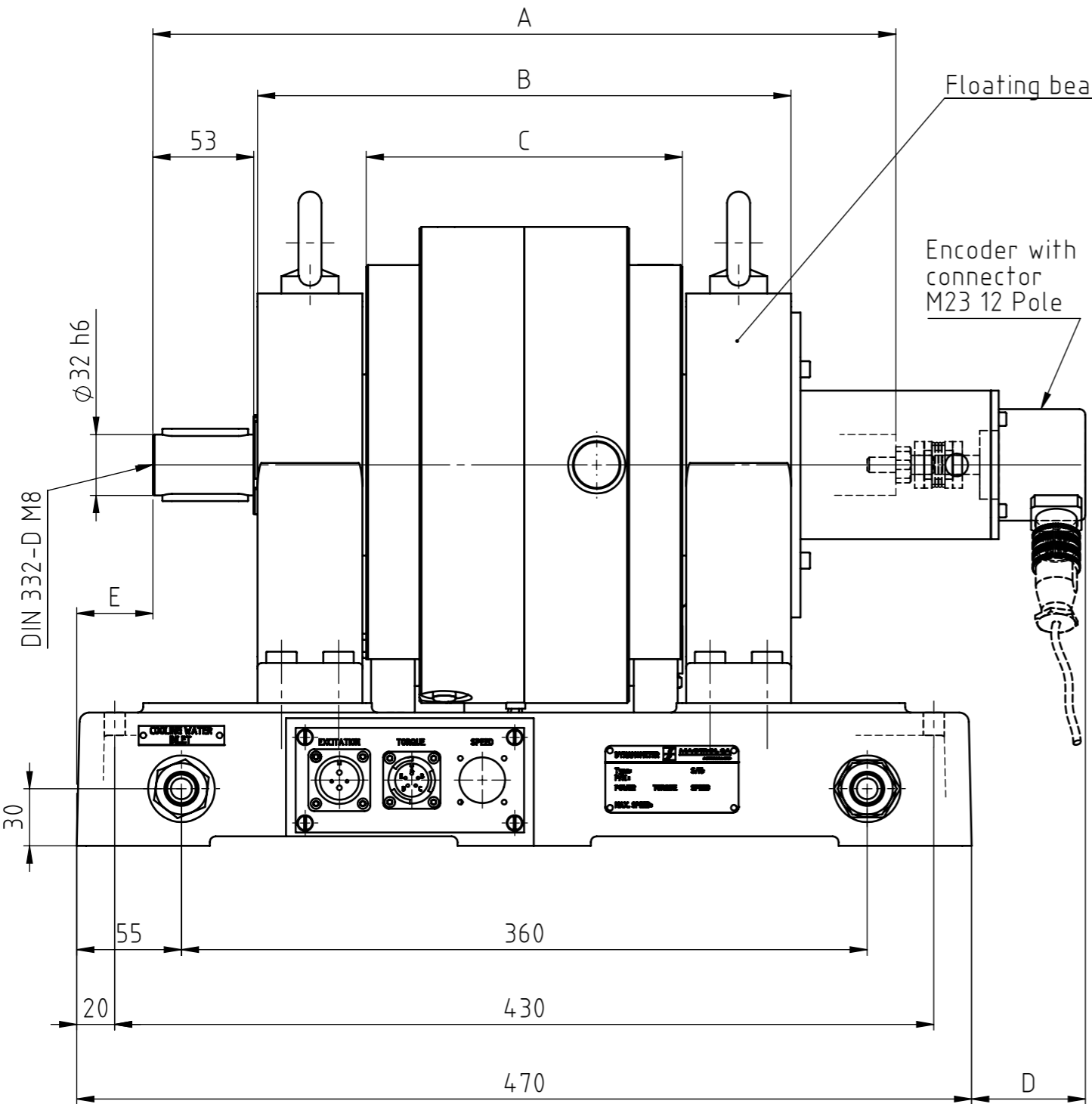


THE INFORMATION DISCLOSED HEREIN WAS ORIGINATED BY AND IS THE PROPERTY OF MAGTROL SA. MAGTROL SA RESERVES ALL PATENT PROPRIETARY, DESIGN, USE, SALE, MANUFACTURING AND REPRODUCTION RIGHTS THERETO.



Type	A	B	C	D	E
1PB115-DG	390	280	166	60	40
2PB115-DG	500	390	276	115	-15

6																	
5																	
4																	
3																	
2																	
1																	
Rev.	Date	PM	Drawn	Appr.	Repl. by :												
					Repl. for:												
Tolerances: ± mm to 50mm, ± mm over 50mm																	
Material:						Scale 1:3											
Finish:						DRAWING N°											
Magnetpulverbremse 1-2PB115 DG						<table border="1"> <tr> <td>Drawn</td> <td>23.06.16</td> <td>Ajoy</td> </tr> <tr> <td>Checked</td> <td></td> <td></td> </tr> <tr> <td>Approved</td> <td>23.06.16</td> <td>Acot</td> </tr> </table>			Drawn	23.06.16	Ajoy	Checked			Approved	23.06.16	Acot
						Drawn	23.06.16	Ajoy									
Checked																	
Approved	23.06.16	Acot															
						323-107-000V052											

