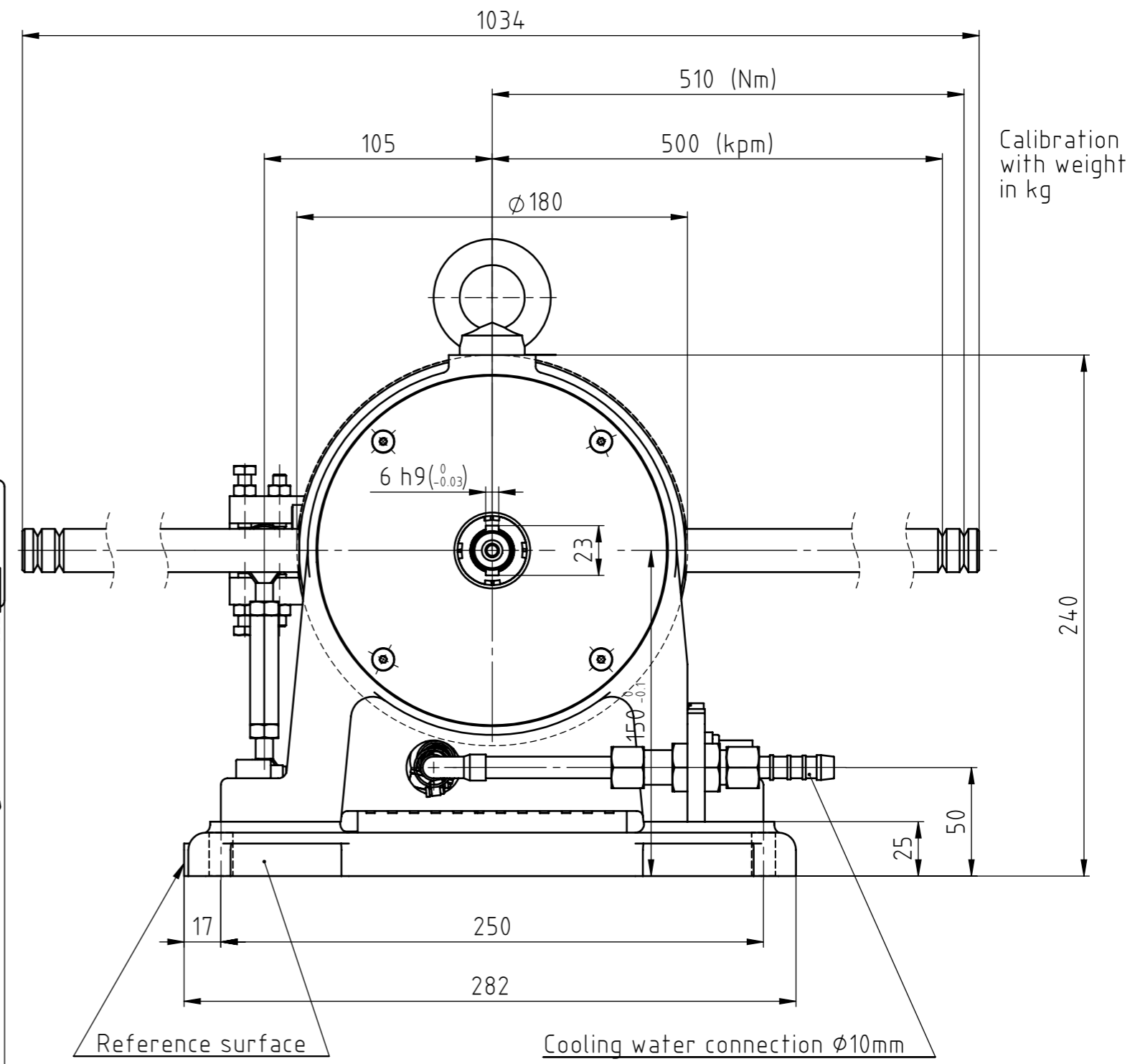
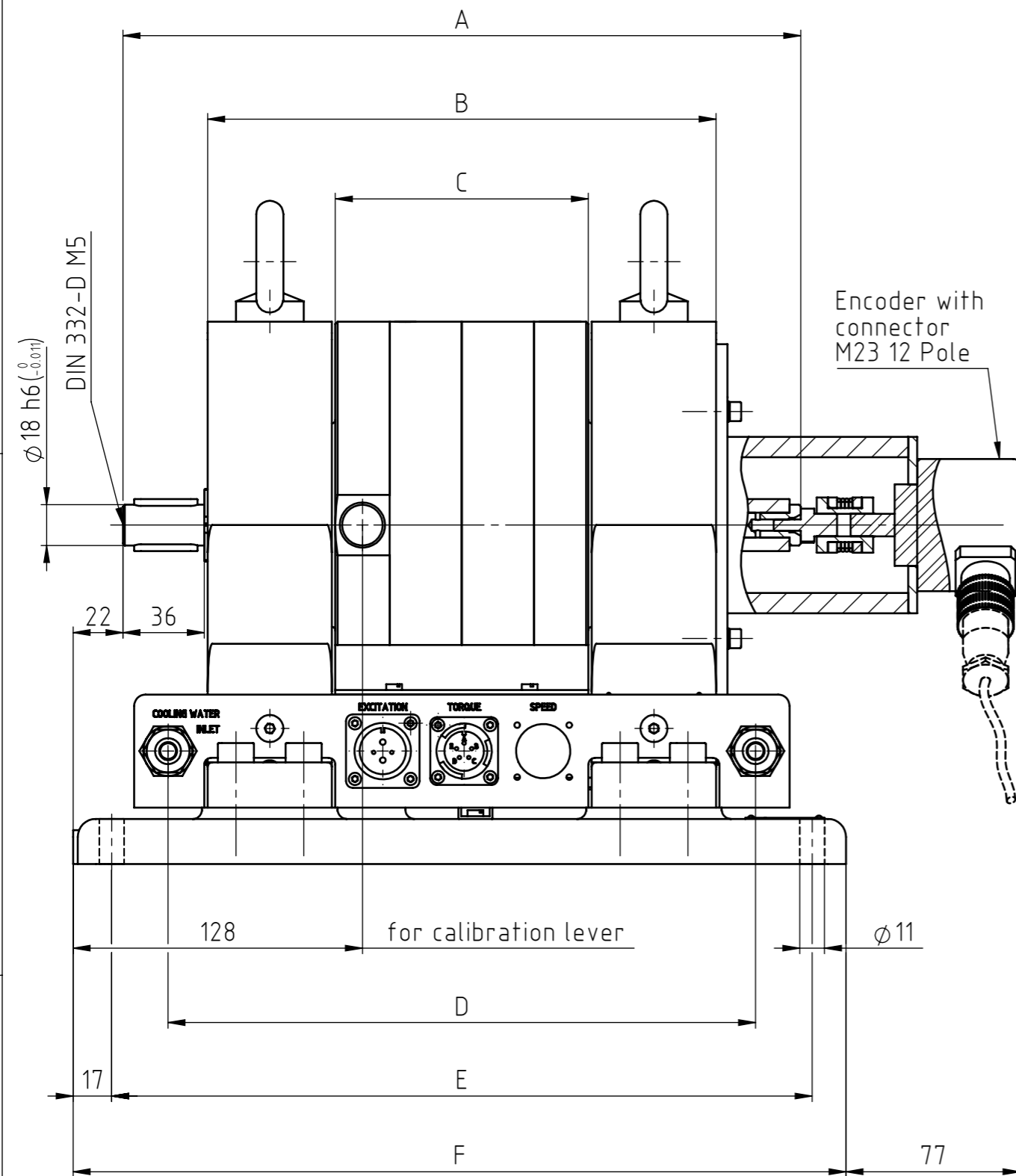


THE INFORMATION DISCLOSED HEREIN WAS ORIGINATED BY AND IS THE PROPERTY OF MAGTROL SA. MAGTROL SA RESERVES ALL PATENT PROPRIETARY, DESIGN, USE, SALE, MANUFACTURING AND REPRODUCTION RIGHTS THERETO.



Type	A	B	C	D	E	F
1PB65-DG	300	225	112	260	310	342
2PB65-DG	370	295	182	330	380	412

6								
5								
4								
3								
2								
1								
Rev.	Date	PM	Drawn	Appr.	Repl. by :			
					Repl. for:			
Tolerances: ± mm to 50mm, ± mm over 50mm								
Material:						Scale 1:2.5		
Finish:						DRAWING N°		
Pulverbremse 1-2PB65 DG						322-107-000V052		

Calibration with weight in kg

Reference surface

Cooling water connection Ø10mm