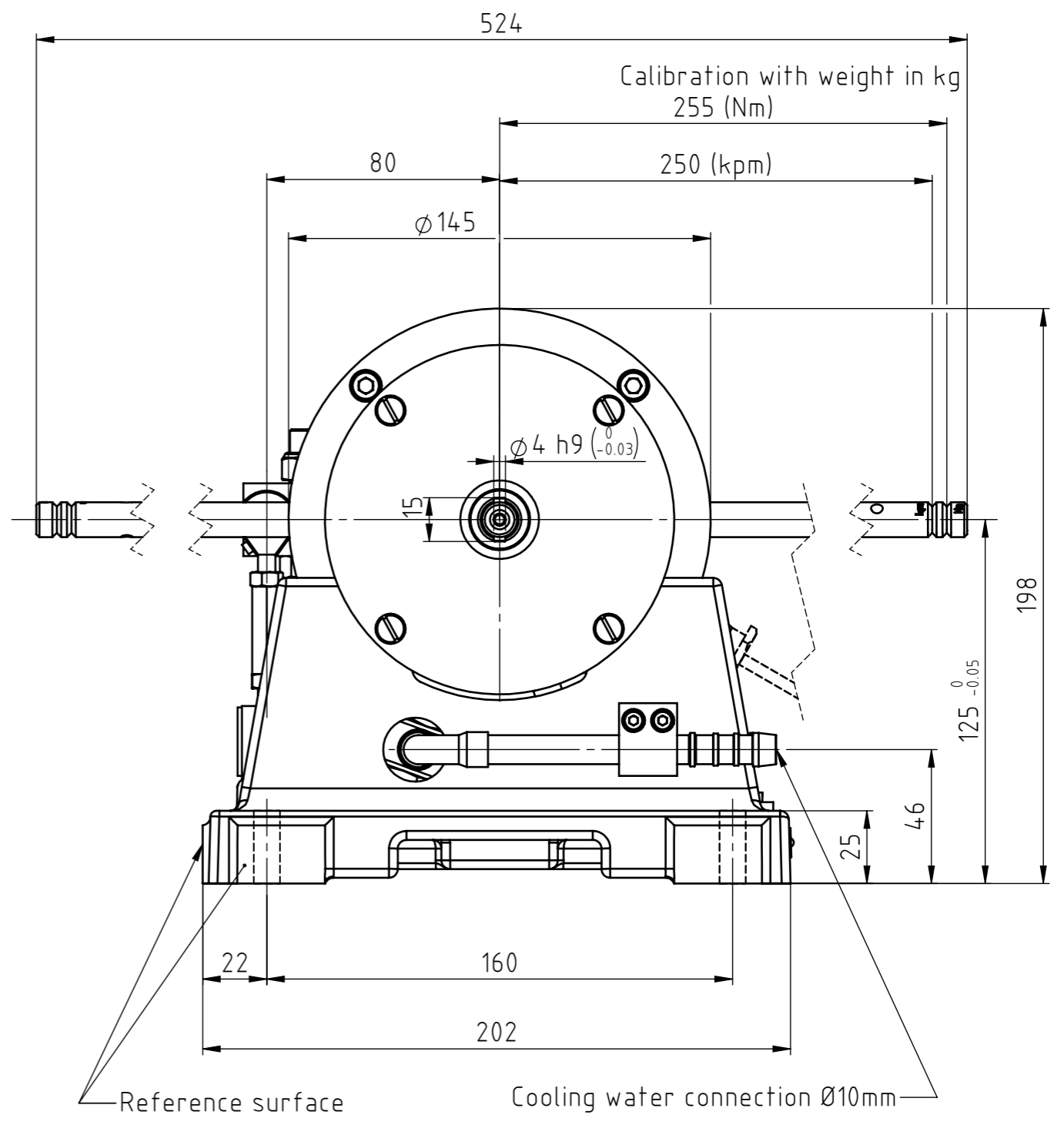
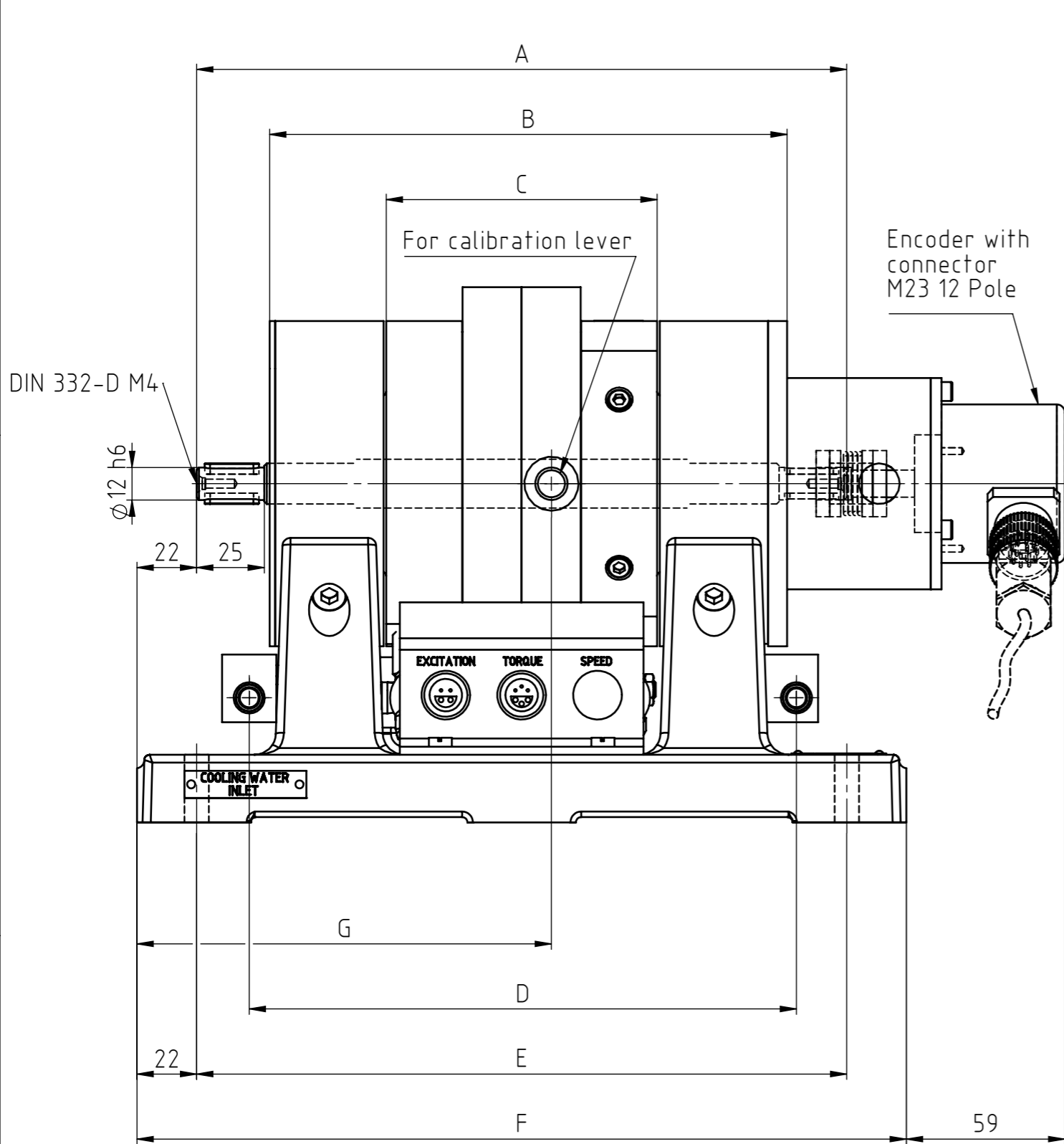


THE INFORMATION DISCLOSED HEREIN WAS ORIGINATED BY AND IS THE PROPERTY OF MAGTROL SA. MAGTROL SA RESERVES ALL PATENT PROPRIETARY, DESIGN, USE, SALE, MANUFACTURING AND REPRODUCTION RIGHTS THERETO.



Type	A	B	C	D	E	F	G
1PB43	240	191	100	202	240	284	153
2PB43	290	241	150	252	290	334	167

6																		
5																		
4																		
3																		
2																		
1																		
Rev.	Date	PM	Drawn	Appr.	Repl. by :													
					Repl. for:													
Tolerances: ± mm to 50mm, ± mm over 50mm																		
Material:						Scale 1:2		<table border="1"> <tr> <td>Drawn</td> <td>23.06.16</td> <td>Ajoy</td> </tr> <tr> <td>Checked</td> <td></td> <td></td> </tr> <tr> <td>Approved</td> <td>23.06.16</td> <td>Acot</td> </tr> </table>		Drawn	23.06.16	Ajoy	Checked			Approved	23.06.16	Acot
Drawn	23.06.16	Ajoy																
Checked																		
Approved	23.06.16	Acot																
Finish:						DRAWING N°												
Dynamometers						321-107-000V062												
1-2PB43 DG																		

A B C D