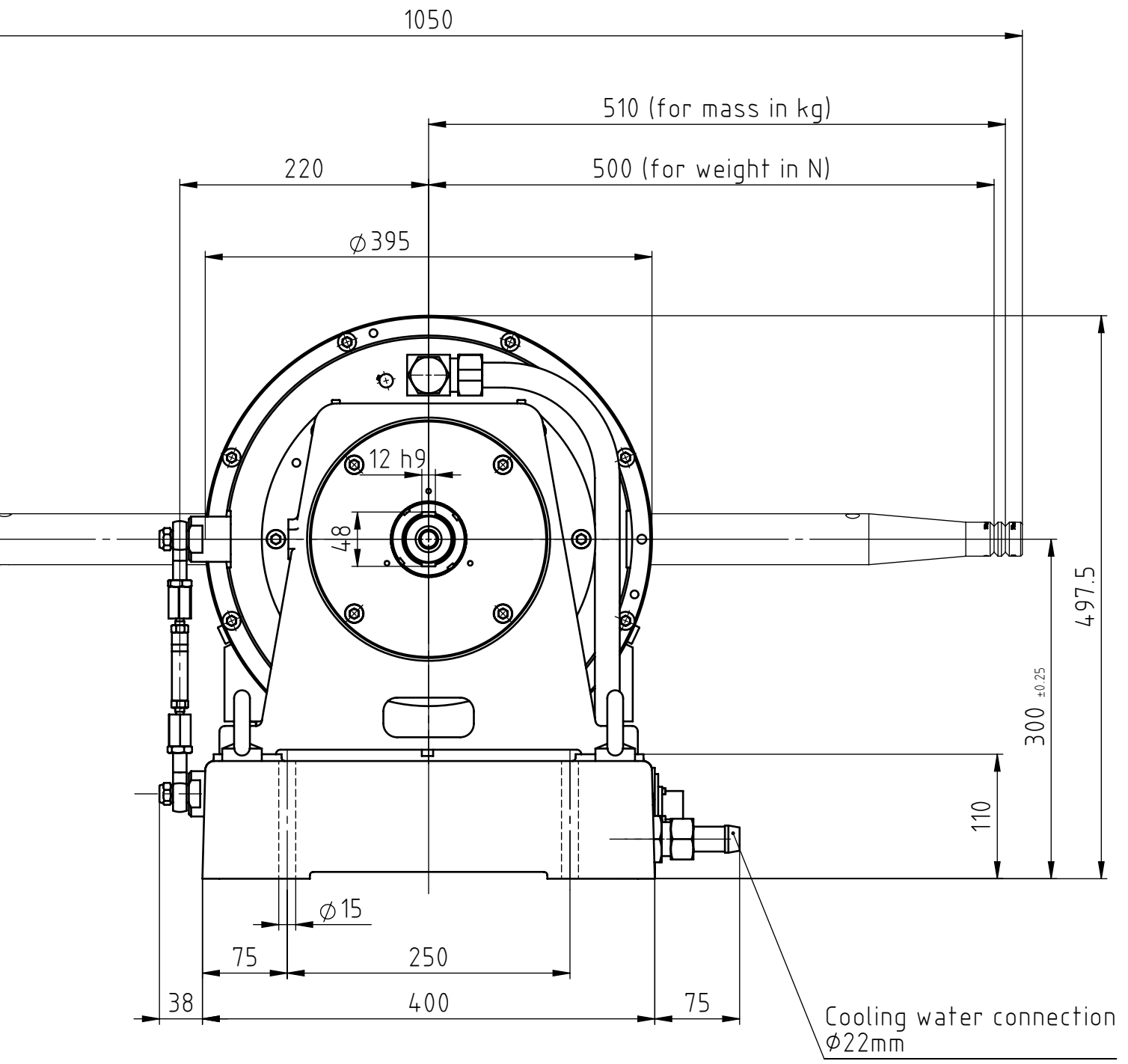
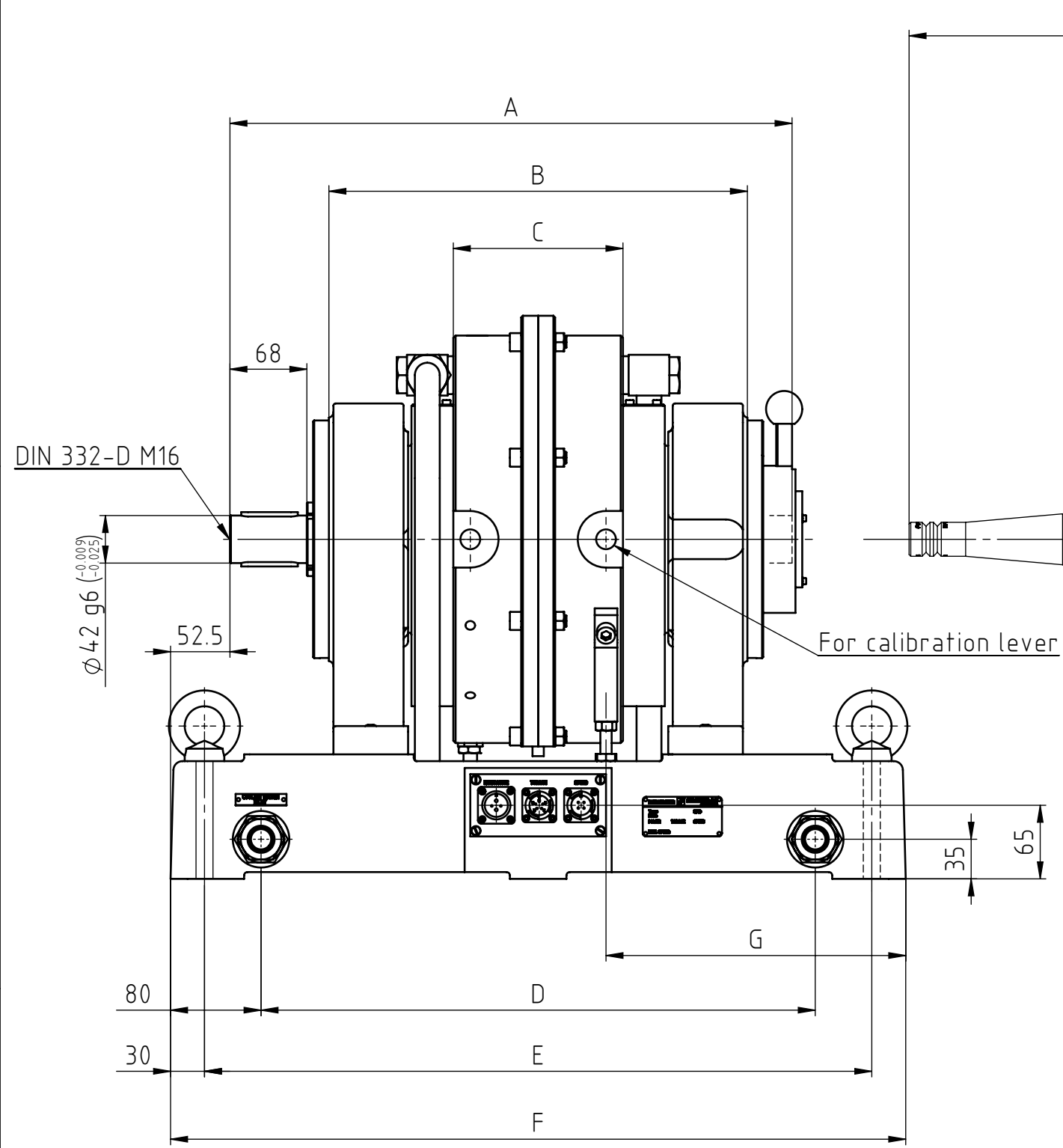


THE INFORMATION DISCLOSED HEREIN WAS ORIGINATED BY AND IS THE PROPERTY OF MAGTROL SA. MAGTROL SA RESERVES ALL PATENT PROPRIETARY, DESIGN, USE, SALE, MANUFACTURING AND REPRODUCTION RIGHTS THERETO.



Type	A	B	C	D	E	F	G
1WB15-MB	497	370	150	490	590	650	265
2WB15-MB	647	520	300	490	590	650	190

6							
5							
4							
3	11.09.19	18014	cpit	blot	Text modification (Nm) by (for mass in kg) and (kpm) by (for weight in N), and remove the text 'Calibration with weight in kg'		
2	09.01.08	08001	J.Sottaz	Blot	Updated for 2WB!		
1	09.09.05	05086	J.Sottaz	N.Buri	Updated with the new load cell ZP-S!		
Rev.	Date	PM	Drawn	Appr.	Repl. by : .		
					Repl. for: .		

Tolerances: ± . . mm to 50mm, ± . . mm over 50mm

Material:

Finish:

Dynamometers WB15-MB
with mechanical rotor blocking device

Scale
1:5

DRAWING N°
314-105-000V051

	<table border="1" style="font-size: 8px;"> <tr> <td>Drawn</td> <td>10.02.05</td> <td>J.Sottaz</td> </tr> <tr> <td>Checked</td> <td></td> <td></td> </tr> <tr> <td>Approved</td> <td>11.02.05</td> <td>N.Buri</td> </tr> </table>	Drawn	10.02.05	J.Sottaz	Checked			Approved	11.02.05	N.Buri
Drawn	10.02.05	J.Sottaz								
Checked										
Approved	11.02.05	N.Buri								