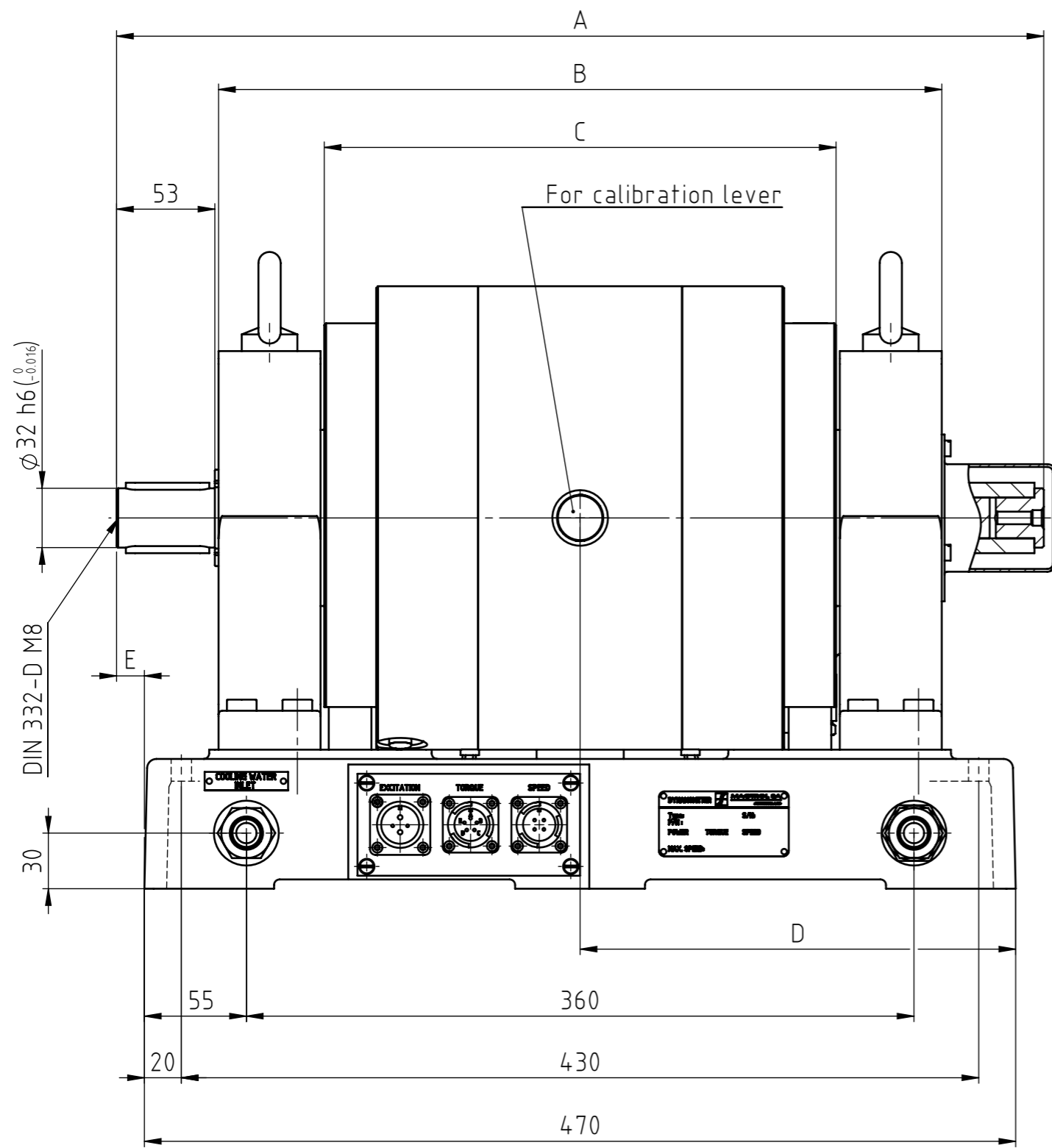


THE INFORMATION DISCLOSED HEREIN WAS ORIGINATED BY AND IS THE PROPERTY OF MAGTROL SA. MAGTROL SA RESERVES ALL PATENT PROPRIETARY, DESIGN, USE, SALE, MANUFACTURING AND REPRODUCTION RIGHTS THERETO.



$\varnothing 32 \text{ h6} (-0.016)$

DIN 332-D M8

30

55

20

53

For calibration lever

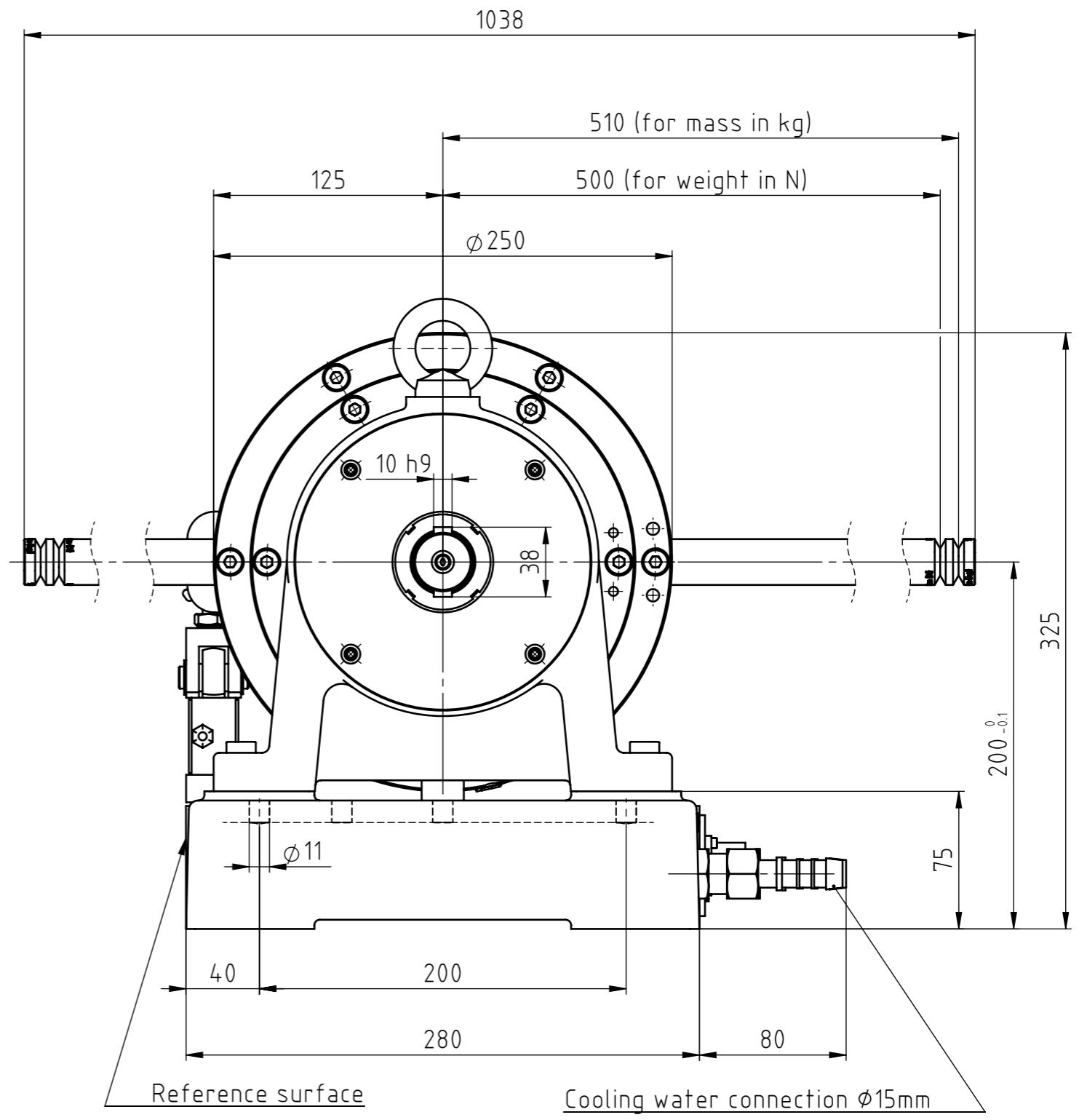
55

20

55

20

Type	A	B	C	D	E
1WB115 1PB115	390	280	166	197	-40
2WB115 2PB115	500	390	276	235	15



6					
5					
4					
3					
2					
1	02.09.19	18014	ajoy	blot	Text modification (Nm) by (for mass in kg) and (kpm) by (for weight in N); and remove the text "Calibratio with weight in kg"

Rev.	Date	PM	Drawn	Appr.	Repl. by :
					Repl. for :

Tolerances: \pm mm to 50mm, \pm mm over 50mm

Material:
 Finish:

Scale 1:3	Drawn	26.07.05	J.Soffaz
	Checked		
	Approved	27.07.05	N.Buri

Wirbelstrombremse
1-2WB115 1-2PB115

DRAWING N°
313-101-000V051

A

B

C

D