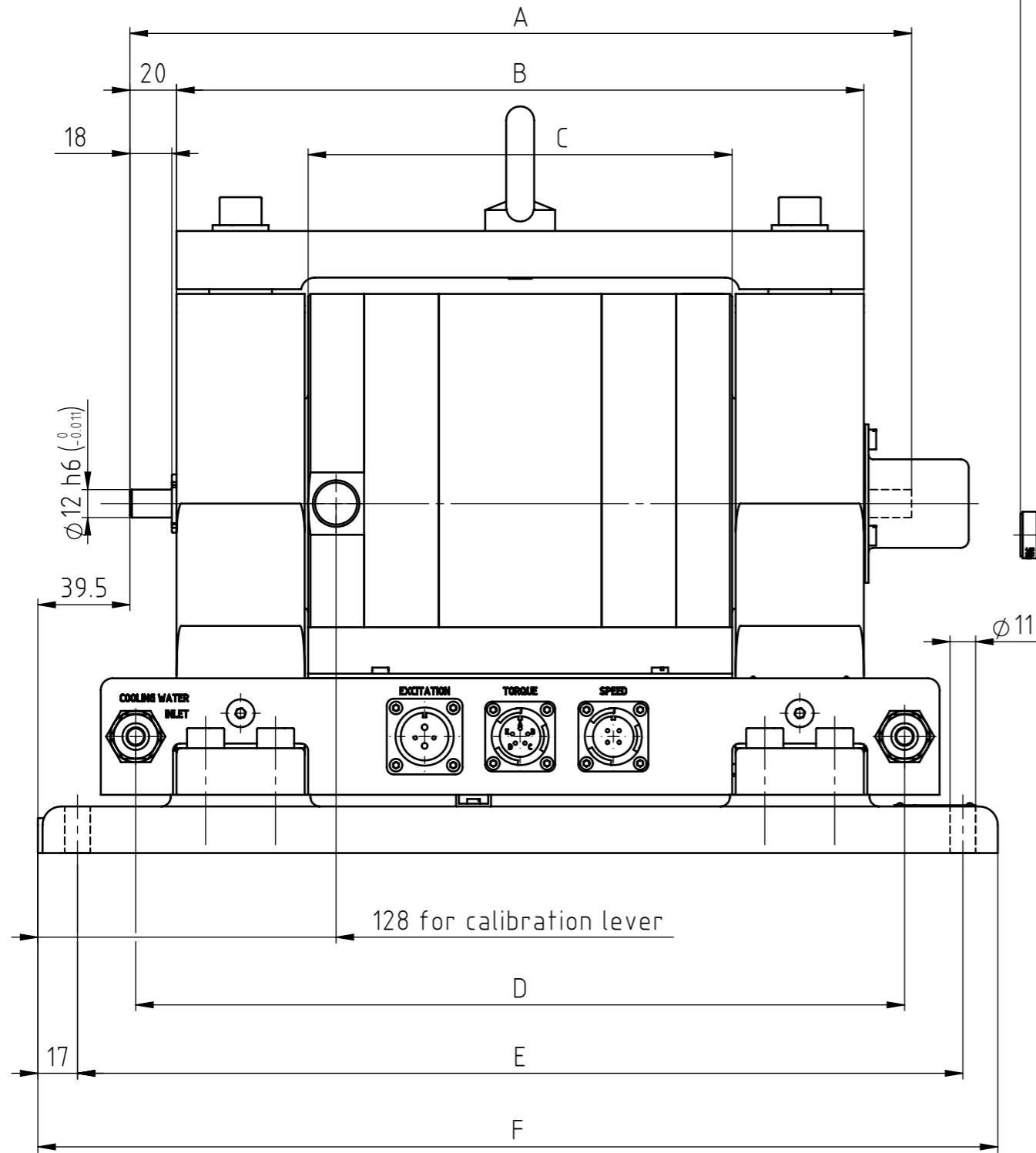
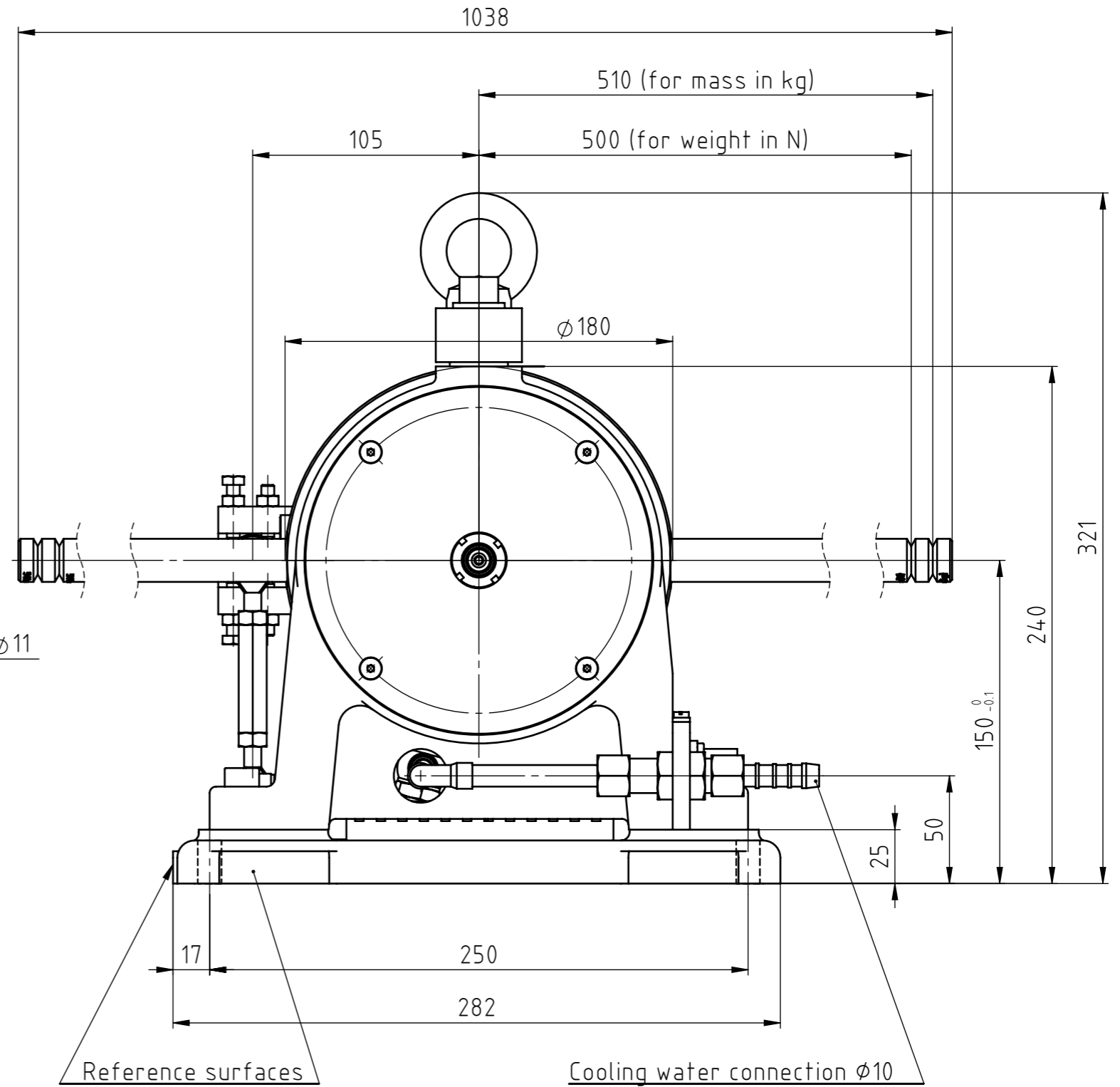


THE INFORMATION DISCLOSED HEREIN WAS ORIGINATED BY AND IS THE PROPERTY OF MAGTROL SA. MAGTROL SA RESERVES ALL PATENT PROPRIETARY, DESIGN, USE, SALE, MANUFACTURING AND REPRODUCTION RIGHTS THERETO.



Type	A	B	C	D	E	F
1WB65-HS	265.5	225	112	260	310	342
2WB65-HS	335.5	295	182	330	380	412



6						
5						
4						
3						
2	04.10.19	19069	ajoy	blot	Add lifting support	
1	11.09.19	18014	cpit	blot	Text modification (Nm) by (for mass in kg) and (kpm) by (for weight in N); and remove the text 'Calibration with weight in kg'	
Rev.	Date	PM	Drawn	Appr.	Repl. by : Repl. for :	

Tolerances: \pm mm to 50mm, \pm mm over 50mm

Material: .

Finish: .

Scale: 1:2.5

DRAWING N°: 312-111-000V061

Dynamometers
1-2WB65-HS

MAGTROL

Drawn	19.12.2017	ajoy
Checked		
Approved	19.12.2017	blot