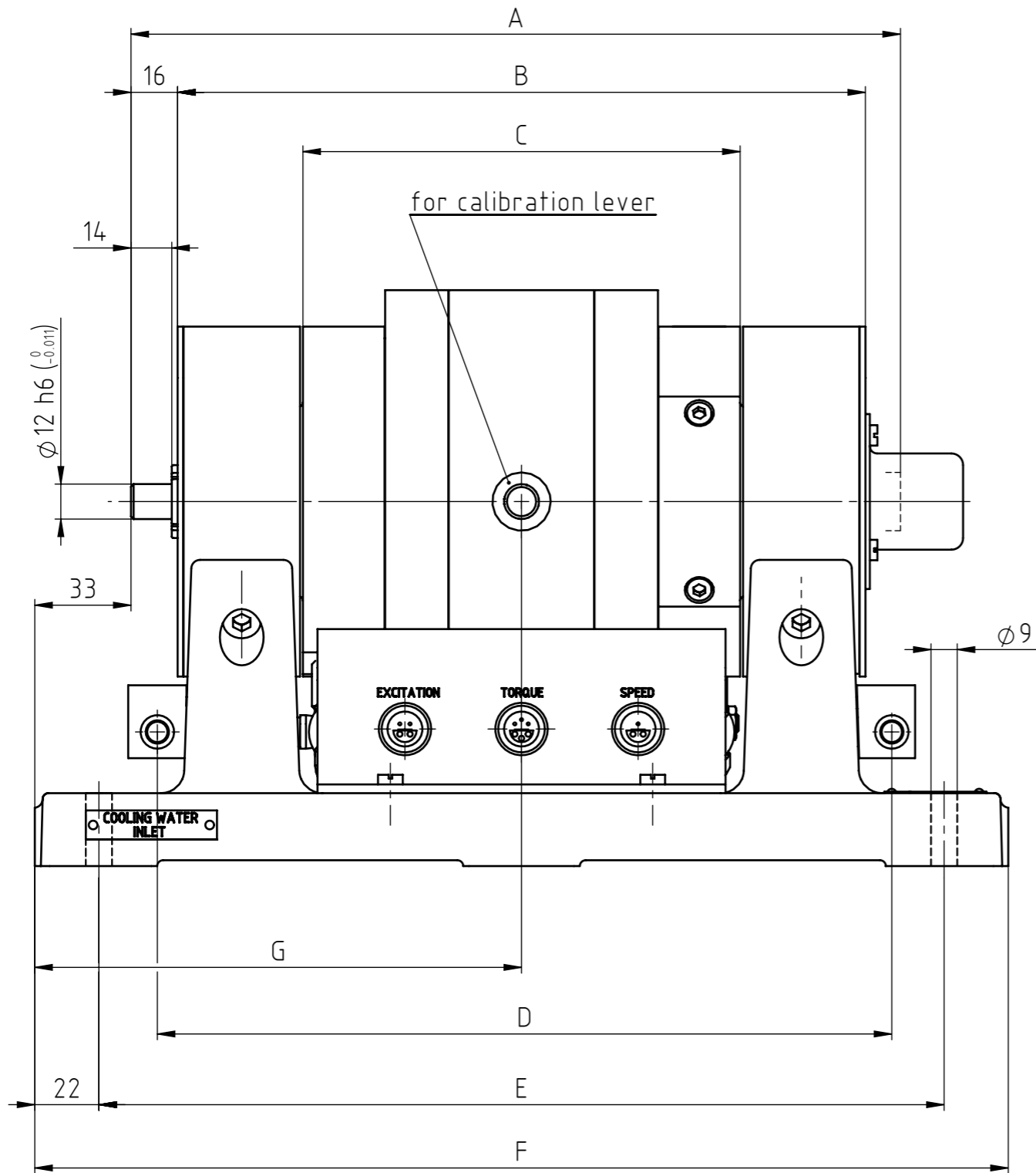
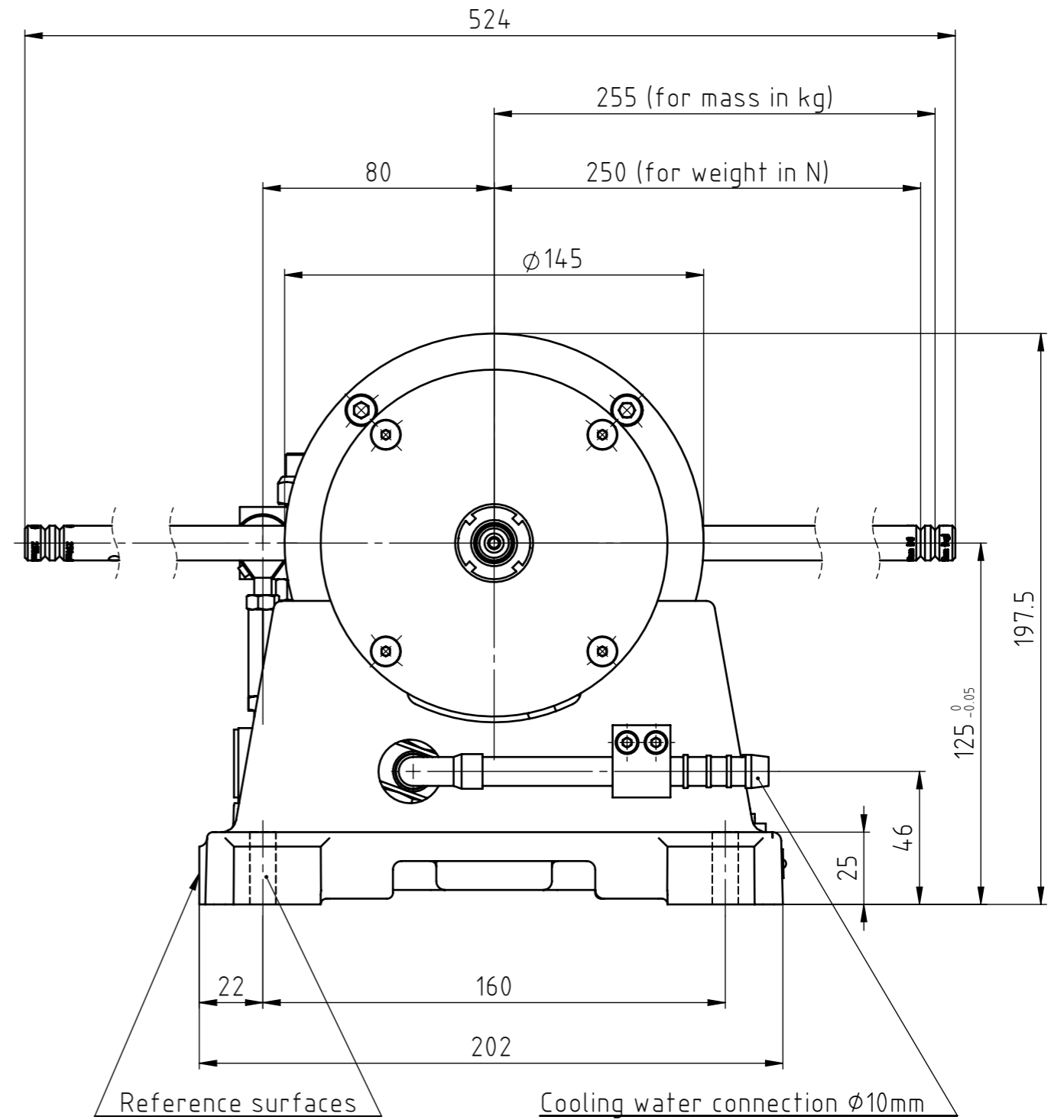


THE INFORMATION DISCLOSED HEREIN WAS ORIGINATED BY AND IS THE PROPERTY OF MAGTROL SA. MAGTROL SA RESERVES ALL PATENT PROPRIETARY, DESIGN, USE, SALE, MANUFACTURING AND REPRODUCTION RIGHTS THERETO.



Type	A	B	C	D	E	F	G
1WB43-HS	218	186	100	202	240	284	153
2WB43-HS	268	236	150	252	290	334	167



6						
5						
4						
3						
2						
1	02.09.19	18014	ajoy	blot	Text modification (Nm) by (for mass in kg) and (kpm) by (for weight in N); and remove the text 'Calibration with weight in kg'	
Rev.	Date	PM	Drawn	Appr.	Repl. by : Repl. for :	

Tolerances: ± . . mm to 50mm, ± . . mm over 50mm			Scale 1:2	
Material:			Drawn	31.10.2017
Finish:		Checked		
		Approved	31.10.2017	blot
Dynamometers		DRAWING N°		
1-2WB43-HS		311-211-000V062		