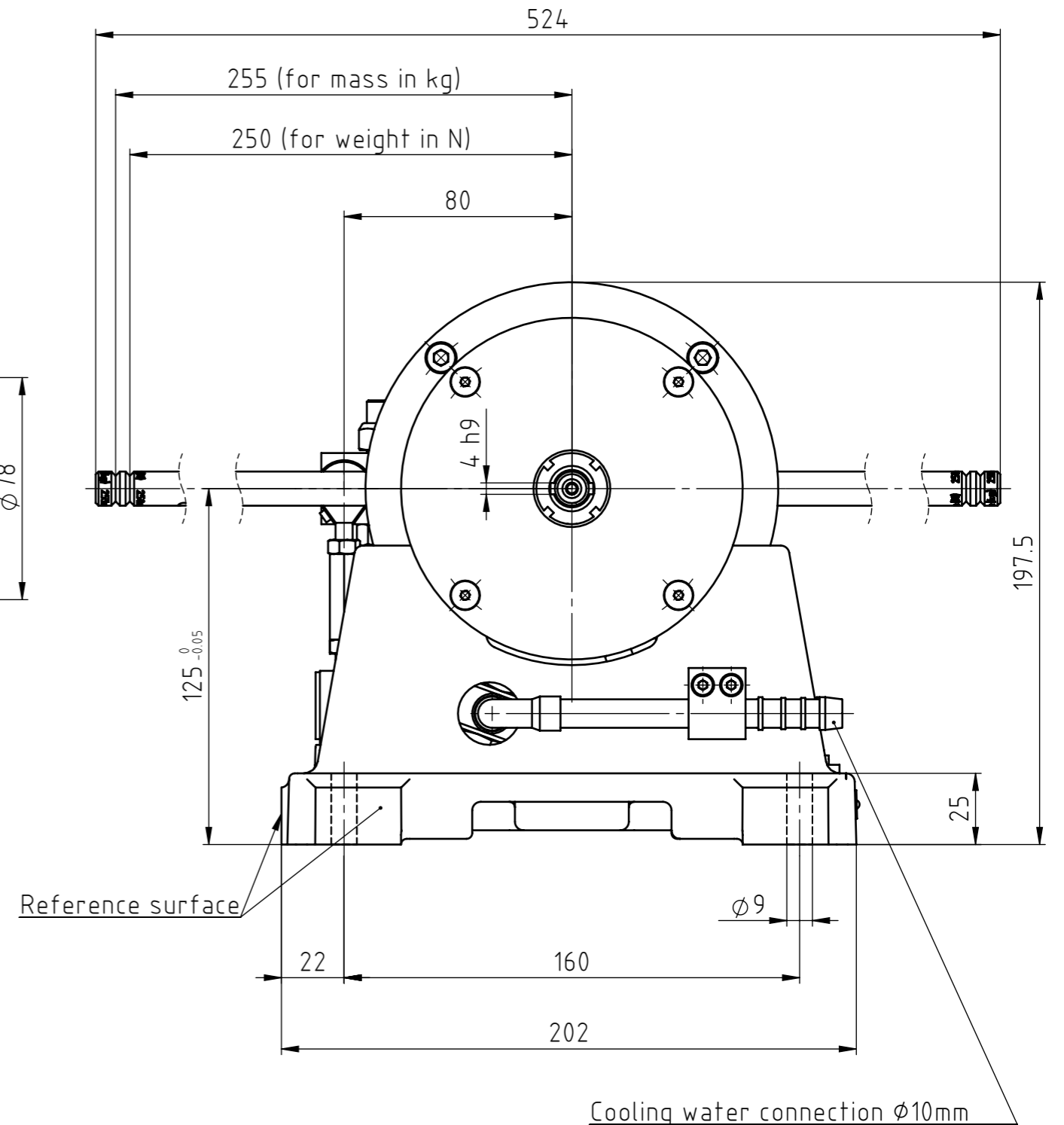
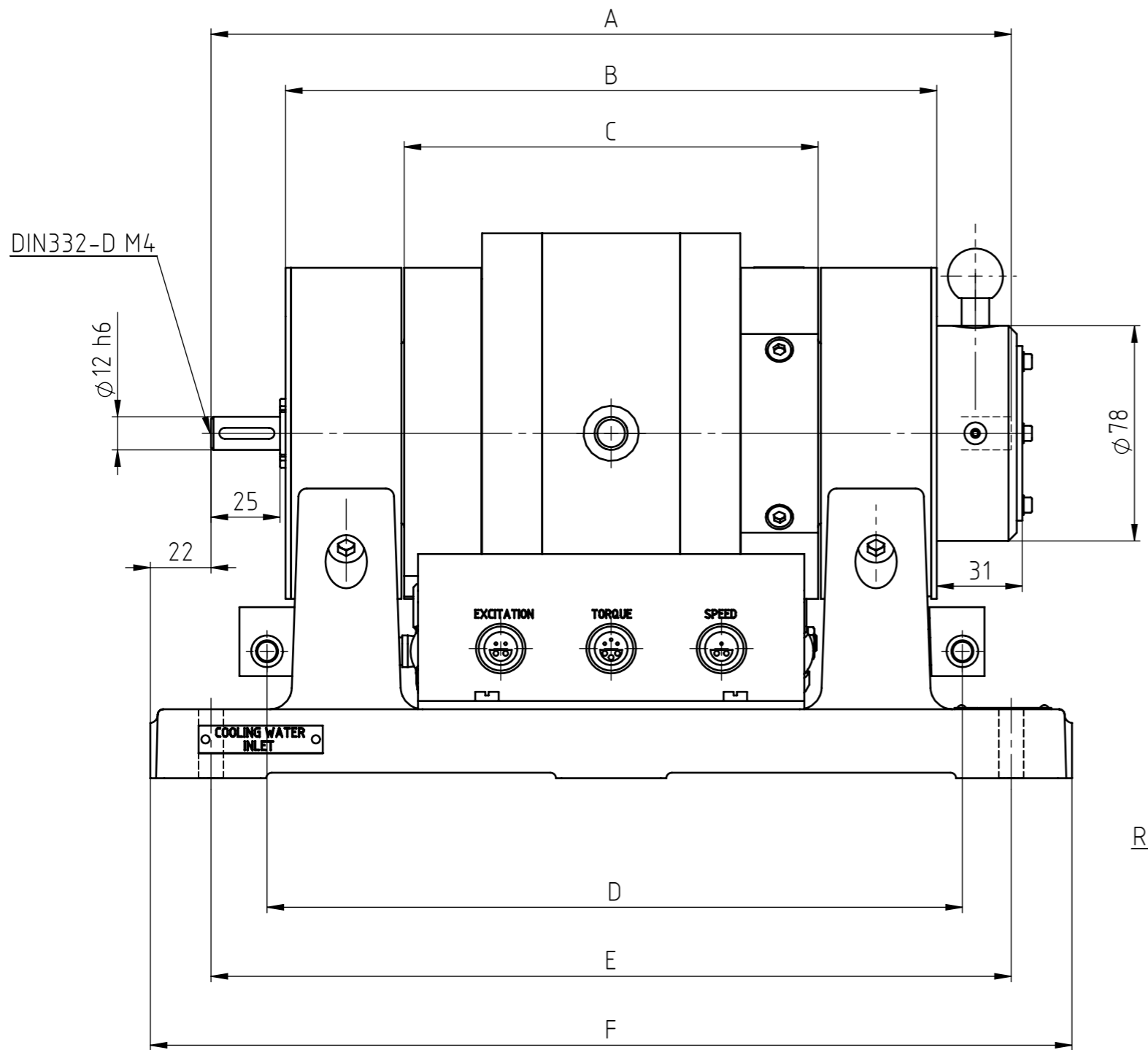


THE INFORMATION DISCLOSED HEREIN WAS ORIGINATED BY AND IS THE PROPERTY OF MAGTROL SA. MAGTROL SA RESERVES ALL PATENT PROPRIETARY, DESIGN, USE, SALE, MANUFACTURING AND REPRODUCTION RIGHTS THERETO.



Type	A	B	C	D	E	F
1WB43-MB	240	186	100	202	240	284
2WB43-MB	290	236	150	252	290	334

6															
5															
4															
3															
2															
1	02.09.19	18014	ajoy	blot	Text modification (Nm) by (for mass in kg) and (kpm) by (for weight in N); and remove the text 'Calibration with weight in kg'										
Rev.	Date	PM	Drawn	Appr.	Repl. by:										
					Repl. for:										
Tolerances: \pm . . . mm to 50mm, \pm . . . mm over 50mm															
Material:							Scale: 1:2								
Finish:						<table border="1"> <tr> <td>Drawn</td> <td>21.09.06</td> <td>J.Soffaz</td> </tr> <tr> <td>Checked</td> <td></td> <td></td> </tr> <tr> <td>Approved</td> <td>21.09.06</td> <td>N.Buri</td> </tr> </table>	Drawn	21.09.06	J.Soffaz	Checked			Approved	21.09.06	N.Buri
Drawn	21.09.06	J.Soffaz													
Checked															
Approved	21.09.06	N.Buri													
Dynamometers 1+2WB43-MB with mechanical blocking device						DRAWING N°									
						311-105-000V051									