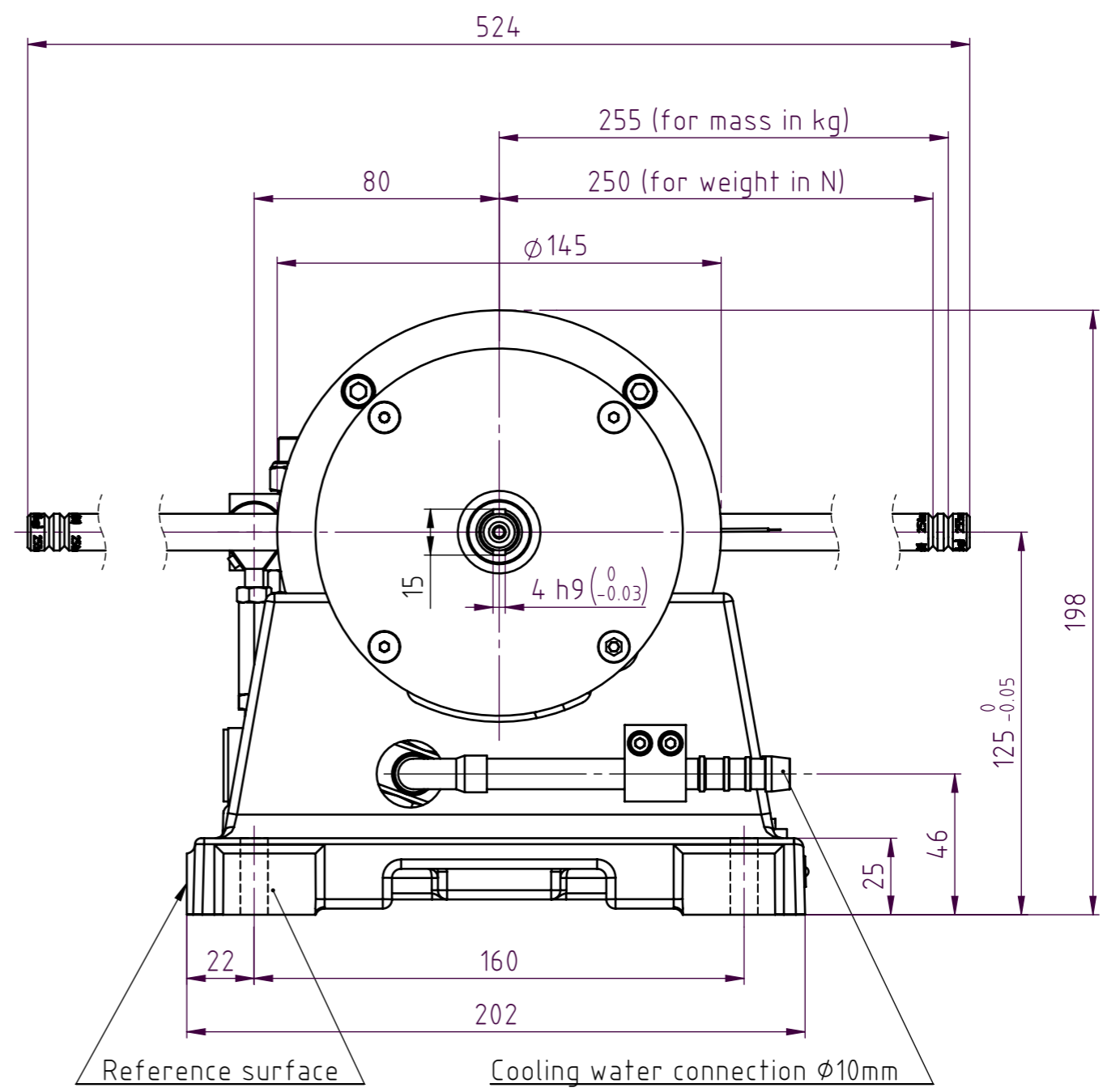
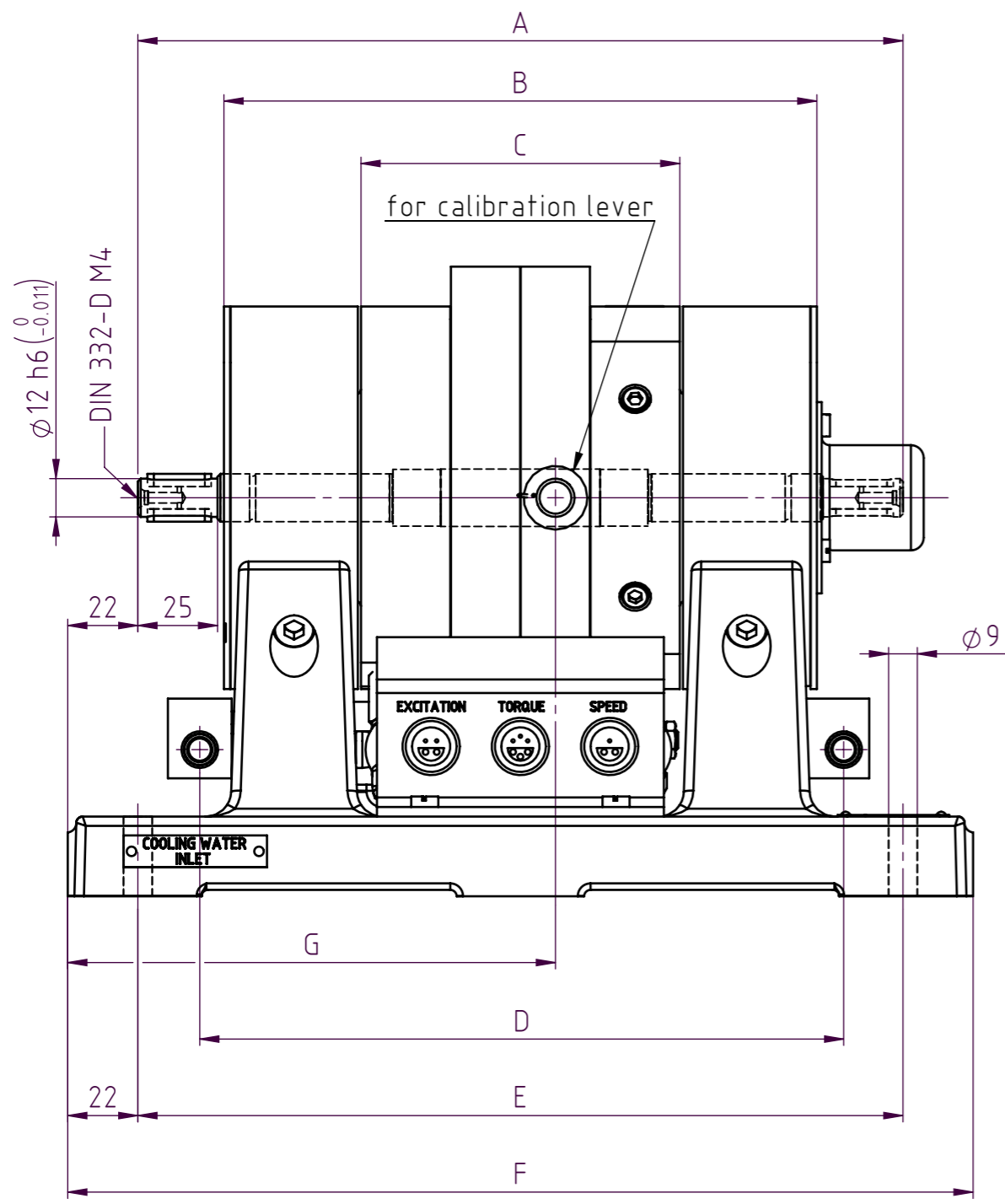
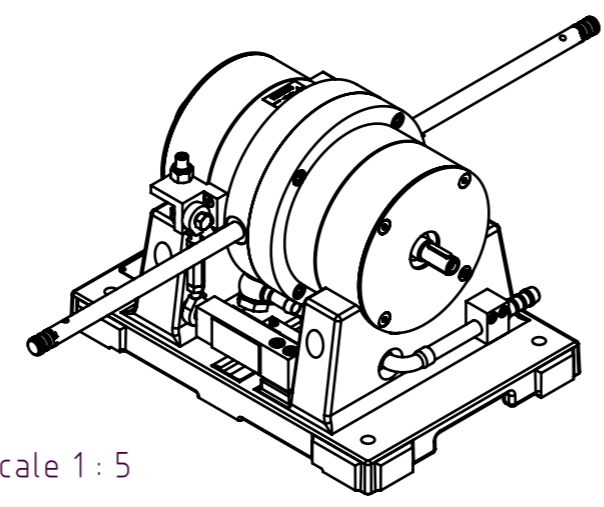


THE INFORMATION DISCLOSED HEREIN WAS ORIGINATED BY AND IS THE PROPERTY OF MAGTROL SA. MAGTROL SA RESERVES ALL PATENT PROPRIETARY, DESIGN, USE, SALE, MANUFACTURING AND REPRODUCTION RIGHTS THERETO.



Type	A	B	C	D	E	F	G
1WB43 / 1PB43	240	186	100	202	240	284	153
2WB43 / 2PB43	290	236	150	252	290	334	167



Scale 1:5

6									
5									
4									
3									
2									
1	02.09.19	18014	ajoy	blot	Text modification (Nm) by (for mass in kg) and (kpm) by (for weight in N); and remove the text "Calibratio with weight in kg"				
Rev.	Date	PM	Drawn	Appr.	Repl. by :				
					Repl. for :				
Tolerances: $\pm$ . . . mm to 50mm, $\pm$ . . . mm over 50mm									
Material: . . .					Scale 1:2				
Finish: . . .							Drawn	16.11.2001	arap
							Checked		
							Approved	16.11.2001	nbur
Dynamometers							DRAWING N°		
1-2WB43 1-2PB43							311-101-000V101		