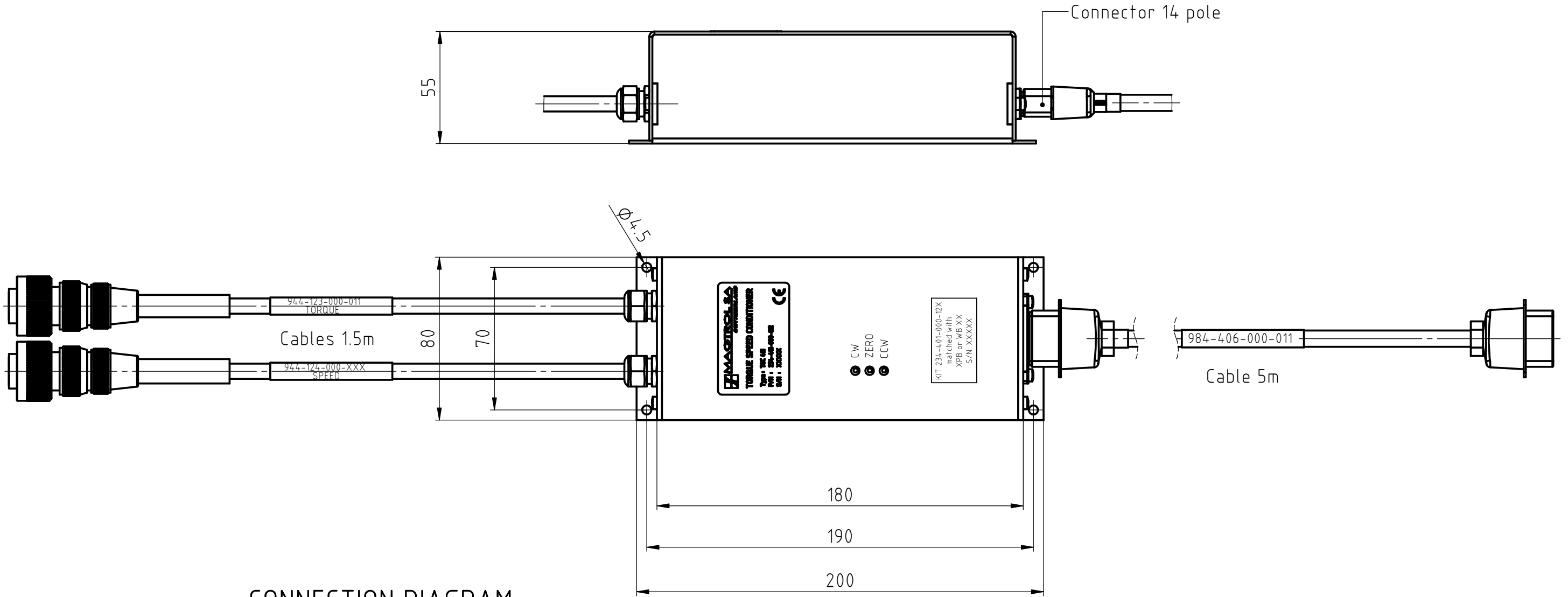
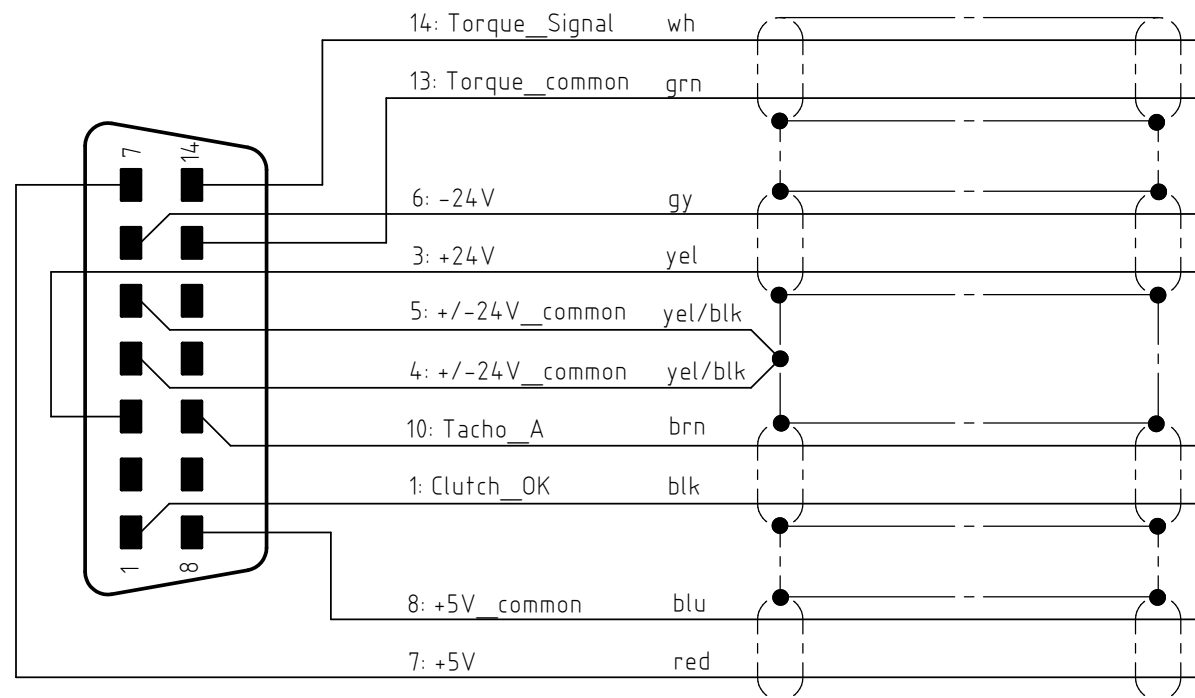


THE INFORMATION DISCLOSED HEREIN WAS ORIGINATED BY AND IS THE PROPERTY OF MAGTROL SA. MAGTROL SA RESERVES ALL PATENT PROPRIETARY, DESIGN, USE, SALE, MANUFACTURING AND REPRODUCTION RIGHTS THERETO.



CONNECTION DIAGRAM



Connector
Cable plug 14 Pol P
(front view)

6														
5														
4														
3														
2														
1	08.10.02	02062	C.S.	NB.	Cross recessed pan head screws were Slotted chesse head screws!									
Rev.	Date	PM	Drawn	Appr.	Repl. by :									
					Repl. for:									
Tolerances: ± mm to 50mm, ± mm over 50mm														
Material:				Scale 1:2										
Finish:				<table border="1"> <tr> <td>Drawn</td> <td>06.12.01</td> <td>C.S.</td> </tr> <tr> <td>Checked</td> <td></td> <td></td> </tr> <tr> <td>Approved</td> <td>11.03.02</td> <td>N.Buri</td> </tr> </table>		Drawn	06.12.01	C.S.	Checked			Approved	11.03.02	N.Buri
Drawn	06.12.01	C.S.												
Checked														
Approved	11.03.02	N.Buri												
<p style="text-align: center;">Torque Speed Conditioner</p> <p style="text-align: center;">Kits TSC 401 to Dyno 65, 115 & 15</p>						<p>DRAWING N°</p> <p style="text-align: center; font-size: 1.2em;">234-401-000V122</p>								