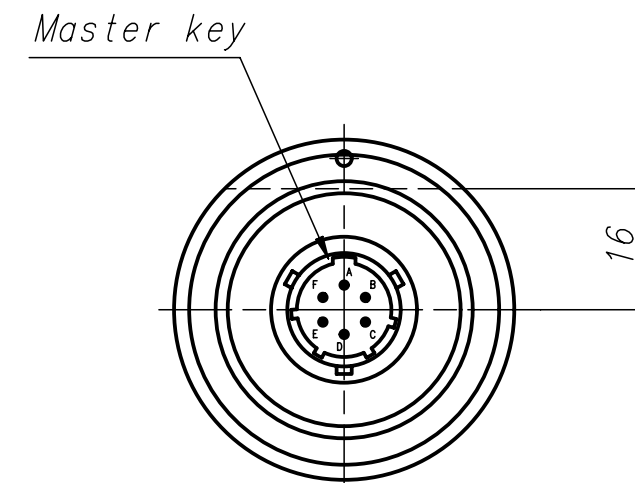
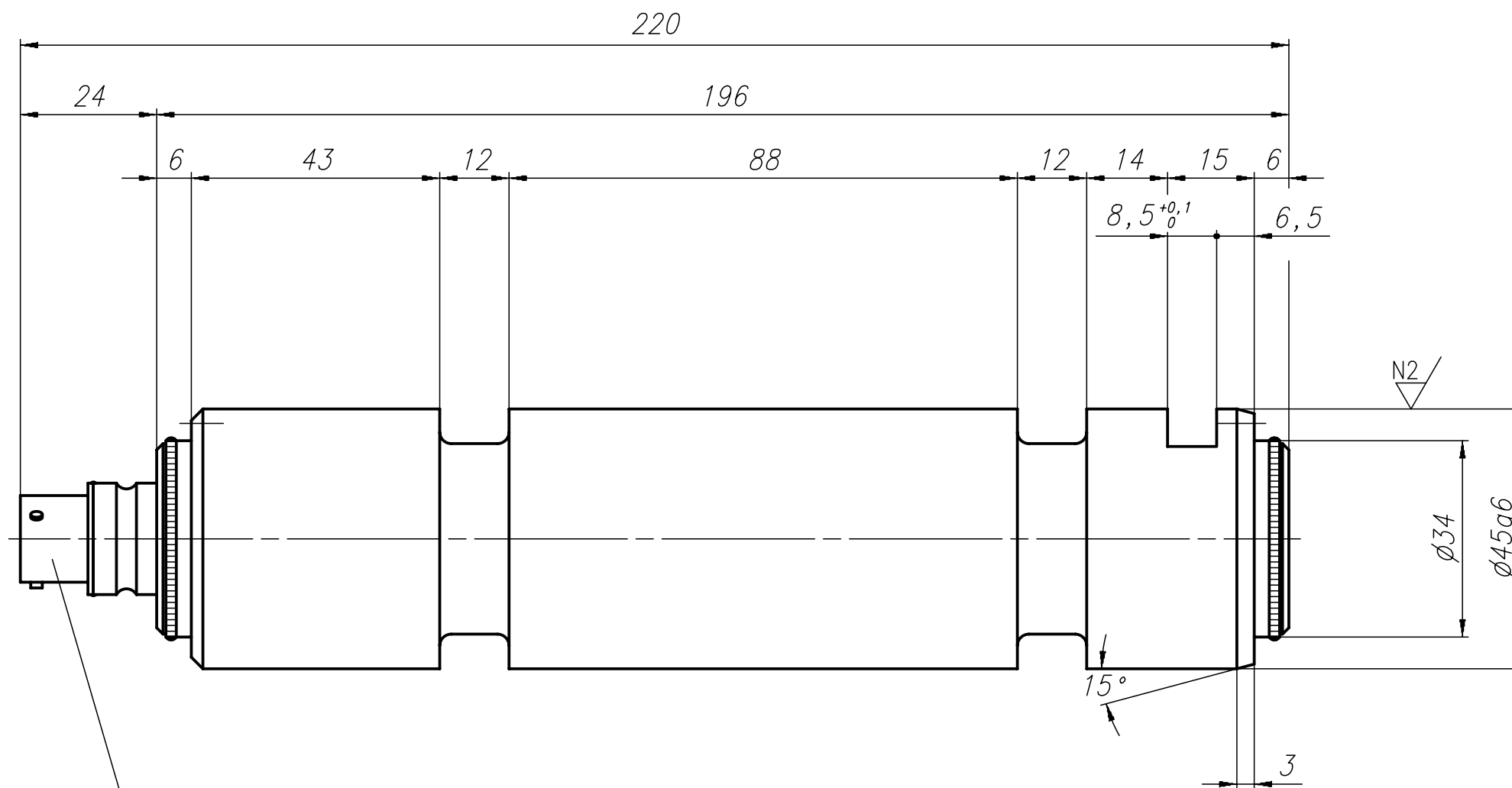
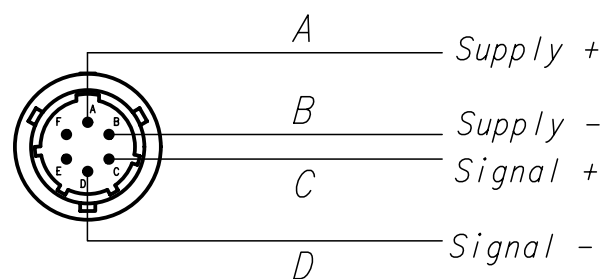


THE INFORMATION DISCLOSED HEREIN WAS ORIGINATED BY AND IS THE PROPERTY OF MAGTROL SA. MAGTROL SA RESERVES ALL PATENT, PROPRIETARY, DESIGN, USE, SALE, MANUFACTURING AND REPRODUCTION RIGHTS THERETO.



Solder mount recep.  
hermetic 6P#10



OIML : D 0,24

6									
5									
4									
3									
2									
1									
Rev.	Date	PM	Drawn	Appr.	Repl. by :				
					Repl. for:				
Tolerances: ±						mm to 50 mm; ± mm over 50 mm			
Material: 1.4542									
Finish :									
<b>LOAD MEASURING PIN 65kN</b>						DRAWING N°			
						<b>122-255-000V121</b>			
P/N: 122-255-000-121			TYPE: LB 255/121						

			Scale	1:1
			Drawn	24.11.94
		Checked	15.12.94	N.Buri
		Approved	16.12.94	R.Dubois