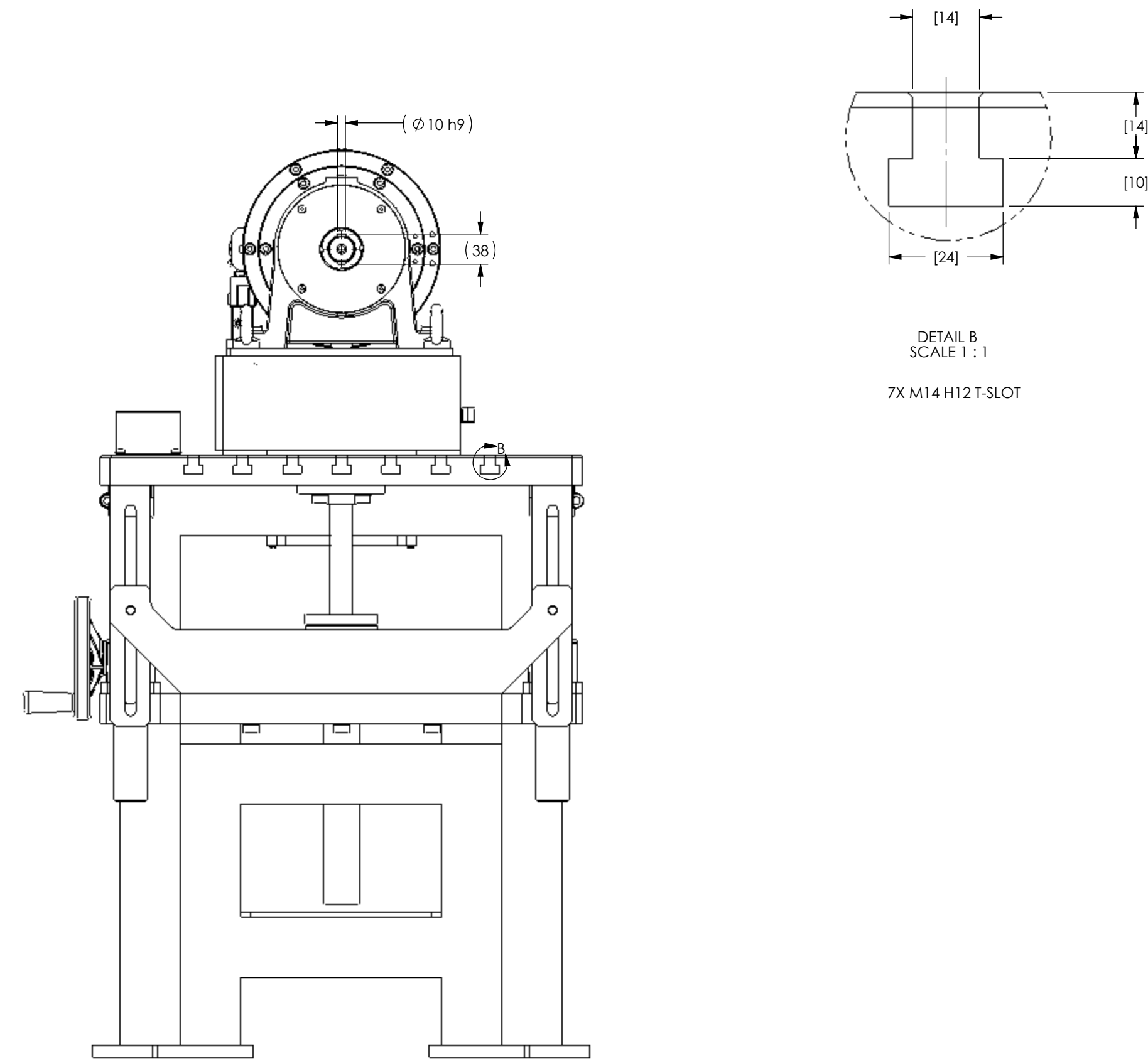
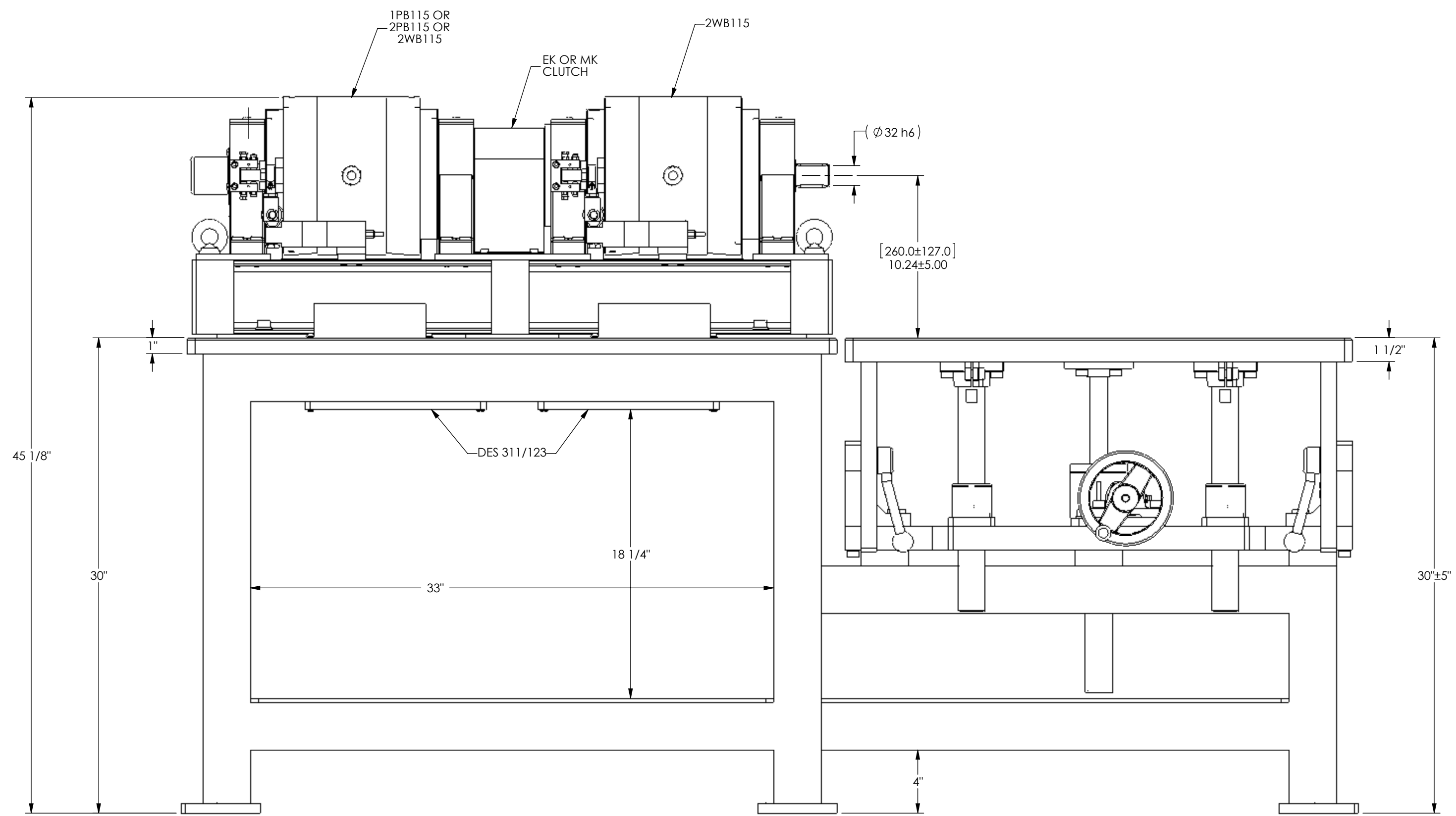
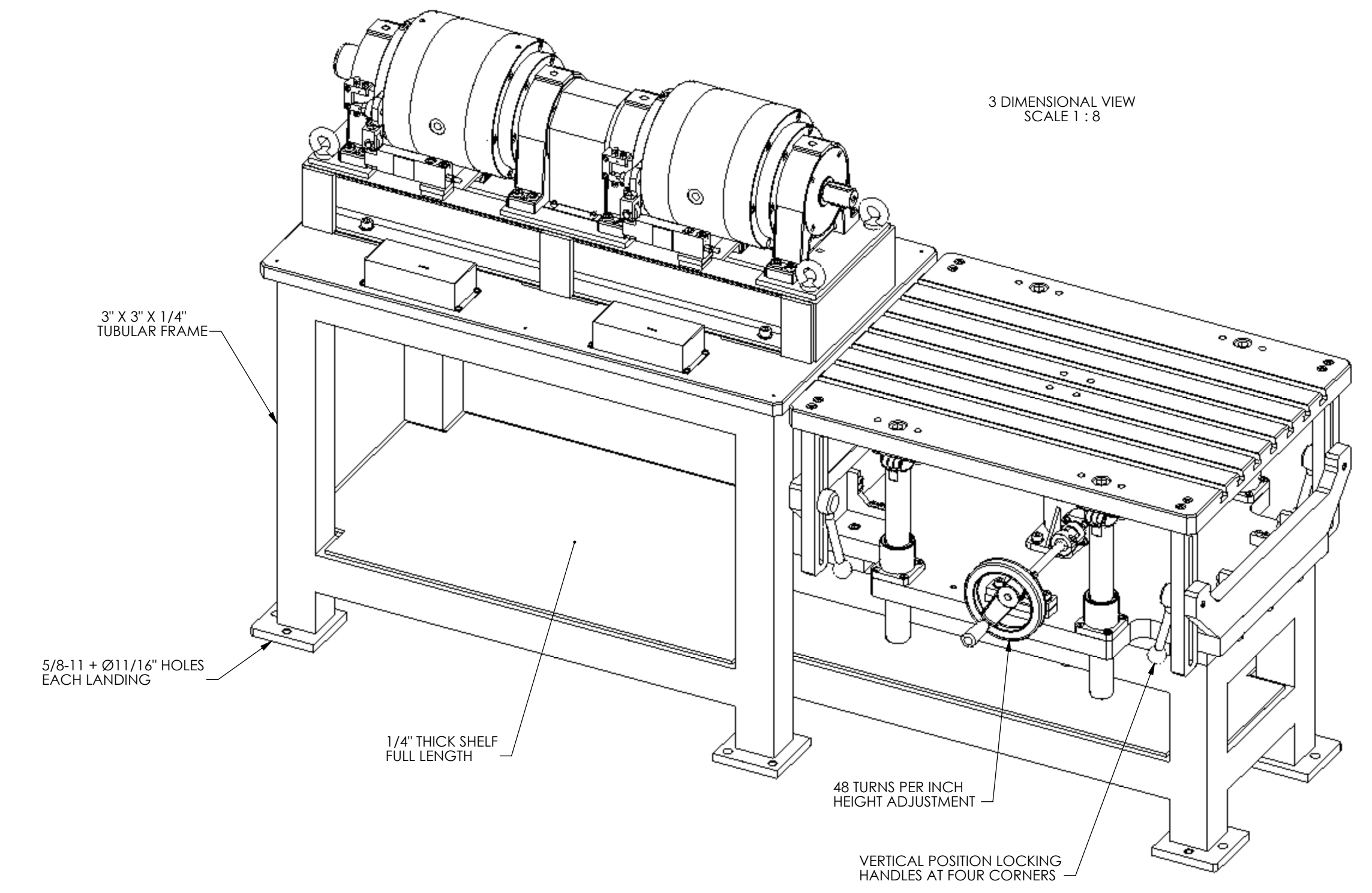
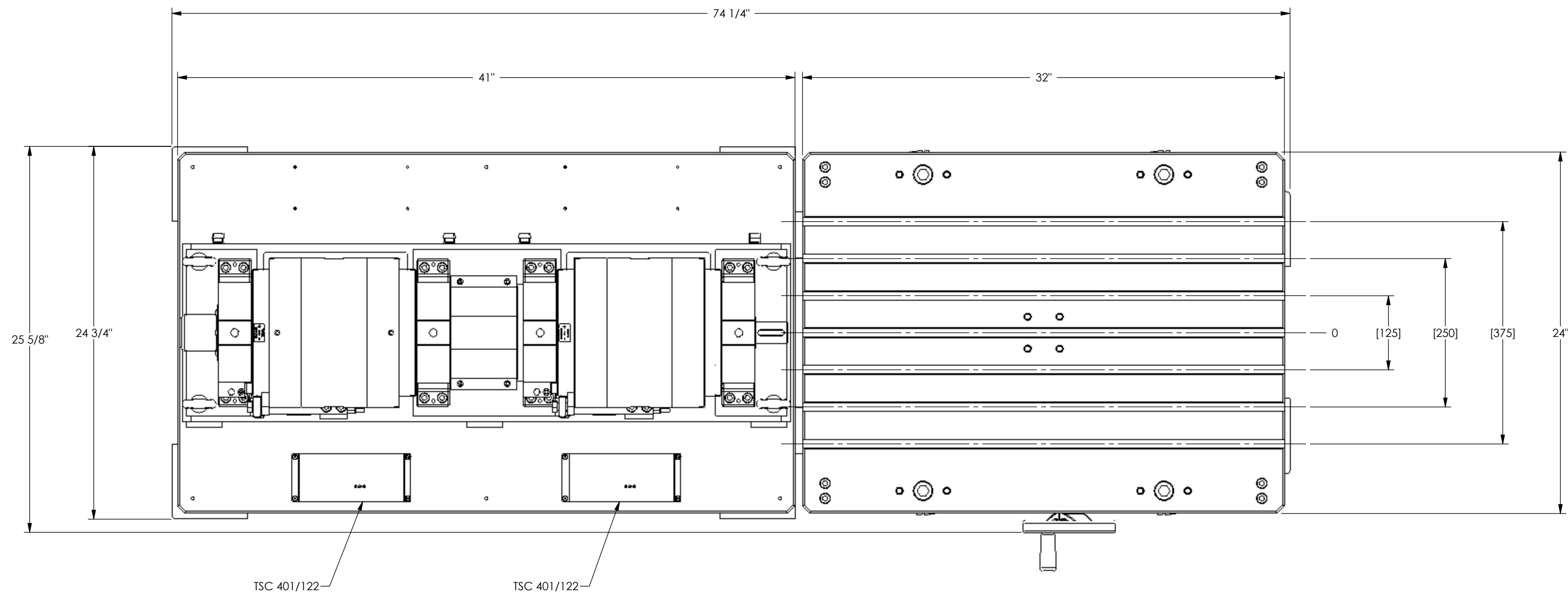


SOLID MODEL AVAILABLE



NOTE:  
DIMENSIONS IN [ ] ARE MILLIMETERS  
2WB115 TANDEM NOT INCLUDED

MATERIAL	DESIGN	DTW	01/26/09	<p><b>MAGTROL INC.</b> 70 GARDENVILLE PKWY, W. BUFFALO, NEW YORK 14224-1322</p>
FINISH	DRAWN	DTW	02/06/12	
	CHECKED			
THIRD ANGLE PROJECTION	UNLESS OTHERWISE SPECIFIED: DIMENSIONS ARE IN INCHES. DIAMETERS CONCENTRIC-.003 TIR. FACES PERPENDICULAR-.003 INTERPRETATION PER ASME Y14.5M-1994 REMOVE ALL BURRS AND BREAK SHARP EDGES .005/.010 X 45°. ALL INSIDE CORNERS TO BE .02 R MAX. TOLERANCES: .XX ±.01      FRAC. ±1/64" .XXX ±.005      ANG. ±1° SURFACE FINISH 125 RMS MAX. U.O.S.			TITLE <b>TAB 0115TL</b> <b>LIFT TABLE, 2WB115 TANDEM</b> SHEET NO. 204127 / 006408 / 310225 DWG. NO. 006399 REV -
LETTER	DATE	BY	ECN	DESCRIPTION
REVISIONS				