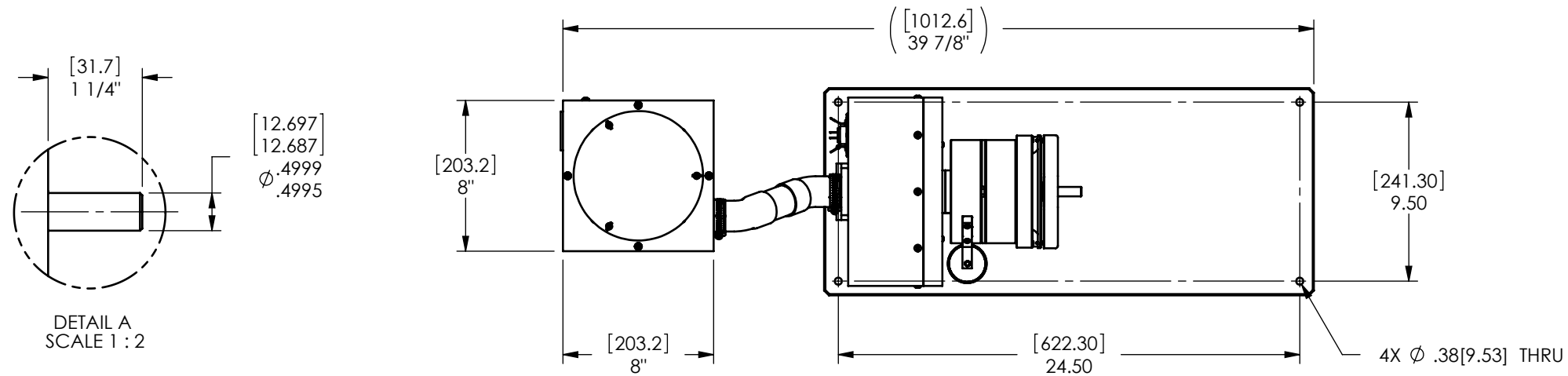
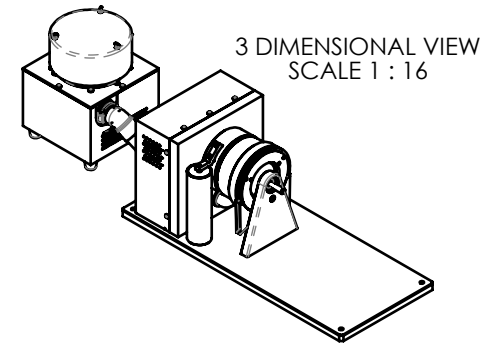
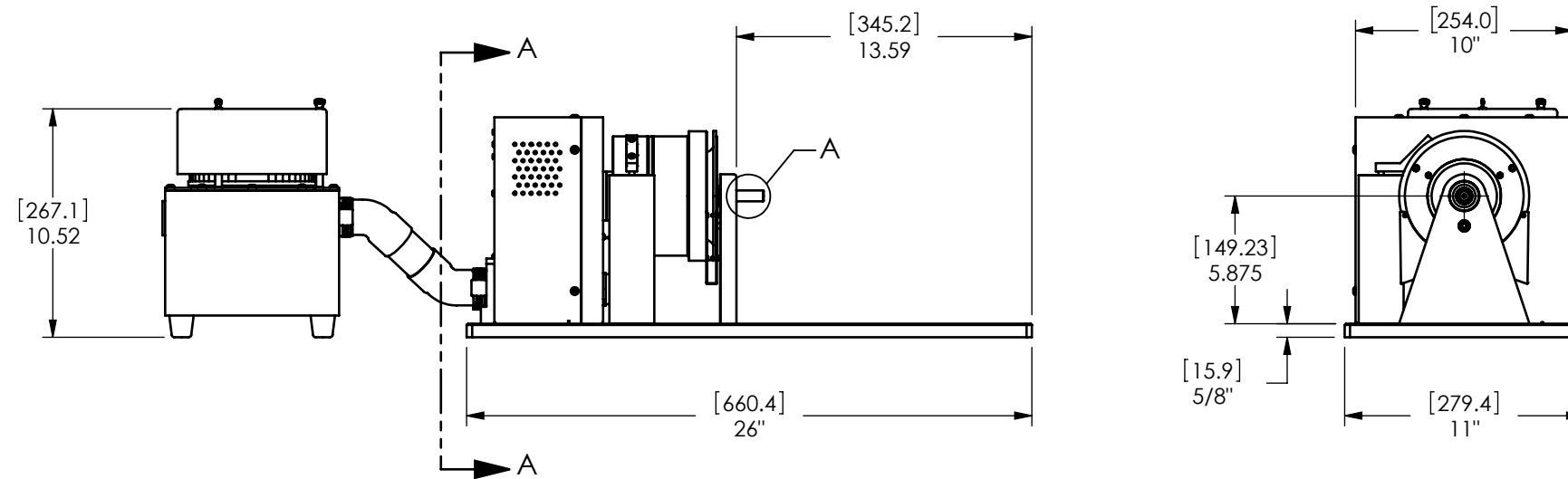
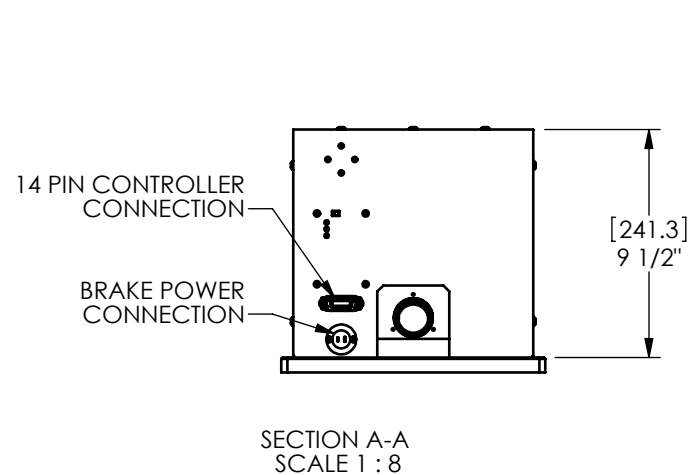


MODEL	TORQUE MEASURE UNIT CODE (-XXX)	STOCK CODE	MAXIMUM TORQUE RANGE	DRAG TORQUE DE-ENERGIZED AT 1000 RPM	NOMINAL INPUT INERTIA		MAXIMUM POWER		MAXIMUM SPEED (RPM)	COOLING METHOD	BLOWER MODEL
					(lb•ft•s ²)	(kg•m ²)	5-MINUTE (Watts)	CONTINUOUS (Watts)			
HD-710-XXX	5N	006076	3.10 N m	0.013 N m	5.51 x 10 ⁻⁴	7.47 x 10 ⁻⁴	1,500	935	25,000	BLOWER	BL-001
	5NA	006703									BL-001-A
	6N	005895	440 oz in	2.0 oz in							BL-001
	6NA	005898									BL-001-A
	7N	005896	31.0 kg cm	0.14 kg cm							BL-001
	7NA	005899									BL-001-A
	8N	005897	3.10 N m	0.013 N m							BL-001
	8NA	005900									BL-001-A

SOLID MODEL AVAILABLE



DETAIL A
SCALE 1 : 2



INSTALLATION DRAWING

MATERIAL:	DESIGN	-	-	MAGTROL INC. 70 GARDENVILLE PKWY, W. BUFFALO, NEW YORK 14224-1322
	DRAWN	JEF	01/25/07	
FINISH:	CHECKED	AJC	03/04/11	TITLE:
				HD-710 DYNAMOMETER
THIRD ANGLE PROJECTION	UNLESS OTHERWISE SPECIFIED: DIMENSIONS ARE IN INCHES DIAMETERS CONCENTRIC: .003 TIR FACES PERPENDICULAR: .003 INTERPRETATION PER ASME Y14.5M-1994 REMOVE ALL BURRS AND BREAK SHARP EDGES .005/.010 X 45° INSIDE CORNERS TO BE R .02 MAX TOLERANCES: .XX ± .01 X/Y ± 1/64" .XXX ± .005 ANG ± 1° SURFACE FINISH 125 RMS MAX			USED ON: - SIMILAR TO: -
THIS DRAWING AND SPECIFICATION CONTAINS PROPRIETARY INFORMATION TO MAGTROL INC. ANY DISCLOSURE OR REPRODUCTION OF THIS DOCUMENT WITHOUT WRITTEN AUTHORIZATION FROM MAGTROL INC. IS EXPRESSLY PROHIBITED				DWG NO:
				HD-710
				REV
				C
	SIZE	SCALE		
	B	1:8		

NOTE: DIMENSIONS IN [] ARE MILLIMETERS.