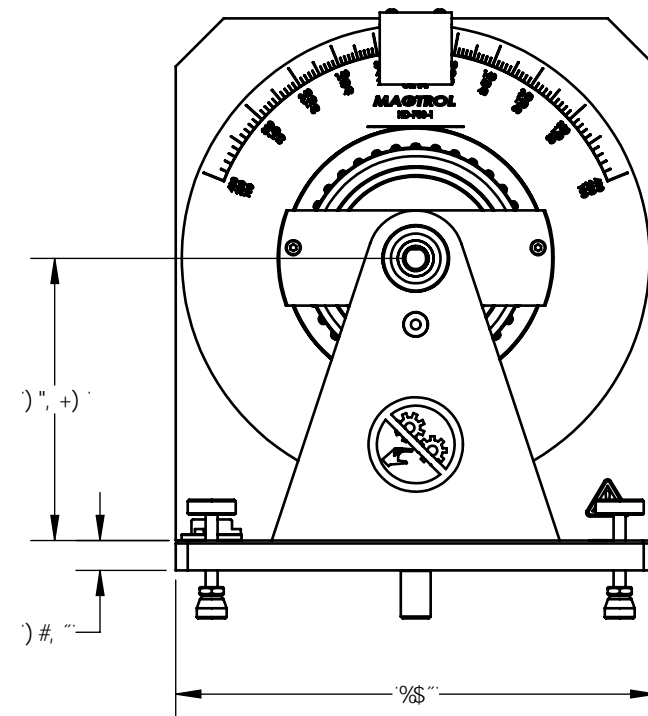
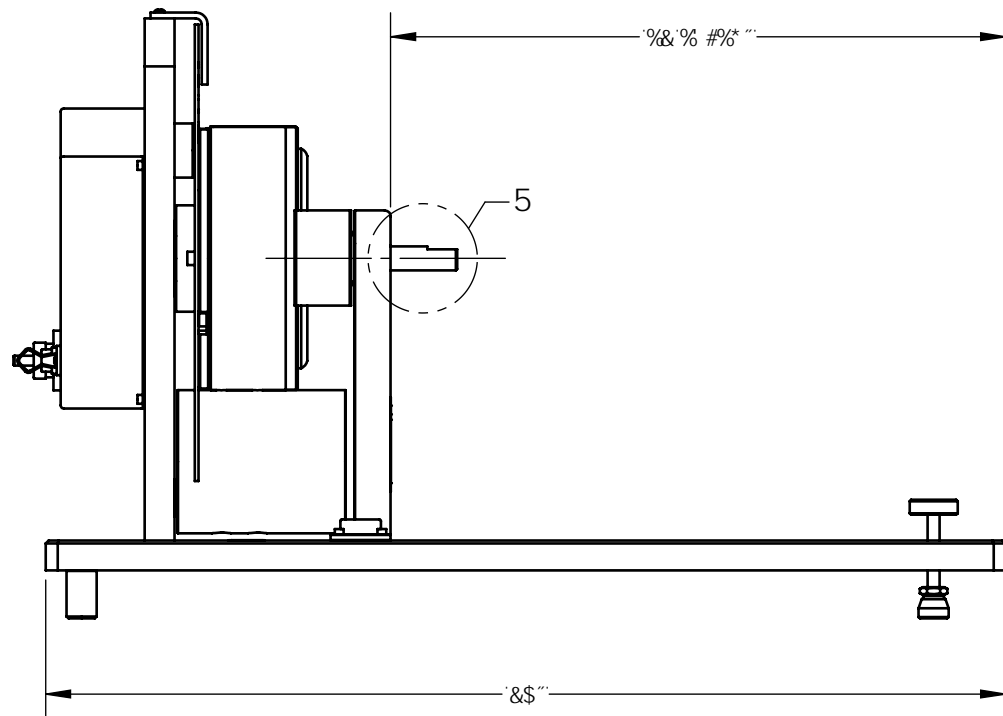
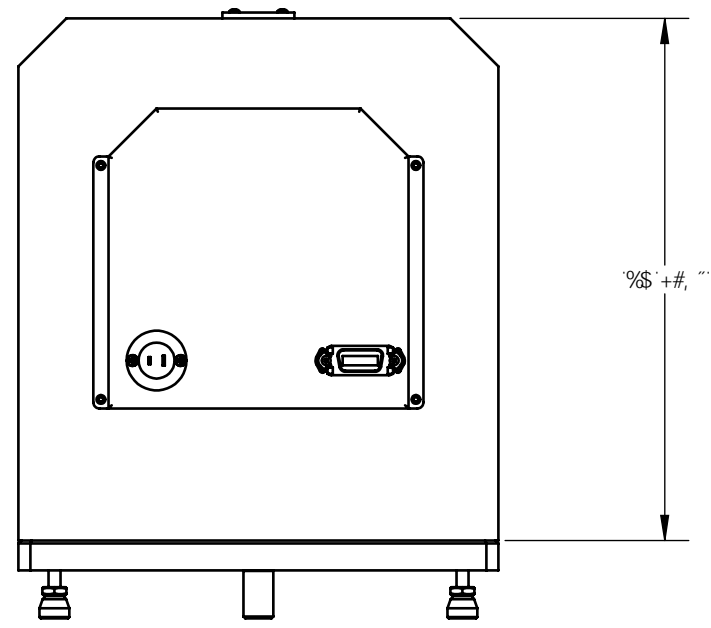
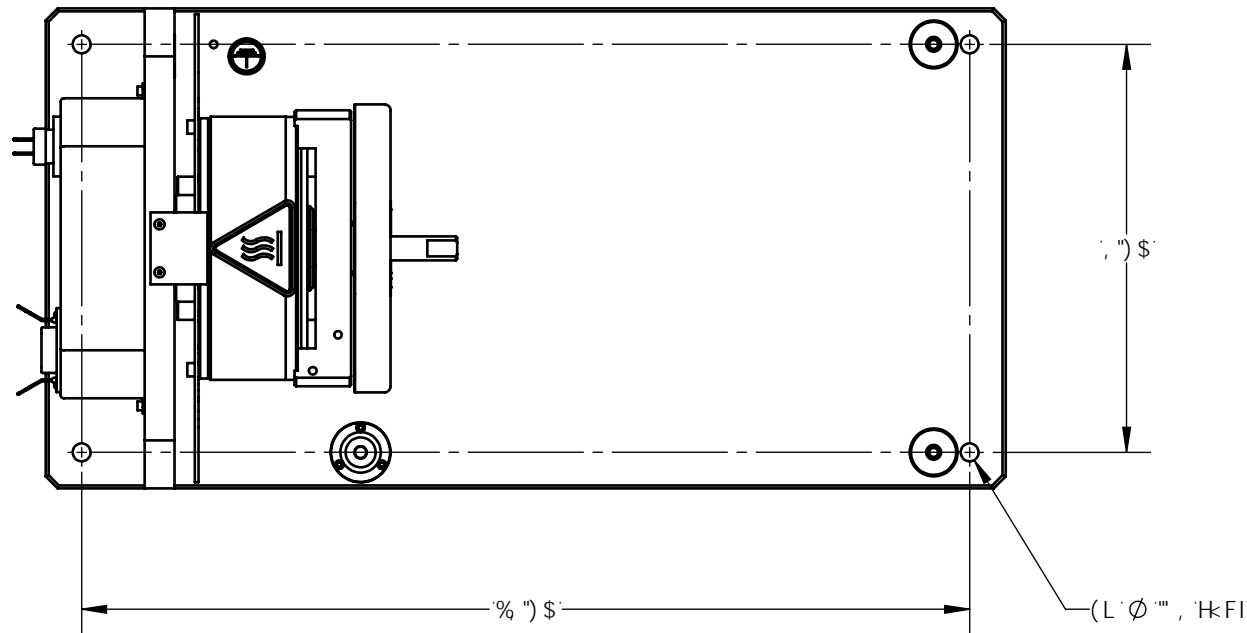
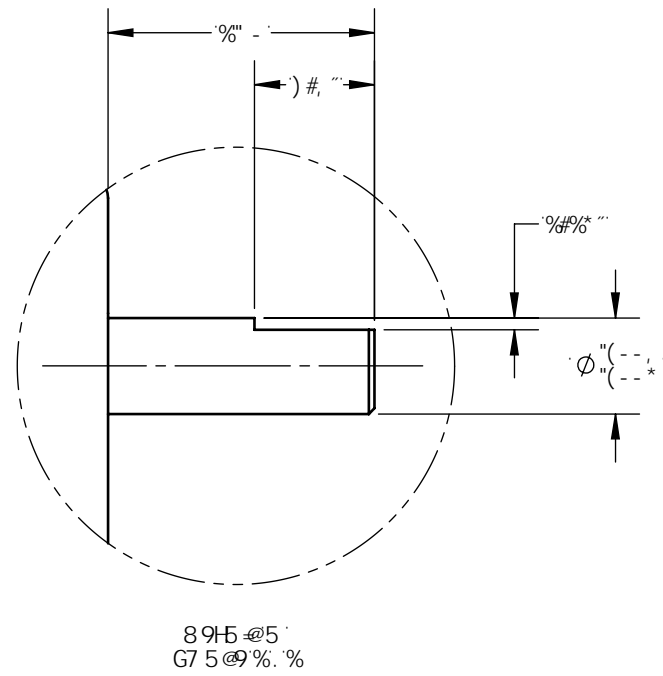


AC89@	GHC7? 7C89	:I @G75@HCFE19			A5L A1A GD998 fFDA L	?-B9H7 DCK 9' F5HB; G
<8!+\$\$!%	\$\$*' &-	%\$\$'cn"b"	&\$\$'cn"b"	(\$\$'cn"b"	%\$\$\$\$\$	+\$\$ % \$



A5HF5@	B9G+ B	!	!	A5; HFC@B7" +\$; 5F89BJ @D?K MZK" 61 : : 5@C ZB9K 'MC F? %(&&(1% &&	HHP: 8-5@K 9< <H8MB5A CA 9HFF
-B G-	BF5K B	>9	\$- #/8.#/1&		
H: F8	7 <97?98	5>7	\$- #/8.#/1&	I B @9GC H: 9K 69 GD97 = 98. 8-A 9BGC BG5F9-B B7 <9G 8-5A 9HFG7 C B7 9HF-7. "\$\$ HF : 57 9GD9F D9B8-71 @5F. "\$\$ BHFDF 9H5HC B D9F 5GA 9 M(A) A 1% - (FGA C: J 95 @61 FFG5B8 6F95? C<-5FD98: 9G'S\$) #S\$S L () S BG897 CFB9FGHC 69F "\$A 5L HC @F5B7 9G "LL - "\$\$ L#M- %/8 (" "LLL - "\$\$ LS - % G F: 57 9: -B G< %&) FA GA 5L	I ORC B: I GA: 45 HC: I BK: BC:
DFC >97 HC B	H-68F5K @: 5B8 GD97 = 75HC B 7C8H5 8GGDFC DF 98FMB: CFA 5HC B HC A 5: HFC @B7" 5BMB 67 @C G F9 CF F9DFC 81 7HC B C: H-68C 71 A 9BH K H-C1 HK F H8B 51 H: C F 85HC B: FCA A 5: HFC @B7" G 9LDF 9GGMDFC < 6H8B	<8!+\$\$!%			
	7	%	G: 99A:	&C: &	