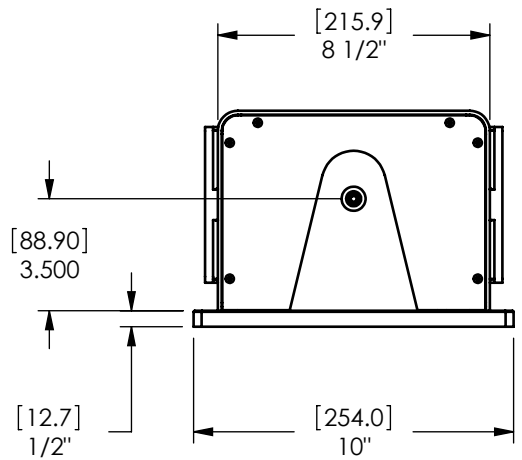
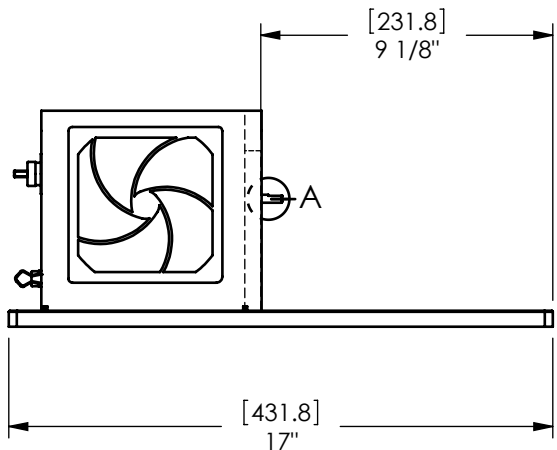
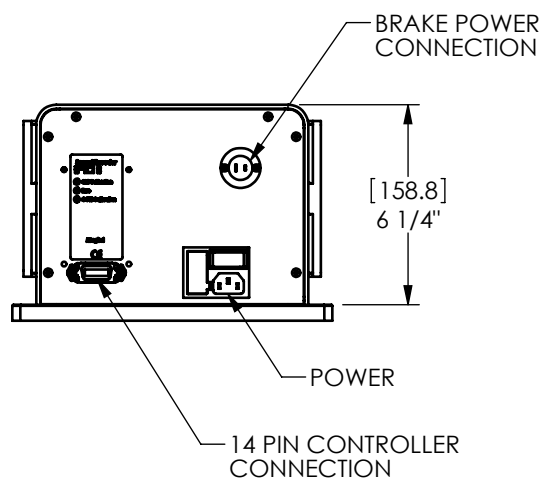
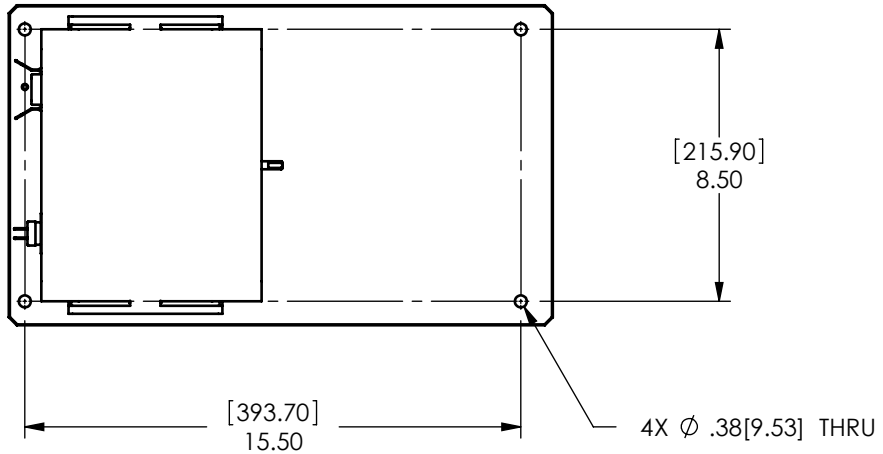
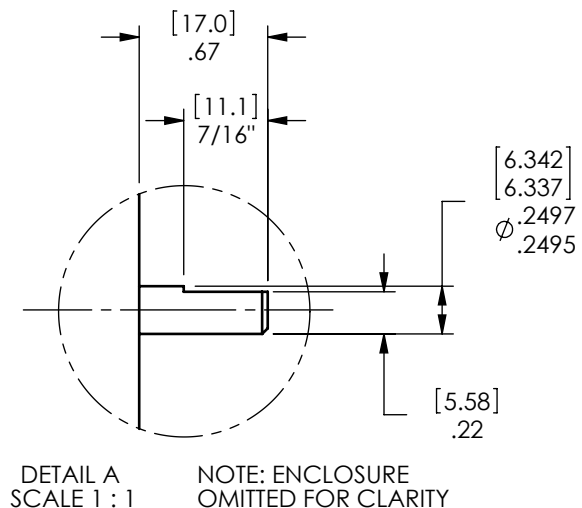
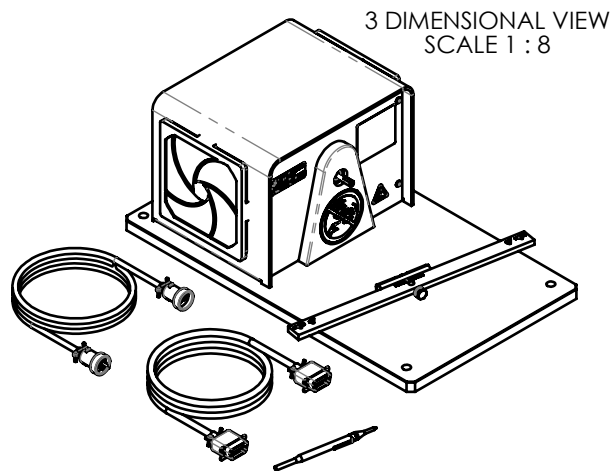


MODEL	TORQUE MEASURE UNIT CODE (-XXX)	STOCK CODE	MAXIMUM TORQUE RANGE	DRAG TORQUE DE-ENERGIZED AT 1000 RPM	NOMINAL INPUT INERTIA		MAXIMUM POWER		MAXIMUM SPEED (RPM)	COOLING	FAN DESCRIPTION
					(lb•ft•s <sup>2</sup> )	(kg•m <sup>2</sup> )	5-MINUTE (Watts)	CONTINUOUS (Watts)			
HD-400-XXX	5N	006632	0.280 N m	2.0 mN m	1.55 x 10 <sup>-5</sup>	2.10 x 10 <sup>-5</sup>	200	55	25,000	CONVECTION	115V
	5NA	006633									220V
	6N	004013	40.0 oz in	0.25 oz in							115V
	6NA	004016									220V
	7N	004014	2.80 kg cm	0.02 kg cm							115V
	7NA	004017									220V
	8N	004015	280 mN m	2.0 mN m							115V
	8NA	004018									220V

**SOLID MODEL AVAILABLE**



NOTE: DIMENSIONS IN [ ] ARE MILLIMETERS.

**INSTALLATION DRAWING**

MATERIAL:	DESIGN	-	-		<b>MAGTROL INC.</b> 70 GARDENVILLE PKWY, W. BUFFALO, NEW YORK 14224-1322		
-	DRAWN	AJC	06/27/02		TITLE:	HD-400 DYNAMOMETER	
FINISH:	CHECKED	DTW	06/27/02	USED ON: -	SIMILAR TO: -		
THIRD ANGLE PROJECTION	UNLESS OTHERWISE SPECIFIED: DIMENSIONS ARE IN INCHES DIAMETERS CONCENTRIC: .003 TIR FACES PERPENDICULAR: .003 INTERPRETATION PER ASME Y14.5M-1994 REMOVE ALL BURRS AND BREAK SHARP EDGES .005/.010 X 45° INSIDE CORNERS TO BE R .02 MAX TOLERANCES: .XX ± .01 X/Y ± 1/64" .XXX ± .005 ANG ± 1° SURFACE FINISH 125 RMS MAX			DWG NO:	HD-400	REV B	
THIS DRAWING AND SPECIFICATION CONTAINS PROPRIETARY INFORMATION TO MAGTROL INC. ANY DISCLOSURE OR REPRODUCTION OF THIS DOCUMENT WITHOUT WRITTEN AUTHORIZATION FROM MAGTROL INC. IS EXPRESSLY PROHIBITED				SIZE	B	SCALE	1:6