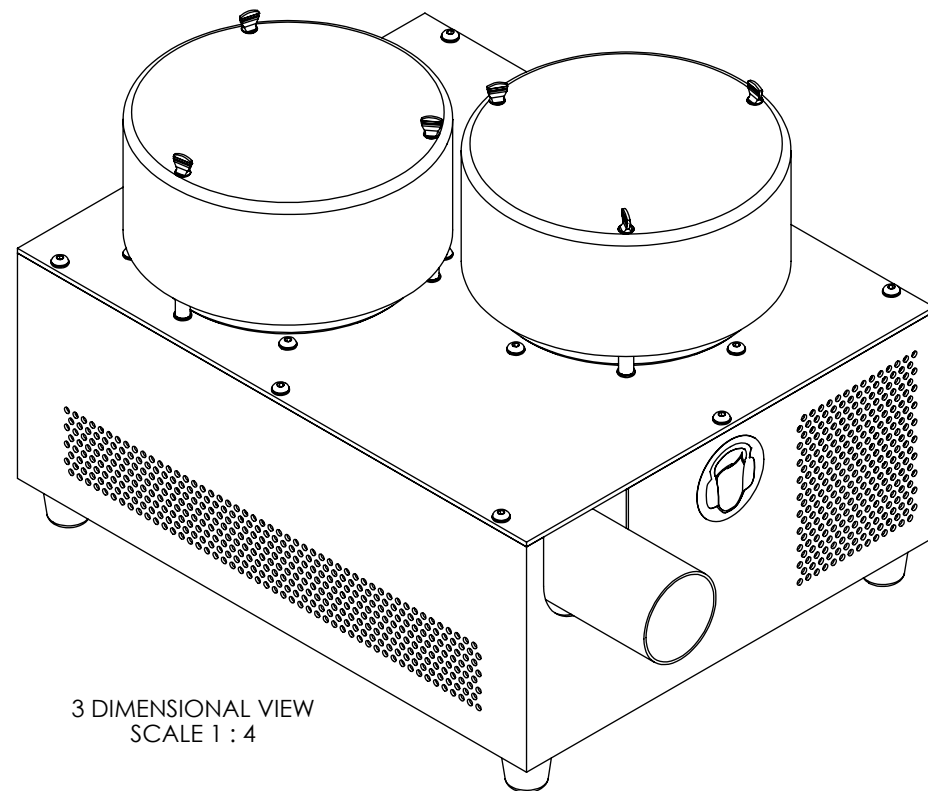
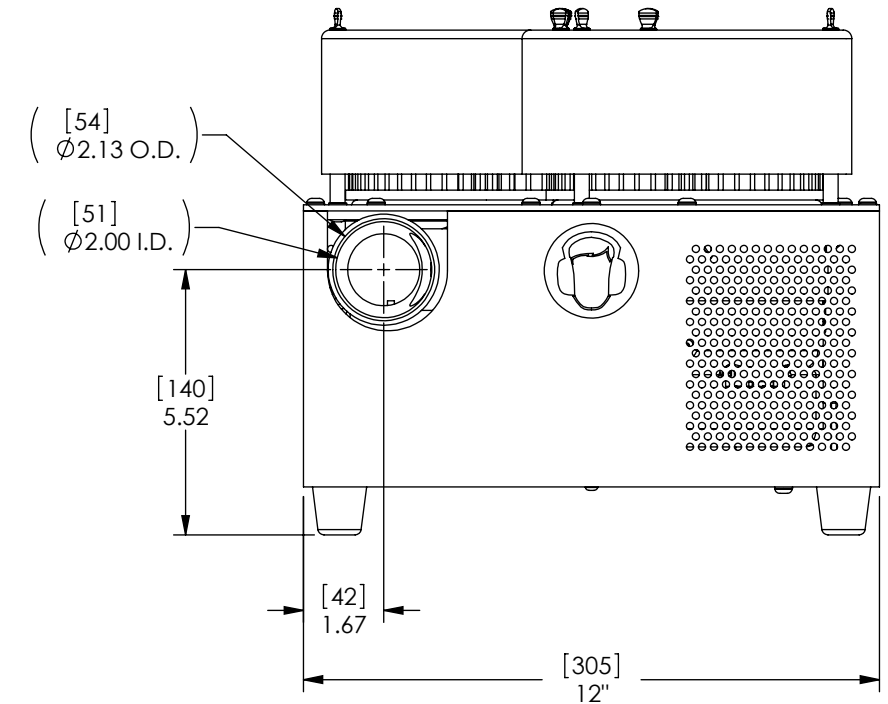
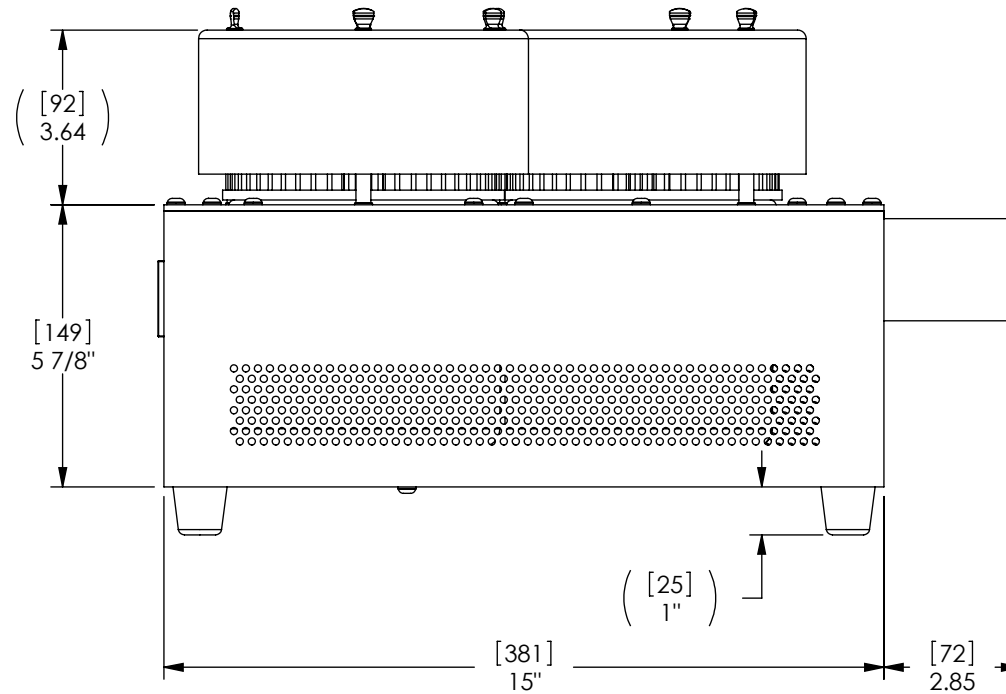
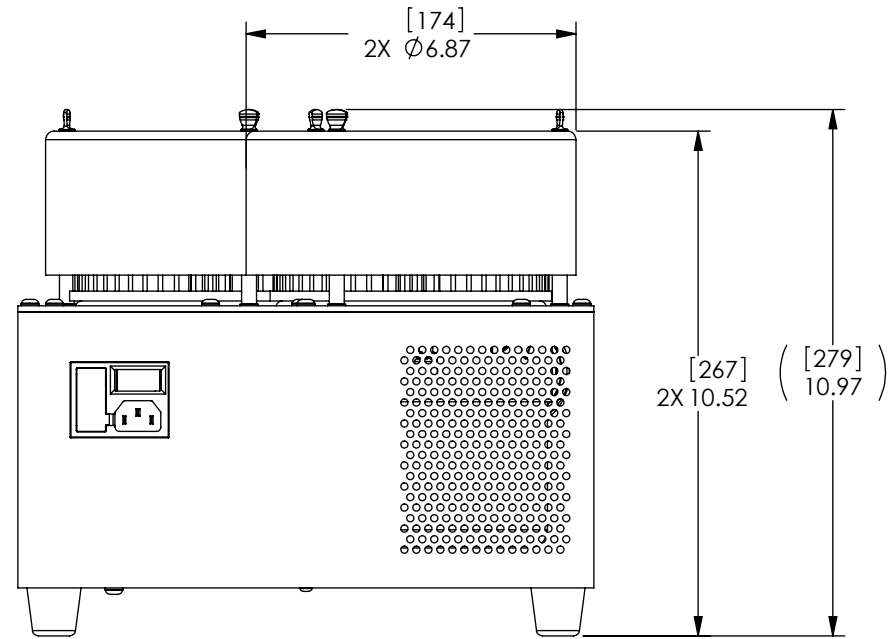


MODEL	STOCK CODE	VOLTAGE	VA	STYLE	RATING
BL-002	803294	120V	1000	UL/CSA	15A 250V SB
BL-002A	803295	240V	1000	IEC	6.3A 250V T


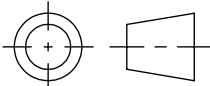
TYPICAL SOUND PRESSURE AT 1 METER: 90db



WARNING: HIGH SOUND LEVELS CAN CAUSE PERMANENT HEARING LOSS. USE HEARING PROTECTION WHILE THIS PRODUCT IS IN USE.



3 DIMENSIONAL VIEW
SCALE 1 : 4

MATERIAL:	DESIGN	-	-	 MAGTROL INC. 70 GARDENVILLE PKWY, W. BUFFALO, NEW YORK 14224-1322
	DRAWN	AJC	04/08/08	
FINISH:	CHECKED	JEF	04/08/08	TITLE
	UNLESS OTHERWISE SPECIFIED: DIMENSIONS ARE IN INCHES, DIAMETERS CONCENTRIC: .003 TIR, FACES PERPENDICULAR: .003 INTERPRETATION PER ASME Y14.5M-1994 REMOVE ALL BURRS AND BREAK SHARP EDGES .005/.010 X 45°, ALL INSIDE CORNERS TO BE .02 R MAX. TOLERANCES: .XX ± .01 FRAC. ± 1/64" .XXX ± .005 ANG. ± 1° SURFACE FINISH 125 RMS MAX. U.O.S.			BLOWER ASSEMBLY
THIRD ANGLE PROJECTION				USED ON: - SIMILAR TO: -
THIS DRAWING AND SPECIFICATION CONTAINS PROPRIETARY INFORMATION TO MAGTROL INC. ANY DISCLOSURE OR REPRODUCTION OF THIS DOCUMENT WITHOUT WRITTEN AUTHORIZATION FROM MAGTROL INC. IS EXPRESSLY PROHIBITED				DWG. NO.
				BL-002 (-A)
				REV
				A
SIZE	SCALE	SHEET #		
B	1:4	5 OF 5		