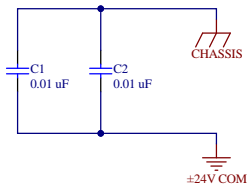
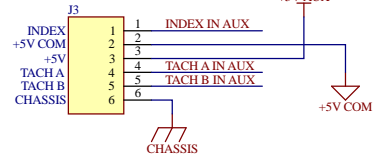


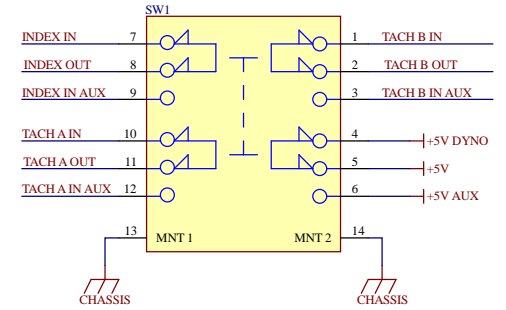
GROUND CIRCUIT



**IN
AUX ENCODER
6-POS Screw Terminal**



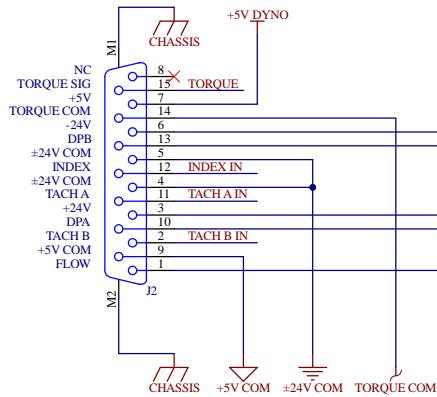
4PDT SWITCH



**IN
DYNO / TM / TLR**



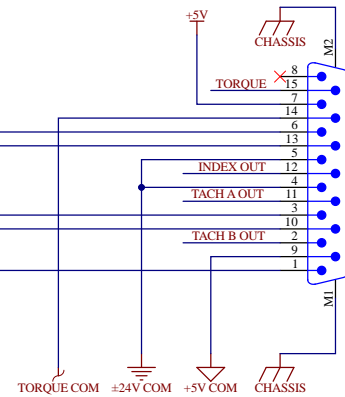
DSUB-15 Female



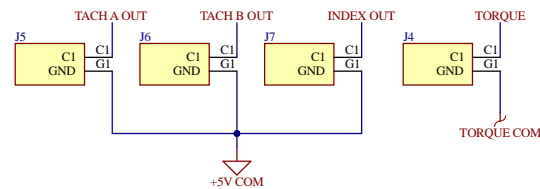
**OUT
CONTROLLER / READOUT**



DSUB-15 Male



**OUT
BNCs**



<small>THIS DRAWING AND SPECIFICATION CONTAINS PROPRIETARY INFORMATION TO MAGTROL, INC. ANY DISCLOSURE OR REPRODUCTION OF THIS DOCUMENT WITHOUT WRITTEN AUTHORIZATION FROM MAGTROL, INC. IS EXPRESSLY PROHIBITED.</small>				Magtrol, Inc. 70 Gardenville Pkwy. Buffalo, NY 14224	
DRAWN BY:	GAD	DATE:	08/09/22	TITLE: SBB 15 MAIN	
APPROVED BY:	DAG	DATE:	08/09/22	SIZE:	B
CHECKED BY:	GAD	DATE:	08/09/22	CAGE CODE:	03692
				DWG NO.:	78B266
				REV.:	A
				REL.:	0
SCALE: NONE				Sheet 2 of 2	