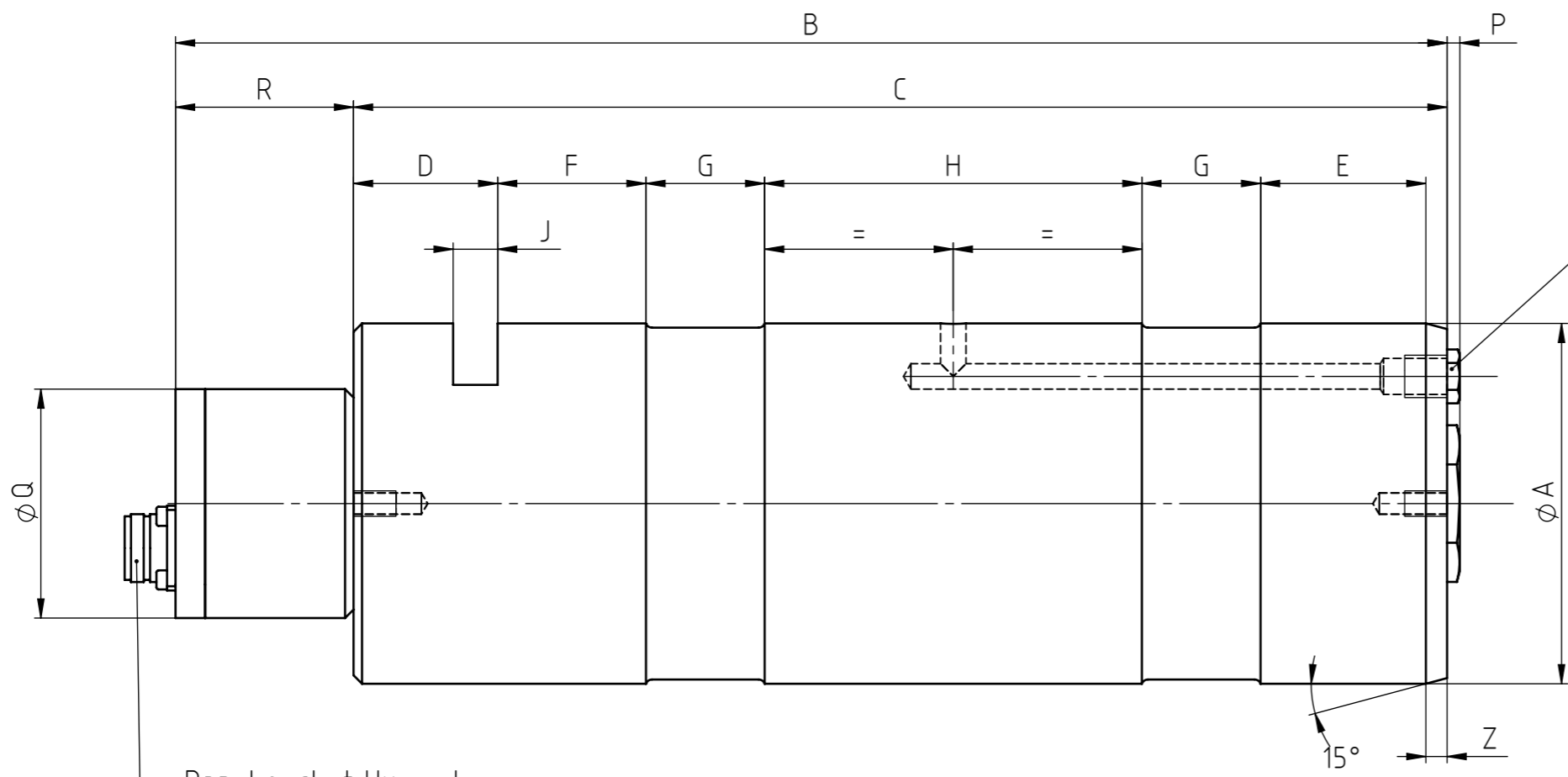
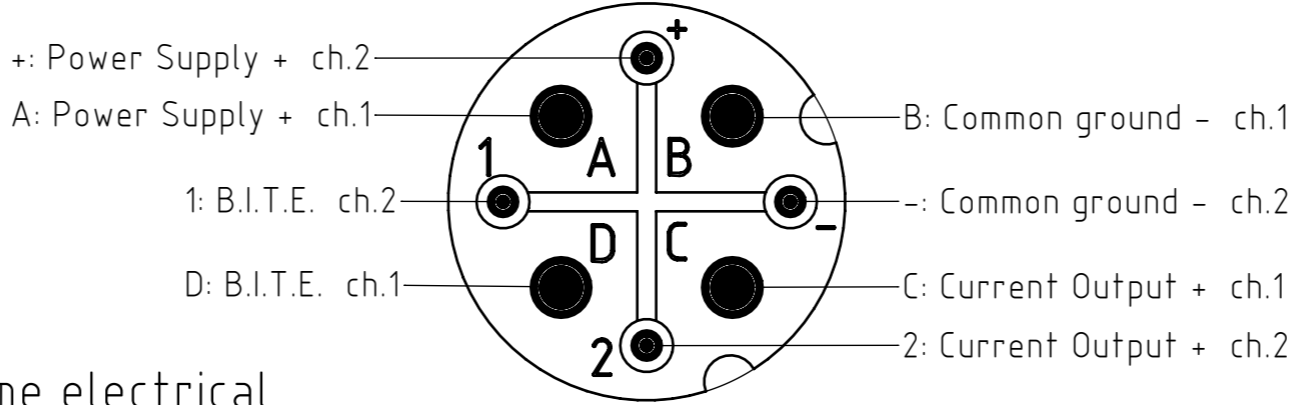
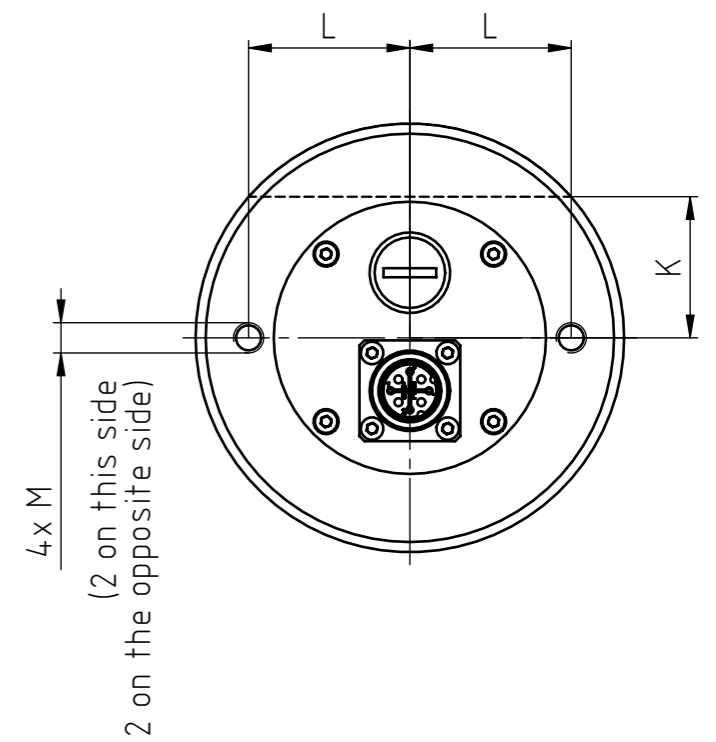


THE INFORMATION DISCLOSED HEREIN WAS ORIGINATED BY AND IS THE PROPERTY OF MAGTROL SA. MAGTROL SA RESERVES ALL PATENT PROPRIETARY, DESIGN, USE, SALE, MANUFACTURING AND REPRODUCTION RIGHTS THERETO.



TYPE LE	GREASER
LE 616 to LE 617	Ø4, DIN 3405 D Type D1a
LE 618 to LE 621	M10x1, DIN 3405A Type D1



Including customer version with the same electrical characteristic but with different dimensions

TYPE LE	ØA h6	B	C	D	E	F	G	H	J	K	L	M	P	ØQ	R	Z
LE 616	50	203	161	32	24	18	18	48	10.5	20	-	-	3	54	42	3
LE 617	65	238	196	32	26	20	25	65	10.5	22.5	-	-				
LE 618	85	300	258	34	39	35	28	89	10.5	28	32	M6				
LE 620	100	389	347	36	61	55	35	120	10.5	36	35	M8				
LE 621	120	389	347	36	61	55	35	120	12.5	40	35	M8				

6																			
5																			
4																			
3																			
2																			
1																			
Rev.	Date	PM	Drawn	Appr.	Repl. by : .														
					Repl. for: .														
Tolerances: ± . mm to 50mm, ± . mm over 50mm																			
Material: 1.4057																			
Finish: Dual channel																			
LOAD MEASURING PIN WITH ELECTRONIC 4-20 mA																			
DRAWING N°																			
P/N: 422-6XX-000-101 TYPE: LE 6XX/101																			
422-610-000V101																			

