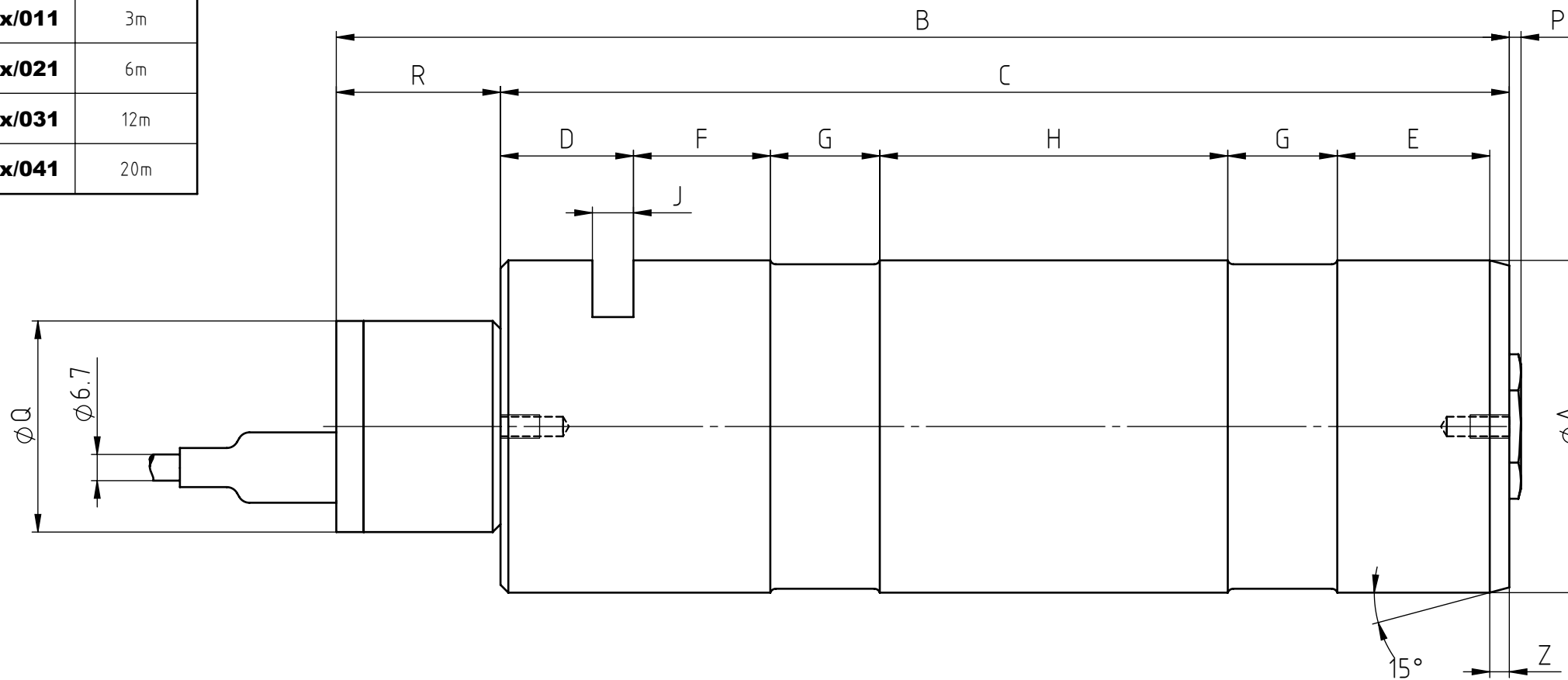
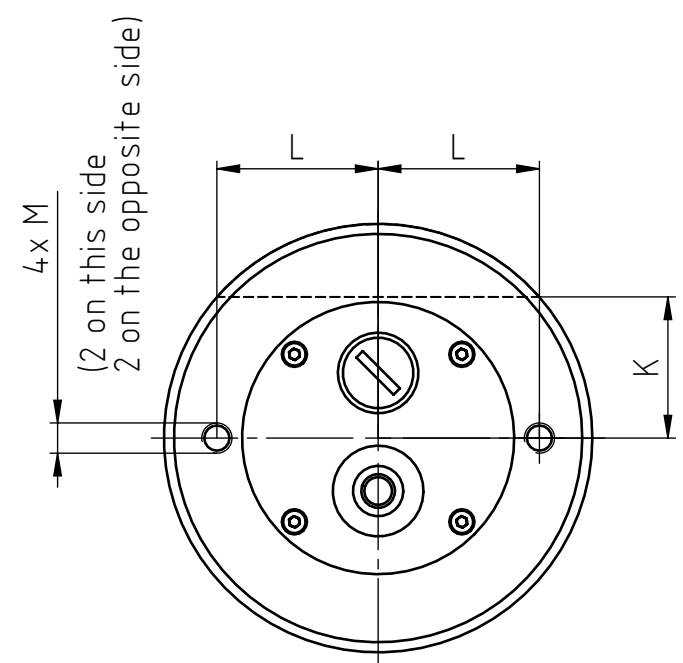


THE INFORMATION DISCLOSED HEREIN WAS ORIGINATED BY AND IS THE PROPERTY OF MAGTROL SA. MAGTROL SA RESERVES ALL PATENT PROPRIETARY, DESIGN, USE, SALE, MANUFACTURING AND REPRODUCTION RIGHTS THERETO.

TYPE LE	CABLE LENGTH
LE 6xx/011	3m
LE 6xx/021	6m
LE 6xx/031	12m
LE 6xx/041	20m



Including customer version with the same electrical characteristic but with different dimensions



- Power Supply + : red
 - Common ground - : blue
 - Current Output + : white
 - B.I.T.E. : green
- } ch.1
- Power Supply + : brown
 - Common ground - : black
 - Current Output + : grey
 - B.I.T.E. : yellow
- } ch.2
- Case/Shield : yellow/black

TYPE LE	ØA h6	B	C	D	E	F	G	H	J	K	L	M	P	ØQ	R	Z
LE 610	25	141	84	18	16	10	7	24	5.2	9			3	54	57	2
LE 611																
LE 612																
LE 613																
LE 614	35	154	112	25	14	12	12	35	6.3	11.5						
LE 616	50	203	161	32	24	18	18	48	10.5	20						
LE 617	65	238	196	32	26	20	25	65	10.5	22.5						
LE 618	85	300	258	34	39	35	28	89	10.5	28	32	M6				
LE 620	100	389	347	36	61	55	35	120	10.5	36	35	M8				
LE 621	120	389	347	36	61	55	35	120	12.5	40	35	M8				

6							
5							
4							
3							
2							
1							
Rev.	Date	PM	Drawn	Appr.	Repl. by :		
					Repl. for :		
Tolerances: ± . . mm to 50mm, ± . . mm over 50mm							
Material: 1.4057							
Finish: Dual channel							
LOAD MEASURING PIN WITH ELECTRONIC 4-20 mA							
P/N: 422-6XX-000-0X1				TYPE: LE 6XX/0X1			

Scale 1:1.5

MAGTROL

Drawn	18.12.2014	ajoy
Checked	18.12.2014	ydaf
Approved	18.12.2014	blot

DRAWING N° 422-610-000V011