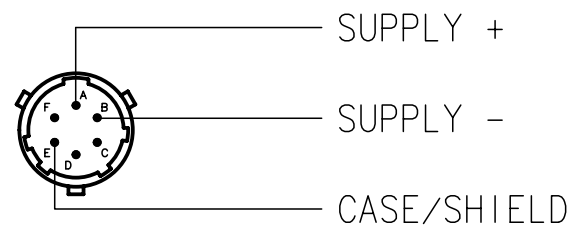
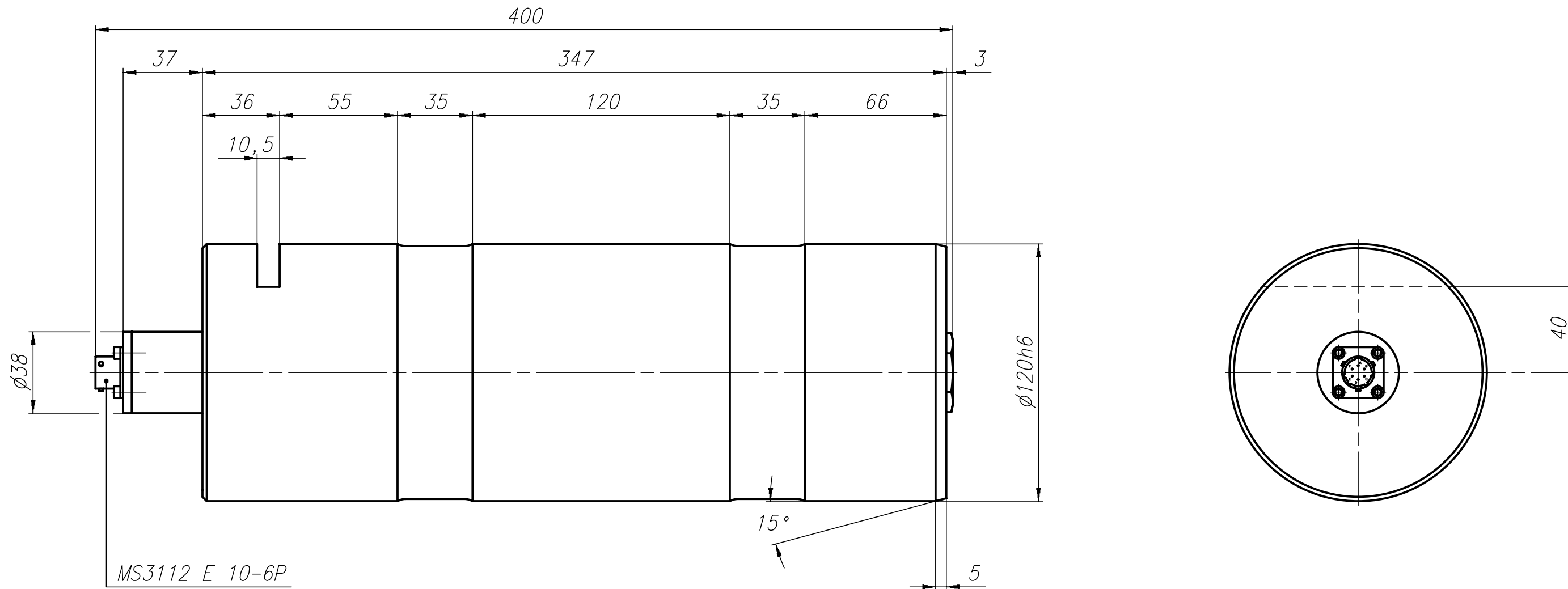


THE INFORMATION DISCLOSED HEREIN WAS ORIGINATED BY AND IS THE PROPERTY OF MAGTROL SA. MAGTROL SA RESERVES ALL PATENT, PROPRIETARY, DESIGN, USE, SALE, MANUFACTURING AND REPRODUCTION RIGHTS THERETO.



6										
5										
4										
3										
2										
1										
Rev.	Date	PM	Drawn	Appr.	Repl. by :			<b>MAGTROL SA</b>		
					Repl. for: 422-221-000V011 (PM-02086)					
Tolerances: ± mm to 50 mm; ± mm over 50 mm							Scale <b>1:2</b>	Drawn	02.04.03	C.S.
Material: 1.4057								Checked		
Finish :								Approved	08.04.03	N.Buri
LOAD MEASURING PIN WITH ELECTRONIC 4-20 mA 1250kN							DRAWING N°		<b>422-221-000V013</b>	
P/N: 422-221-000-01X				TYPE: LE 221/01X						