

THE INFORMATION DISCLOSED HEREIN WAS ORIGINATED BY AND IS THE PROPERTY OF MAGTROL SA. MAGTROL SA RESERVES ALL PATENT PROPRIETARY, DESIGN, USE, SALE, MANUFACTURING AND REPRODUCTION RIGHTS THERETO.

1

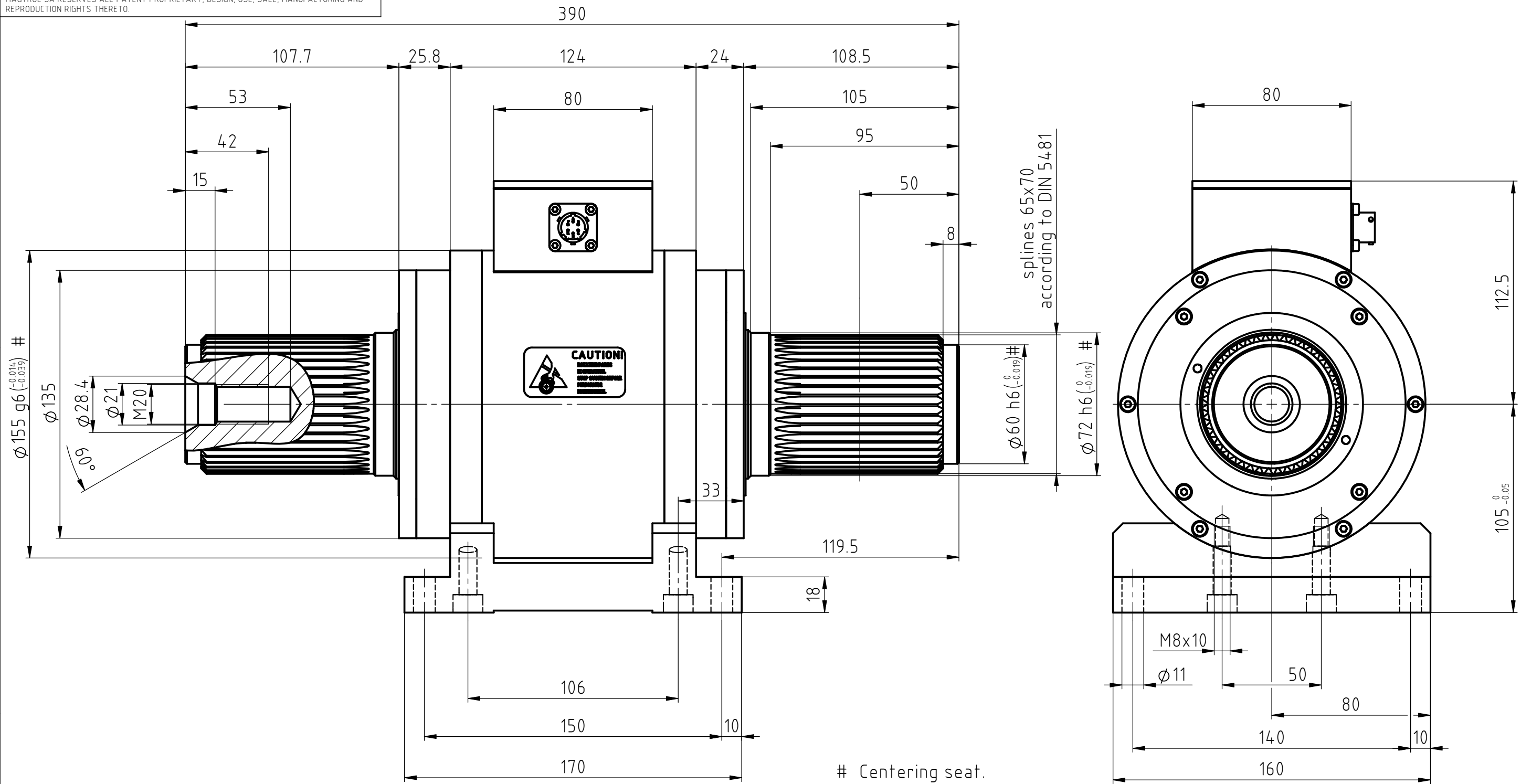
2

3

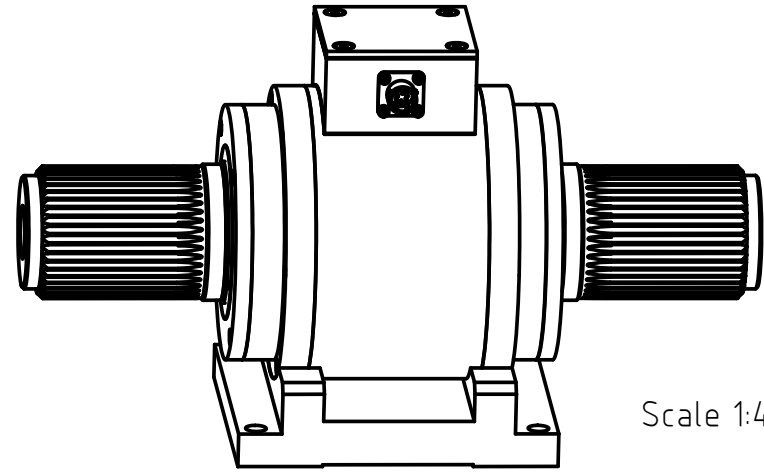
1

2

3



Centering seat.



Scale 1:4

6						
5						
4						
3						
2						
1						

Rev.	Date	PM	Drawn	Appr.	Repl. by :										
					Repl. for:										
Tolerances: \pm mm to 50mm, \pm mm over 50mm															
Material:						Scale 1:2									
Finish:						<table border="1"> <tr> <td>Drawn</td> <td>09.12.04</td> <td>J.Sottaz</td> </tr> <tr> <td>Checked</td> <td></td> <td></td> </tr> <tr> <td>Approved</td> <td>09.12.04</td> <td>N.Buri</td> </tr> </table>	Drawn	09.12.04	J.Sottaz	Checked			Approved	09.12.04	N.Buri
Drawn	09.12.04	J.Sottaz													
Checked															
Approved	09.12.04	N.Buri													

TORQUE TRANSDUCER TM 317
SPLINED SHAFT ENDS

DRAWING N°
415-317-000V021

A

B

C

D